

Banana Jacks

APPLICATION • Test Equipment • Power Supplies



INCHES (MILLIMETERS)
CUSTOMER DRAWINGS AVAILABLE UPON REQUEST

Uninsulated Standard Type: Slotted Lug Terminal

SPECIFICATIONS

Jack Body: Brass per QQ-B-626D

Finish: Nickel

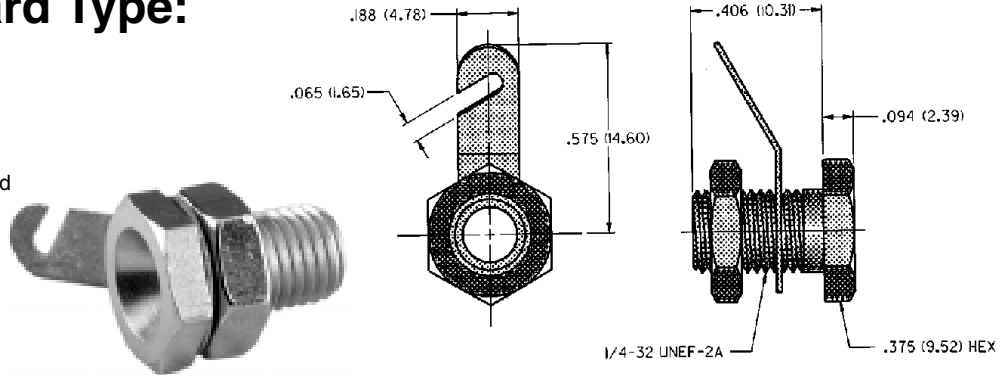
Hardware: Nickel plated nut; stamped tin plated solder terminal (unassembled)

Panel Thickness: Up to .250 (6.35)

RATINGS

Current: 15 amps

Contact Resistance: 0.010 ohms maximum



For Standard Banana Plug: .175 (4.44) Across Flats

FEATURES:

- Accepts up to 12 gauge wire
- Hex head for faster installation
- For higher current designs

NICKEL PLATING	
PART NO.	
108-0740-102	

Insulated Rib-Loc® Solder Terminal

SPECIFICATIONS

Contact: Formed brass per QQ-B-626D

Finish: Bright tin

Body: Nylon 6/6 per ASTM D4066

Panel Thickness: Up to .250 (6.35)

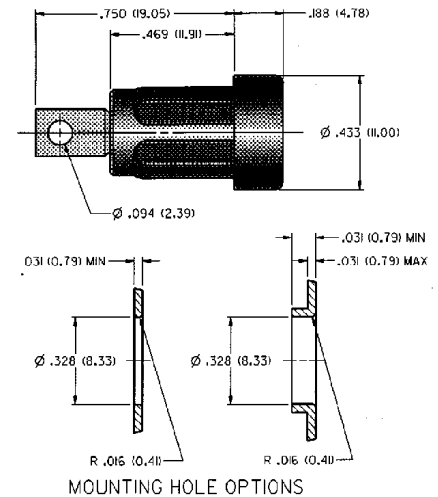
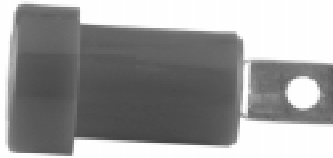
RATINGS

Current: 15 amps

Breakdown Voltage: 7000 Vrms minimum †

Contact Resistance: 0.010 ohms maximum

Contact-To-Panel C: 2.4 pF nominal



For Standard Banana Plug: .175 (4.44) Across Flats

FEATURES:

- Requires no mounting hardware
- Accepts up to 16 gauge wire
- Nylon UL approved for self extinguishing

BRIGHT TIN PLATING			
PART NO.	COLOR	PART NO.	COLOR
108-2301-801	White	108-2304-801	Green
108-2302-801	Red	108-2307-801	Yellow
108-2303-801	Black	108-2310-801	Blue

Insulated Turret Terminal

SPECIFICATIONS

Contact: Machined brass per QQ-B-626D

Finish: Silver

Body: Nylon 6/6 per ASTM D4066

Hardware: Nickel plated nut (unassembled)

Body Thread Stripping Torque: 6.0 lb. in. (7kg. cm.)

Panel Thickness: Up to .343 (8.80)

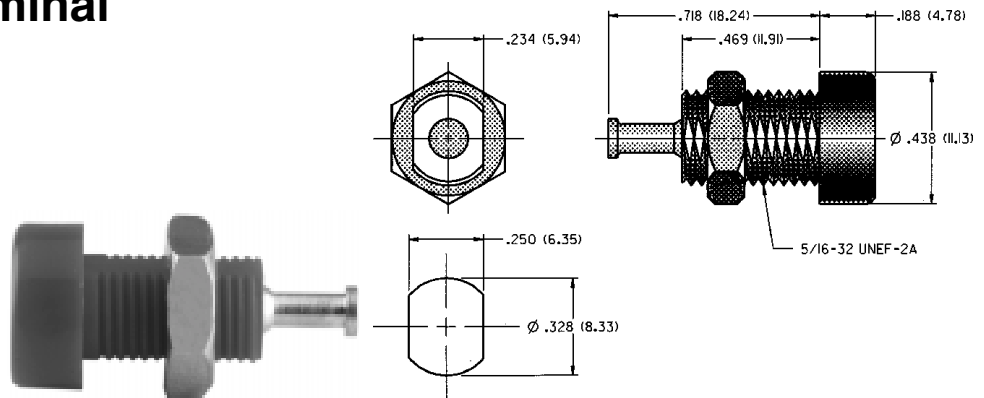
RATINGS

Current: 15 amps

Breakdown Voltage: 7000 Vrms minimum †

Contact Resistance: 0.010 ohms maximum

Contact-To-Panel: 2.4 pF nominal



MOUNTING HOLE LAYOUT

For Standard Banana Plug: .175 (4.44) Across Flats

FEATURES:

- Keyed mounting with double flats
- Nylon UL approved for self extinguishing

SILVER PLATING			
PART NO.	COLOR	PART NO.	COLOR
108-2301-621	White	108-2304-621	Green
108-2302-621	Red	108-2307-621	Yellow
108-2303-621	Black	108-2310-621	Blue

† Avoid user injury due to misapplication. See safety advisory definitions on page 2.