

Housing - HC-B 24-TFQ-76/O2ST29G - 1679045

Please be informed that the data shown in this PDF Document is generated from our Online Catalog. Please find the complete data in the user's documentation. Our General Terms of Use for Downloads are valid (<http://phoenixcontact.com/download>)



Sleeve housing, for double locking latch, height 76 mm, without screw connection, 2x Pg29, straight cable entry



Key Commercial Data

Packing unit	1 pc
Weight per Piece (excluding packing)	292.26 g
Custom tariff number	85389099
Country of origin	Germany

Technical data

Dimensions

Height	76 mm
Width	43 mm
Length	120 mm

Ambient conditions

Degree of protection of housing (IP)	IP65
Ambient temperature (operation)	-40 °C ... 125 °C

General

Note	For contact inserts HC-B24, BB46, BBB64, D64, DD108, M
Size	B24
Housing type	Sleeve housing
Locking type	For double locking latch
Cable exit	straight
Screw connection	none
Type of the screw connection	2x Pg29
Housing material	Aluminum die-cast

Housing - HC-B 24-TFQ-76/O2ST29G - 1679045

Technical data

General

Housing surface material	Powder-coated, gray
--------------------------	---------------------

Classifications

eCl@ss

eCl@ss 4.0	27140816
eCl@ss 4.1	27140816
eCl@ss 5.0	27143424
eCl@ss 5.1	27143424
eCl@ss 6.0	27143424
eCl@ss 7.0	27440209

ETIM

ETIM 2.0	EC000437
ETIM 3.0	EC000437
ETIM 4.0	EC000437
ETIM 5.0	EC000437

UNSPSC

UNSPSC 6.01	31261502
UNSPSC 7.0901	31261502
UNSPSC 11	31261502
UNSPSC 12.01	31261502
UNSPSC 13.2	31261502

Approvals

Approvals

Approvals

EAC

Ex Approvals

Approvals submitted

Housing - HC-B 24-TFQ-76/O2ST29G - 1679045

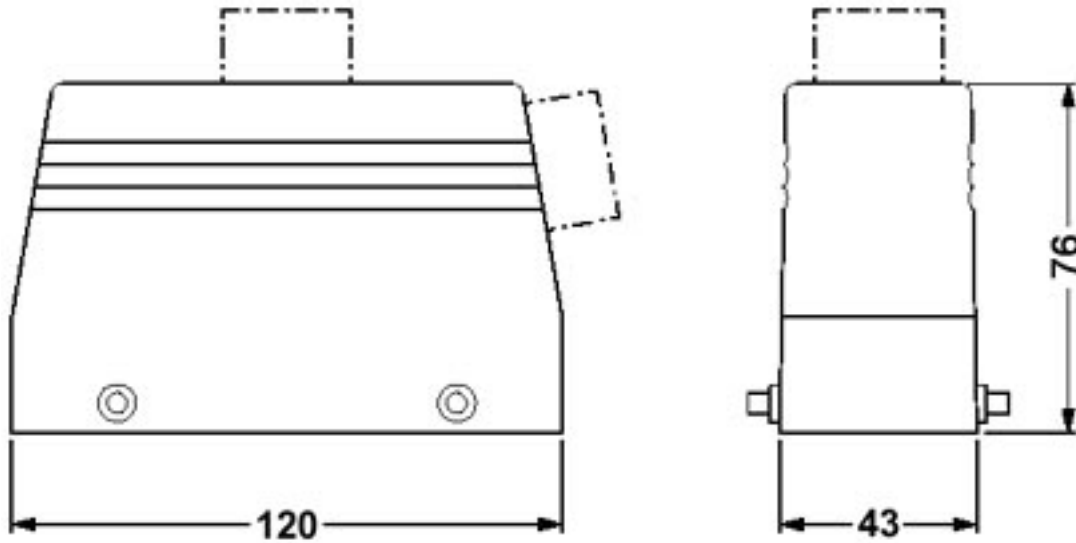
Approvals

Approval details

EAC

Drawings

Dimensional drawing



Mouser Electronics

Authorized Distributor

Click to View Pricing, Inventory, Delivery & Lifecycle Information:

[Phoenix Contact:](#)

[1679045](#)