

# Contact insert - VC-D2-BU30-PE-R - 1884791

Please be informed that the data shown in this PDF Document is generated from our Online Catalog. Please find the complete data in the user's documentation. Our General Terms of Use for Downloads are valid (<http://phoenixcontact.com/download>)

Female contact carrier, for rolled crimp contacts, type VC 2, 30-pos. + PE




## Why buy this product

- Positions 15, 30, 50, and 65 are available, in accordance with housing sizes VC 1 - VC 4.
- Contact types meet the requirements of IEC 60352/DIN EN 60352
- Contact carriers have two further capacitive PE contacts
- Pin and socket contacts can be used on both the plug and device sides
- The connection data of 250 V/10 A corresponds to that of the HEAVYCON DD series



## Key Commercial Data

Packing unit	10 pc
Minimum order quantity	10 pc
GTIN	 4 017918 164867
Weight per Piece (excluding packing)	41.36 g
Custom tariff number	85369010
Country of origin	Poland
Note	Made to Order (non-returnable)

## Technical data

### Electrical characteristics

Note	Connectors may only be connected/disconnected when under no load.
Rated voltage	250 V
Rated voltage (III/3)	250 V
Rated current	10 A
	10 A
Rated surge voltage	4 kV
Number of positions	30

### Ambient conditions

# Contact insert - VC-D2-BU30-PE-R - 1884791

## Technical data

### Ambient conditions

Ambient temperature (operation)	-40 °C ... 125 °C
---------------------------------	-------------------

### Mechanical characteristics

Conductor cross section	0.14 mm <sup>2</sup> ... 1.5 mm <sup>2</sup> (stranded)
Connection cross section AWG	22 ... 16
Stripping length of the individual wire	8 mm
Conductor cross section flexible max.	1.5 mm <sup>2</sup>
Insertion/withdrawal cycles	>= 500

### General

Type	VC2
Series	VC-D
Connection method	Crimp connection
Inflammability class according to UL 94	V0
Pollution degree	2
Surge voltage category	III

### Material data

Contact carrier material	PA-GF
--------------------------	-------

## Classifications

### eCl@ss

eCl@ss 4.0	27140816
eCl@ss 4.1	27140816
eCl@ss 5.0	27143424
eCl@ss 5.1	27143424
eCl@ss 6.0	27143424
eCl@ss 7.0	27440209
eCl@ss 8.0	27440205

### ETIM

ETIM 2.0	EC000438
ETIM 3.0	EC000438
ETIM 4.0	EC000438
ETIM 5.0	EC000438

### UNSPSC

UNSPSC 6.01	30211923
UNSPSC 7.0901	39121522
UNSPSC 11	39121522
UNSPSC 12.01	39121522
UNSPSC 13.2	39121522

# Contact insert - VC-D2-BU30-PE-R - 1884791

## Approvals

Approvals

---

Approvals

UL Recognized / cUL Recognized / EAC / cULus Recognized

---

Ex Approvals

---

Approvals submitted

---

## Approval details

UL Recognized	
Nominal current IN	4 A
Nominal voltage UN	250 V

cUL Recognized	
Nominal current IN	4 A
Nominal voltage UN	250 V

EAC
-----

cULus Recognized
------------------

## Accessories

Accessories

Assembly tool

## Contact insert - VC-D2-BU30-PE-R - 1884791

### Accessories

Contact removal tool - VC-EW 1,6 - 1884869



Contact removal tool, for turned and rolled CK- 1.6-... contacts

---

Assembly tool - CK1,6/2,5-MWZ - 1676734



Assembly tool, for CK 1.6... crimp contacts for small conductor cross sections

---

### Crimp contact

Crimp contact - CK1,6-BR-0,50ST AG - 1884157



Rolled pin contact, taped, silver-plated, 0.14 mm<sup>2</sup> ... 0.5 mm<sup>2</sup>, contact entry from left, 2000 pcs. per roll

---

Crimp contact - CK1,6-BR-1,50ST AG - 1884144



Rolled pin contact, taped, silver-plated, 0.5 mm<sup>2</sup> ... 1.5 mm<sup>2</sup>, contact entry from left, 2000 pcs. per roll

---

Crimp contact - CK1,6-BR-0,50BU AG - 1884186



Rolled female contact, taped, silver-plated, 0.14 mm<sup>2</sup> ... 0.5 mm<sup>2</sup> left contact lead-in, 2000 pieces per roll

---

## Contact insert - VC-D2-BU30-PE-R - 1884791

### Accessories

Crimp contact - CK1,6-ER-0,50ST AG - 1884092



Rolled 1.6 crimp contact, individual male contact, core diameter 0.5 mm<sup>2</sup>

---

Crimp contact - CK1,6-ER-1,50ST AG - 1884089



Rolled male contact, single contacts, silver-plated, 0.5 mm<sup>2</sup> ... 1.5 mm<sup>2</sup>

---

Crimp contact - CK1,6-ER-0,50BU AG - 1884128



Rolled 1.6 crimp contact, individual female contact, core diameter 0.5 mm<sup>2</sup>

---

### Crimping tool

Crimping pliers - CRIMPFOX-1,6-ER-1,50-AT - 1884843



Crimping pliers for rolled contacts CK 1.6-ER... and ...-BR..., 0.5 - 1.5 mm<sup>2</sup>

---

### Panel mounting flange

Mounting flange - VC-D-AF - 1855319



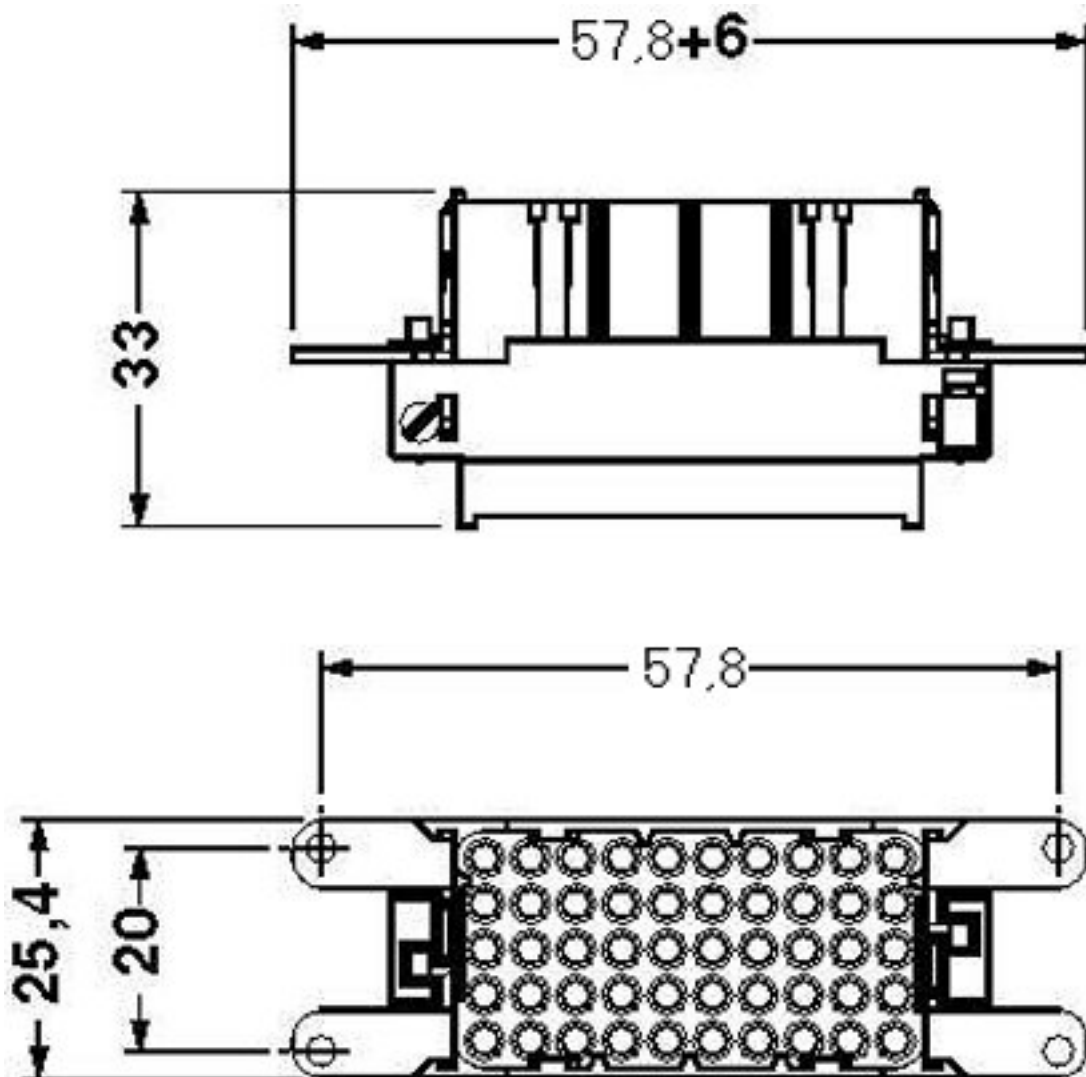
Panel mounting flange for screw locking, for fixing the crimp contact insert to the housing panel, with two M3 threaded holes and one M4 threaded hole

---

### Drawings

# Contact insert - VC-D2-BU30-PE-R - 1884791

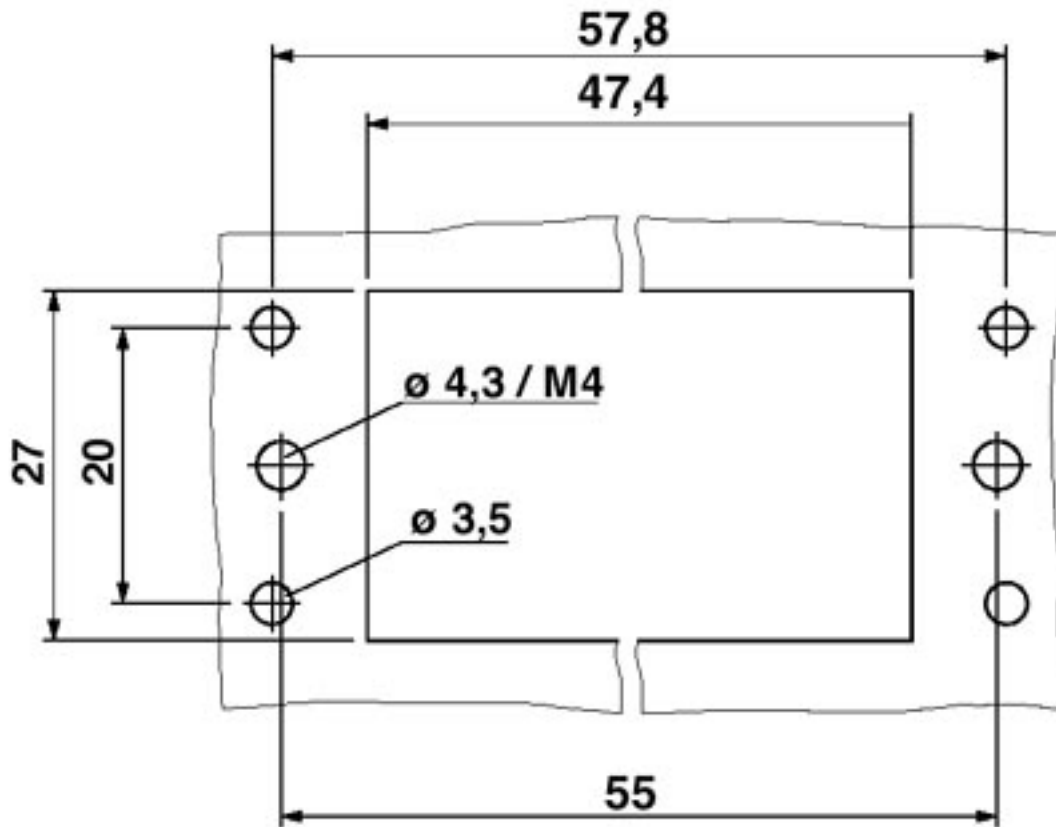
Dimensional drawing



Contact insert

# Contact insert - VC-D2-BU30-PE-R - 1884791

Dimensional drawing



Panel cutout