


# VC-AL-T3-Z-M25-S

Order No.: 1583678

<http://eshop.phoenixcontact.de/phoenix/treeViewClick.do?UID=1583678>

Aluminum die-cast sleeve housing, with grommet, locking screws with cylinder head, for a metric M25 cable gland, angled cable outlet, type VC3

Commercial data	
GTIN (EAN)	 4 046356 183307
sales group	D201
Pack	5 pcs.
Customs tariff	85369010
Catalog page information	Page 466 (PC-2011)

**Product notes**WEEE/RoHS-compliant since:  
01/19/2007

<http://www.download.phoenixcontact.com>  
Please note that the data given here has been taken from the online catalog. For comprehensive information and data, please refer to the user documentation. The General Terms and Conditions of Use apply to Internet downloads.

Technical data	
<b>General data</b>	
Note	When using fiber optics, the bending radii of the cable manufacturers must be observed.
Design	VC2
Color	gray aluminum

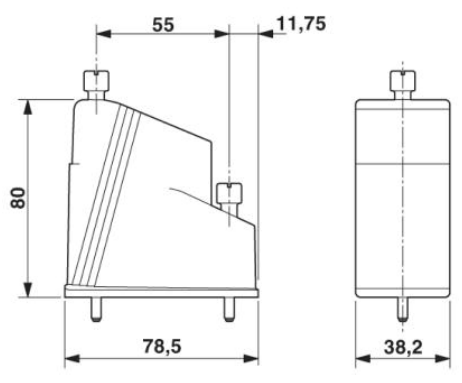
Locking type	Screw locking, knurled head
Tightening torque, mounting screw	1.5 Nm ± 0.3 Nm
Fixing screws	M4
No. of cable exits	1
Cable exit	Angled
Pg screw connection	None
Type of the screw connection	M25 x 1.5
Degree of protection	IP65/IP68/IP69K
Ambient temperature (operation)	-40 °C ... 125 °C
Housing material	Aluminum, die-cast
Seal material	NBR, conductive
Material of locking screw	Nickel-plated brass
Inflammability class acc. to UL 94	V0

**Accessories**

Item	Designation	Description
<b>General</b>		
0806628	GPE 22X22 SR/R	Plastic label sheet, self-adhesive double-layer plastic labels, with rounded edges, radius 2 mm, material thickness: 0.8 mm, suitable for plotting and engraving, color: silver

**Diagrams/Drawings**

Dimensioned drawing



**Address**

PHOENIX CONTACT Deutschland GmbH  
Flachmarktstr. 8  
32825 Blomberg, Germany  
Phone +49 5235 3 12000  
Fax +49 5235 3 41200  
<http://www.phoenixcontact.de>



© 2011 Phoenix Contact  
Technical modifications reserved;