


HC-B 24-TMS-100/O1STM32G-STA

Order No.: 1690367

<http://eshop.phoenixcontact.de/phoenix/treeViewClick.do?UID=1690367>

HEAVYCON ADVANCE standard powder-coated sleeve housing B24, with screw locking, height 100 mm, with 1x M32 thread, straight cable outlet

Commercial data

| | |
|--------------------------|---|
| GTIN (EAN) |  |
| sales group | D201 |
| Pack | 10 pcs. |
| Customs tariff | 85389099 |
| Catalog page information | Page 565 (PC-2011) |

Product notes

WEEE/RoHS-compliant since:
01/31/2006



<http://www.download.phoenixcontact.com>
Please note that the data given here has been taken from the online catalog. For comprehensive information and data, please refer to the user documentation. The General Terms and Conditions of Use apply to Internet downloads.

Technical data

General data

| | |
|--------|--|
| Note | For contact inserts HC-B24, BB46, D64, DD108, HV10/16, M |
| Design | B24 |
| Height | 100 mm |
| Width | 57 mm |

| | |
|---------------------------------|------------------------------------|
| Length | 152 mm |
| Housing type | Sleeve housings |
| Locking type | Screw locking |
| Torque | 3 Nm (Locking screw) |
| Fixing screws | M6 |
| No. of cable exits | 1 |
| Cable exit | Straight |
| Pg screw connection | None |
| Type of the screw connection | 1x M32 |
| Degree of protection | IP65 / IP68 (0.2 bar, 24h) / IP69K |
| Ambient temperature (operation) | -40 °C ... 125 °C |
| Housing material | Aluminum, die-cast |
| Housing surface material | Powder-coated, gray |
| Seal material | NBR |
| Material lock | High-grade steel |
| Length of the assembly cutout | 112 mm |
| Width of the assembly cutout | 35 mm |

Certificates / Approvals



Certification GOST

Accessories

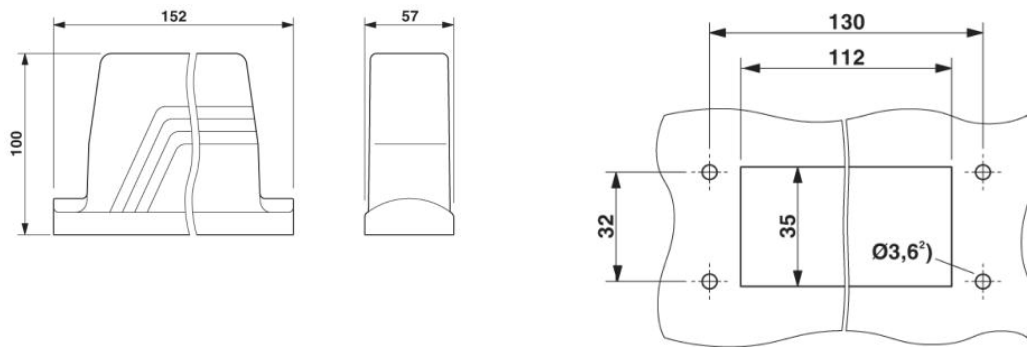
| Item | Designation | Description |
|-----------------|-------------|--|
| Assembly | | |
| 1686533 | HC-B-AF | Panel mounting flange for HEAVYCON-ADVANCE TMS housing with screw locking |
| 1604638 | HC-B-AF-SET | Panel mounting flange for screw locking, set comprising 2 panel mounting flanges with 4 self-tapping Torx head screws and 4 fan-type washers |

General

| | | |
|---------|---------------------|---|
| 1690765 | HC-B 24-TMS-SD-IP50 | HEAVYCON ADVANCE IP50 protective cover B24, for panel mounting side, with clip locking, with retaining cord, diameter of retaining cord eyelet 3 mm |
| 1690804 | HC-B 24-TMS-SD-IP65 | HEAVYCON ADVANCE B24 IP65 protective cover, for panel mounting side, with screw locking, with retaining cord, diameter of retaining cord eyelet: 3 mm |

Diagrams/Drawings

Dimensioned drawing



Panel cutout

²⁾ When self-tapping Torx screws are used (Torx20, M4)

Address

PHOENIX CONTACT Inc., USA
586 Fulling Mill Road
Middletown, PA 17057, USA
Phone (800) 888-7388
Fax (717) 944-1625
<http://www.phoenixcon.com>



© 2011 Phoenix Contact
Technical modifications reserved;