


VC-D4-BU65-PE

Order No.: 1855089

The illustration shows a 50-pos. version

<http://eshop.phoenixcontact.de/phoenix/treeViewClick.do?UID=1855089>Female contact carrier, for turned crimp contacts, type VC 4, 65-pos. +
PE

Commercial data

GTIN (EAN)	 4 017918 159351
sales group	D220
Pack	10 pcs.
Customs tariff	85366990
Catalog page information	Page 463 (PC-2011)

Product notes

WEEE/RoHS-compliant since:
06/01/2005

<http://www.download.phoenixcontact.com>
Please note that the data given here has been taken from the online catalog. For comprehensive information and data, please refer to the user documentation. The General Terms and Conditions of Use apply to Internet downloads.

Technical data

Electrical characteristics

Note	Plug connectors may only be connected/disconnected when under no load.
Rated voltage	250 V
Rated voltage (III/3)	250 V

Rated current	10 A
	10 A
Rated surge voltage	4 kV
Ambient temperature (operation)	-40 °C ... 125 °C
Number of positions	65

Mechanical characteristics

Conductor cross-section	0.14 mm ² ... 1.5 mm ² (stranded)
Connection cross-section AWG	22 ... 16
Stripping length of the individual wire	8 mm
Conductor cross section stranded max.	1.5 mm ²
Insertion/withdrawal cycles	>= 500

General characteristics

Design	VC4
Series	VC-D
Connection method	Crimp connection
Inflammability class acc. to UL 94	V0
Pollution degree	2
Surge voltage category	III

Material data

Contact carrier material	PA-GF
--------------------------	-------

Certificates / Approvals



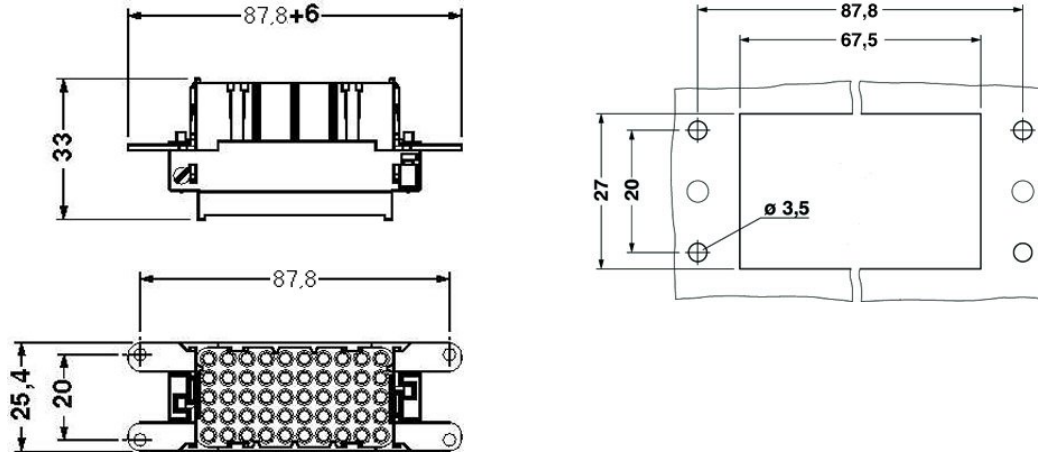
Certification CUL, GOST, UL

Accessories

Item	Designation	Description
1855319	VC-D-AF	Panel mounting flange for screw locking, for fixing the crimp contact insert to the housing panel, with two M3 threaded holes and one M4 threaded hole

Diagrams/Drawings

Dimensioned drawing



Address

PHOENIX CONTACT Inc., USA
586 Fulling Mill Road
Middletown, PA 17057, USA
Phone (800) 888-7388
Fax (717) 944-1625
<http://www.phoenixcon.com>



© 2011 Phoenix Contact
Technical modifications reserved;