

10119130 - X0C - XXXLF

LEAD-FREE DESIGNATION ONLY WITH APPLICABLE PLATING CODES

LETTER	PLATING (SEE NOTE 6)	
	APPLICATION	TYPE (REFERENCE)
B	TELCORDIA CO	0.76µm GOLD or GXT
C	TELCORDIA UE	1.27µm GOLD
D	TELCORDIA CO	0.76µm GOLD or GXT, LEAD-FREE
E	TELCORDIA UE	1.27µm GOLD, LEAD-FREE

6-COLUMN DIFFERENTIAL SIGNAL

NUMBER	GUIDE PIN STYLE (SEE NOTE 8)
0	STANDARD GUIDE PIN, MACHINED
1	STANDARD GUIDE PIN, ROLLED

MODULE DESCRIPTION	LETTER DESIGNATION REPRESENTED IN DASH NUMBER										BASE MODULE
LEFT POLARIZING GUIDANCE MODULE (SEE SHEET 6)	N	J	A	B	C	D	E	F	G	H	
	NO KEY NO GUIDE PIN										
RIGHT POLARIZING GUIDANCE MODULE (SEE SHEET 7)	Z	Y	P	Q	R	S	T	U	V	W	
	NO KEY NO GUIDE PIN										
OPEN MODULE (TWO WALL) (SEE SHEET 2)	0 (ZERO)										
LEFT WALL MODULE (SEE SHEET 3)	L										
RIGHT WALL MODULE (SEE SHEET 4)	M										
FOUR WALL MODULE (SEE SHEET 5)	I (ONE)										

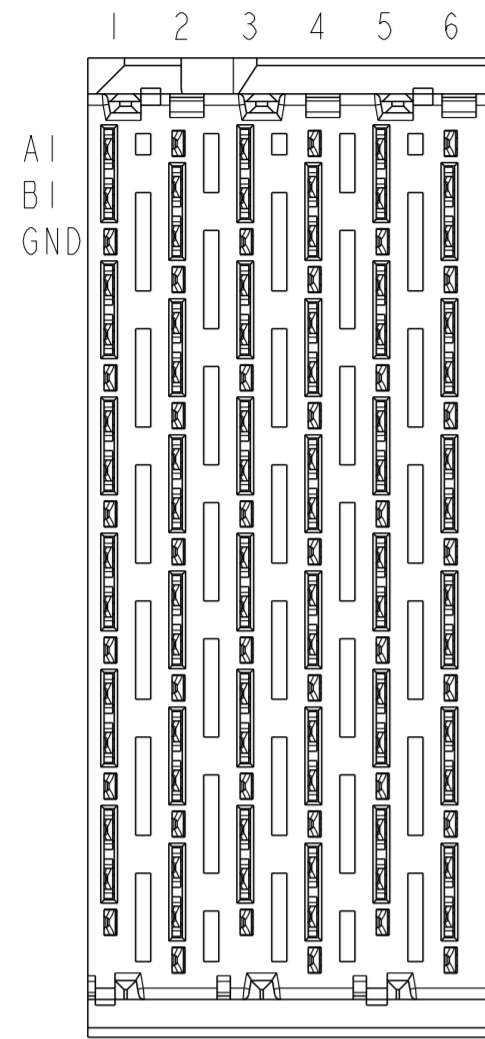
NUMBER	CONTACT MATING WIPE LENGTH		COMPLIANT TAIL TYPE (SEE NOTE 9)
	SIGNAL	GROUND	
1	2 MM	4 MM	0.55 (0.0217") DRILL
2	3 MM	4 MM	0.55 (0.0217") DRILL
3	2 MM	4 MM	0.45 MICRO (0.0177") DRILL
4	3 MM	4 MM	0.45 MICRO (0.0177") DRILL
5	2 MM	3 MM	0.55 (0.0217") DRILL
6	3 MM	3 MM	0.55 (0.0217") DRILL
7	2 MM	3 MM	0.45 MICRO (0.0177") DRILL
8	3 MM	3 MM	0.45 MICRO (0.0177") DRILL

FOR CUSTOM-LOADED MODULES, SEE INDIVIDUAL CUSTOM DRAWINGS WITH THE DRAWING-NUMBER FORMAT OF 10119130-XXXX, WHERE: "X" DENOTES MODULE TYPE PER CHART ON THIS SHEET "YYYY" IS A SEQUENTIAL NUMBER BEGINNING WITH "0001".

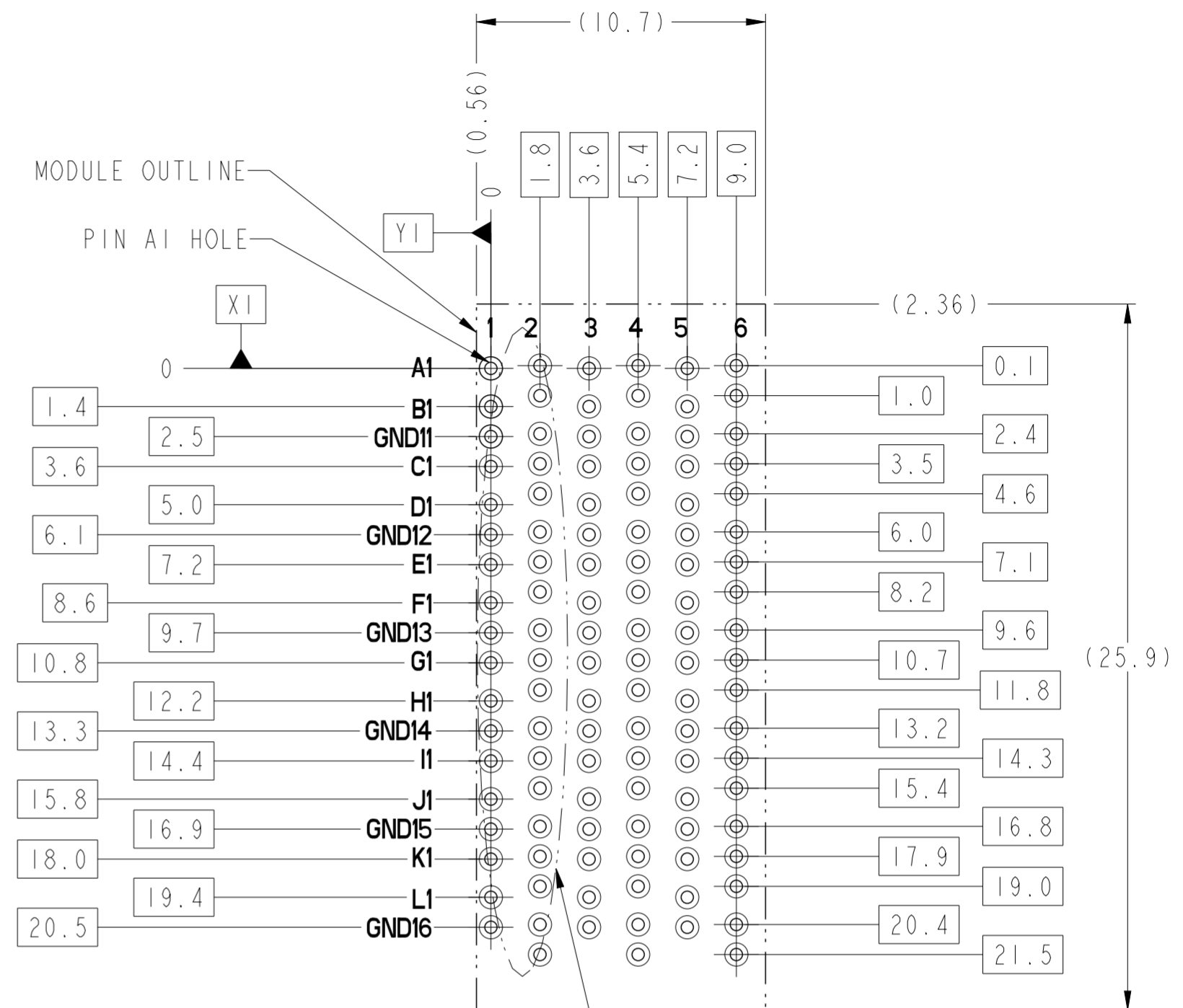
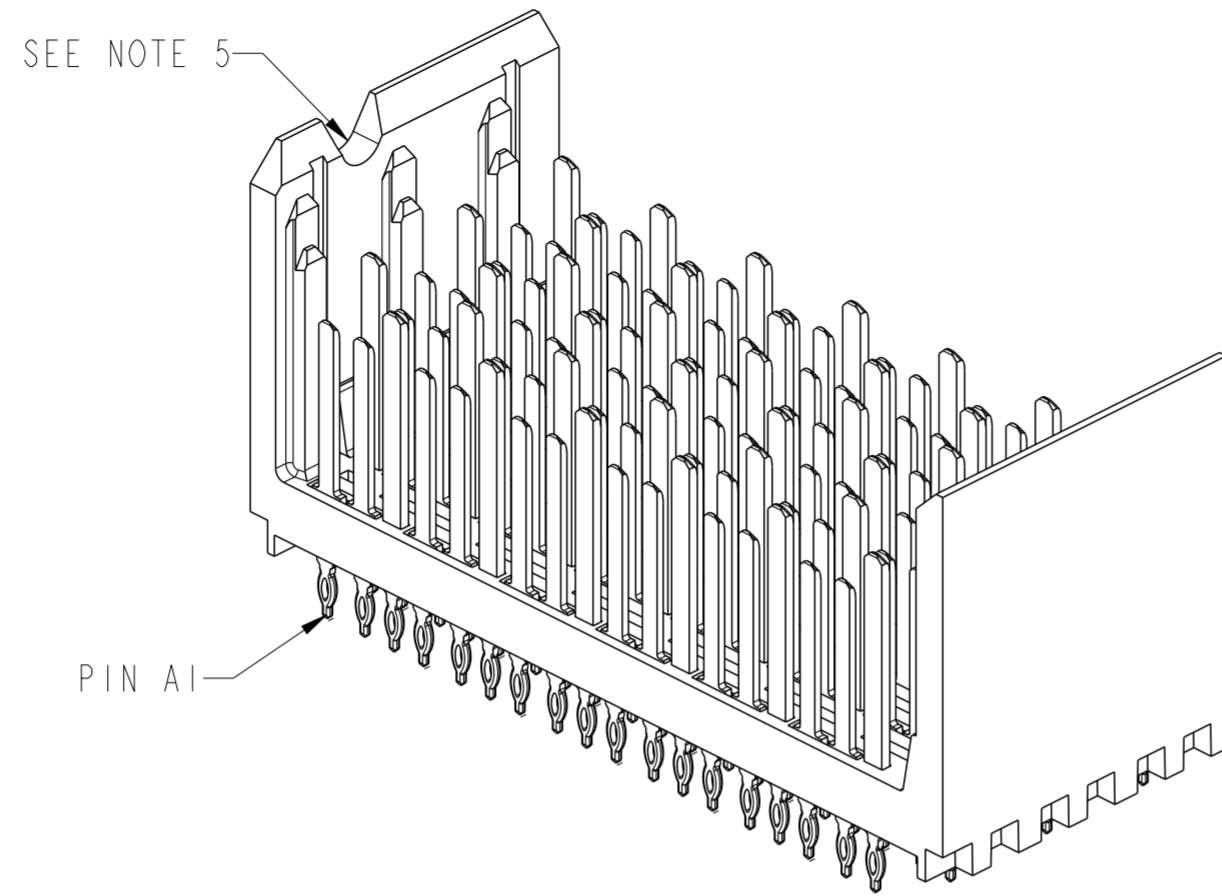
	UNGROUND	GROUND
FHS	Ø2.35-Ø2.55	Ø2.35-Ø2.55
PAD	N/A	Ø5.50
PLATED	NO	YES
DRILL(mm)	2.44mm	2.58mm
DRILL(in)	0.096"	0.1015"

SCREW P/N	DESCRIPTION	BOARD THICKNESS
10091790-002LF	#2-56 X 0.375" LG. PHILIPS PANHEAD W/SQ CONICAL WASHER	1.60-5.00mm
10091790-003LF	#2-56 X 0.375" LG. PHILIPS PANHEAD W/SQ CONICAL WASHER	5.00-10.00mm

spec ref	-	dr	Mary Glass	2012/02/09	projection	MM	size	A2	scale	2:1
tolerance std	ASME Y14.5	eng	Sandar Soe	2016/03/08	chr	-	ecn no	ELX-S-17624-1		
	TOLERANCES UNLESS OTHERWISE SPECIFIED	appr	Chen-Hong Tan	2016/03/17	product family	XCEDE HD	rel level	Released		
surface	linear	0.X	±0.3							
		0.XX	±0.10							
		0.XXX	±0.05							
	angular	0°	±2°							
		Amphenol FCI		VERTICAL HEADER ASSEMBLY		10119130		rev		C
		www.fci.com		cat. no.		Product - Customer Drw		sheet 1 of 8		

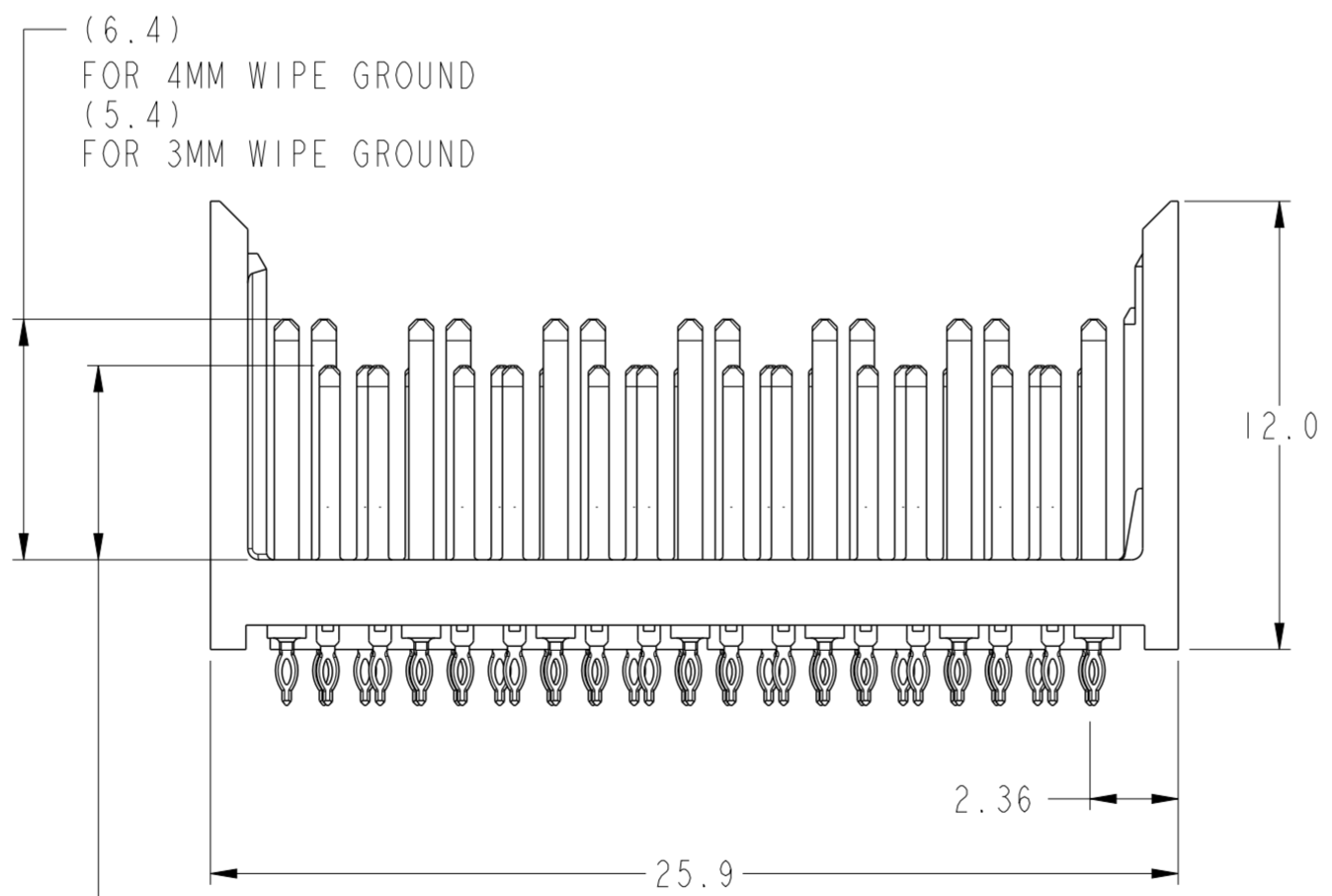
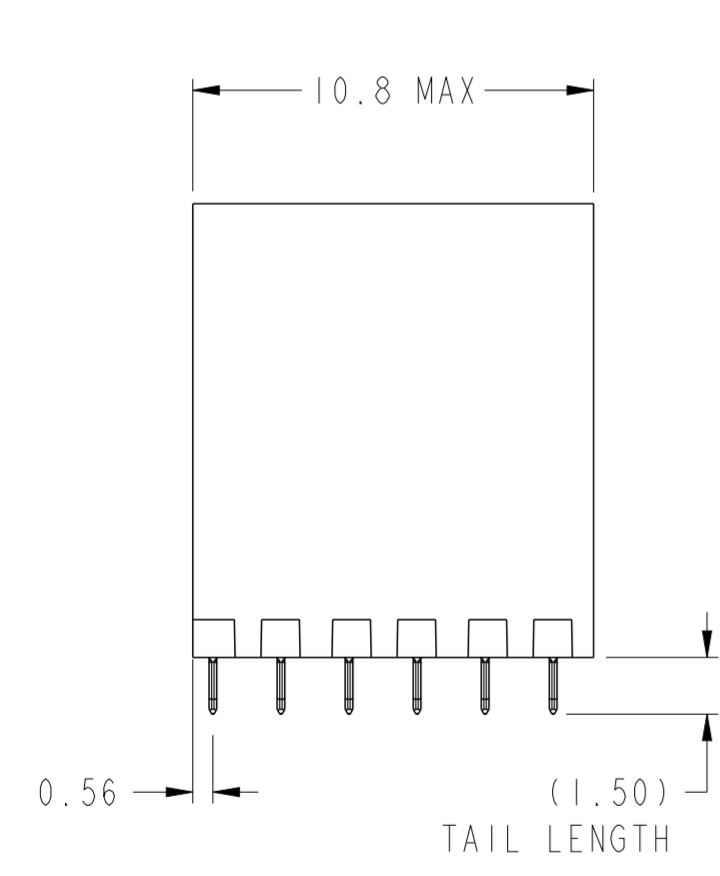


OPEN WALL MODULE



SEE DETAIL A ON SHEET 8 FOR PINOUT DETAILS

BP HOLE PATTERN COMPONENT SIDE
OPEN WALL MODULE BACKPLANE FOOTPRINT



(5.2) FOR 3MM WIPE SIGNAL
(4.2) FOR 2MM WIPE SIGNAL

Amphenol
FCi

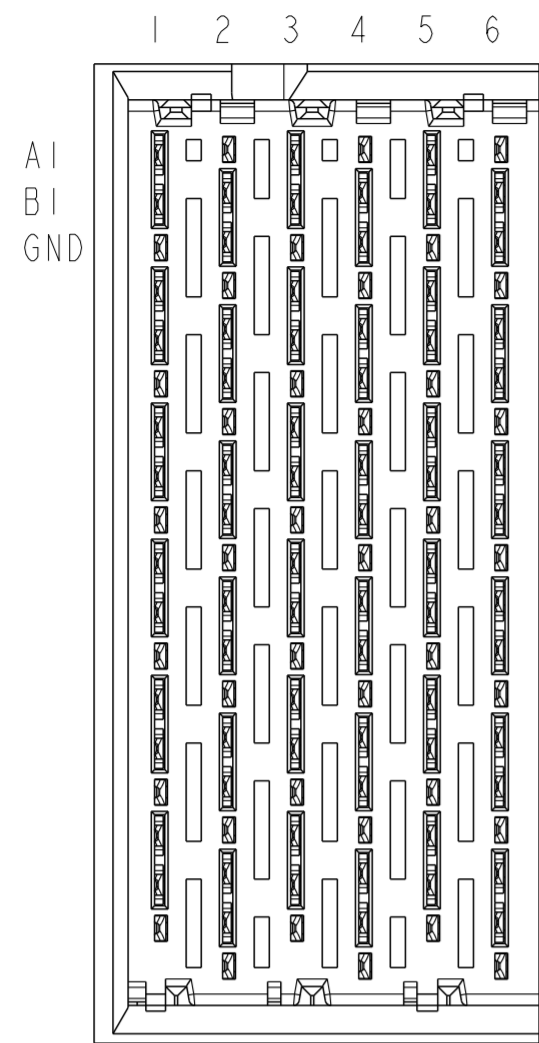
© 2016 AFci

spec ref	-	dr	Mary Glass	2012/02/09	projection	MM	size	A2	scale	5:1	
tolerance std	ASME Y14.5	eng	Sandar Soe	2016/03/08			ecn no	ELX-S-17624-1	rel level	Released	
TOLERANCES UNLESS OTHERWISE SPECIFIED		chr	-	appr			Chen-Hong Tan	2016/03/17		product family	XCEDE HD
surface	ASME Y14.5	linear	0.X	±0.3			title	VERTICAL HEADER ASSEMBLY		rev	C
		angular	0°	±2°	www.fci.com		cat. no.	-		Product - Customer Drw	sheet 2 of 8

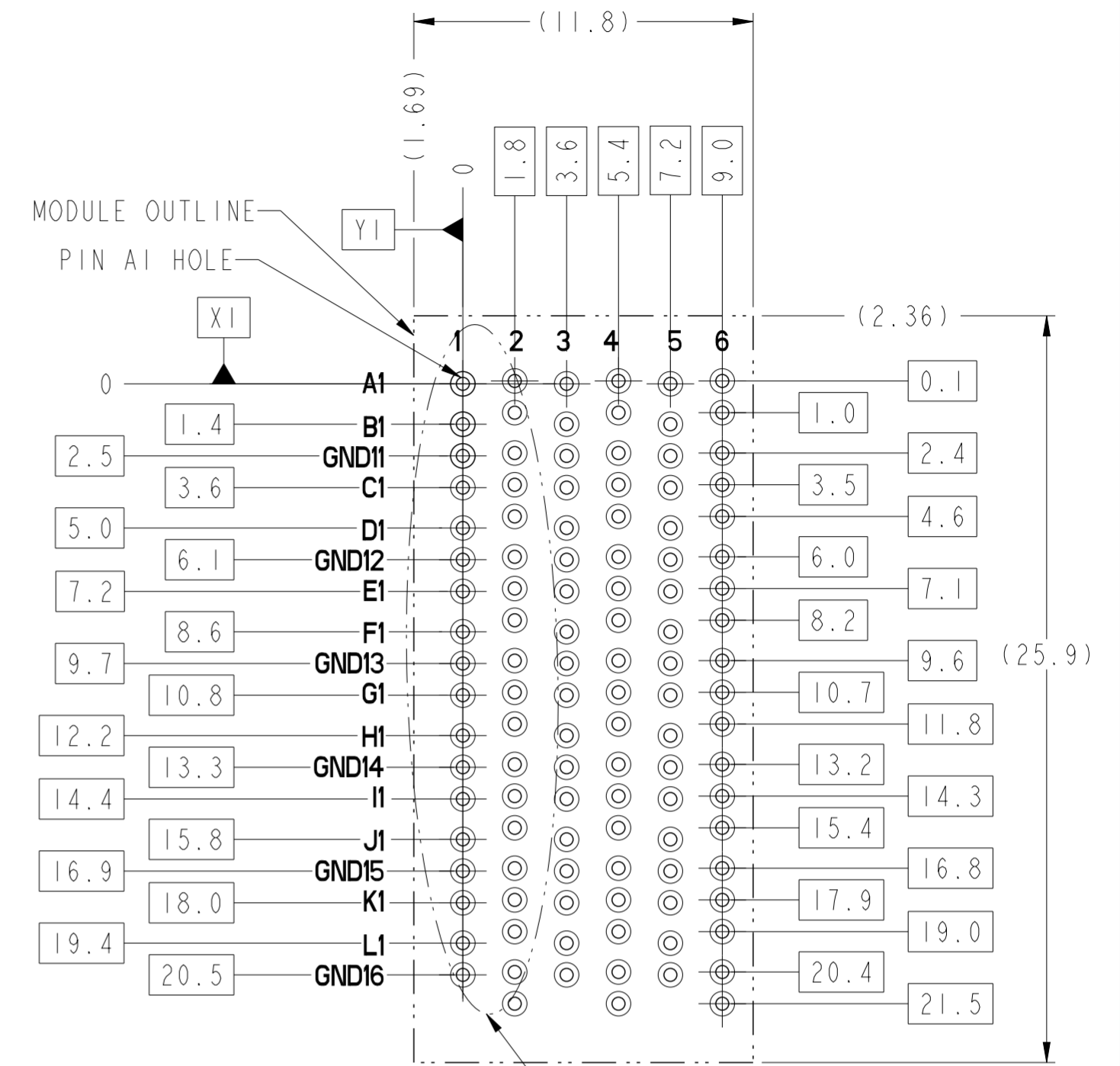
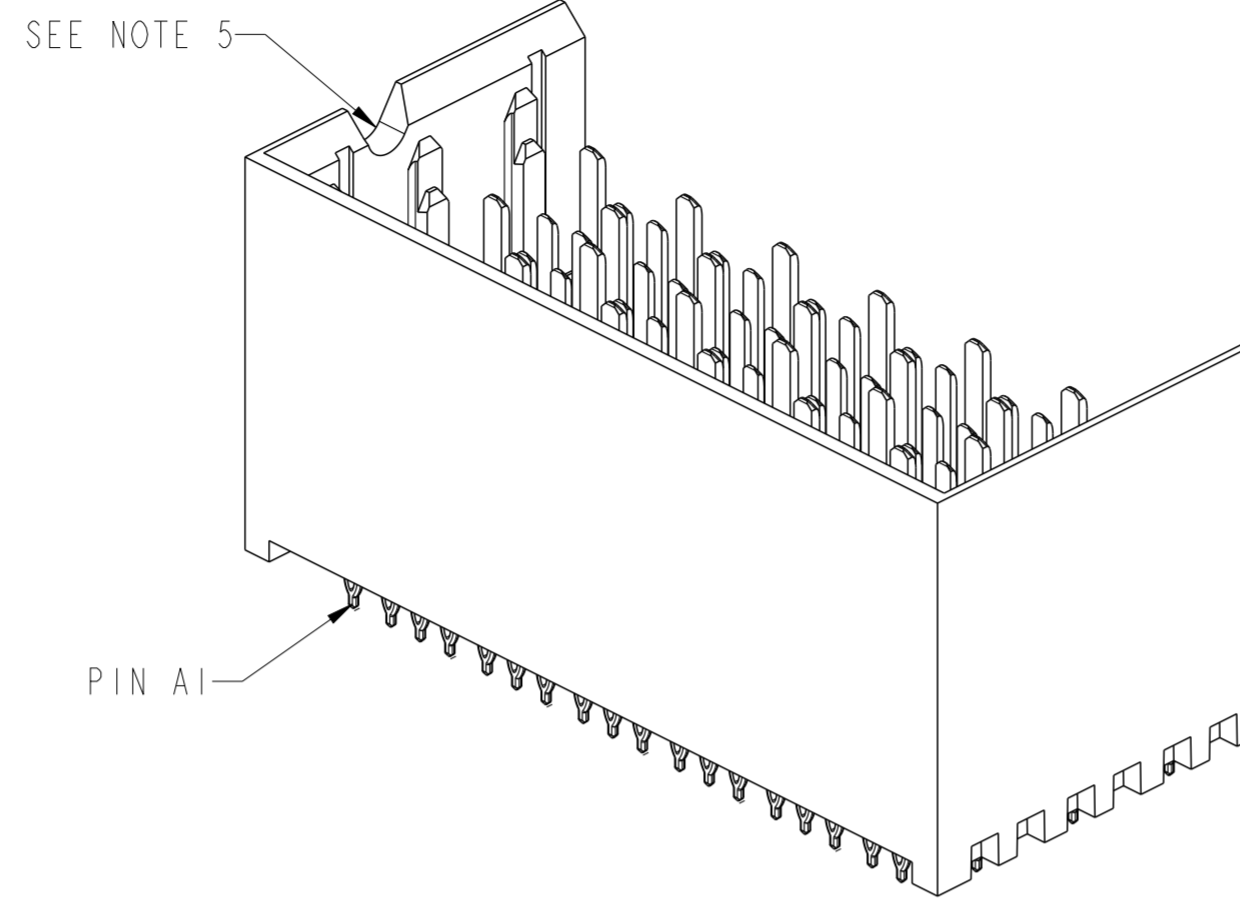
PDS: Rev :C

STATUS:Released

Printed: Mar 17, 2016

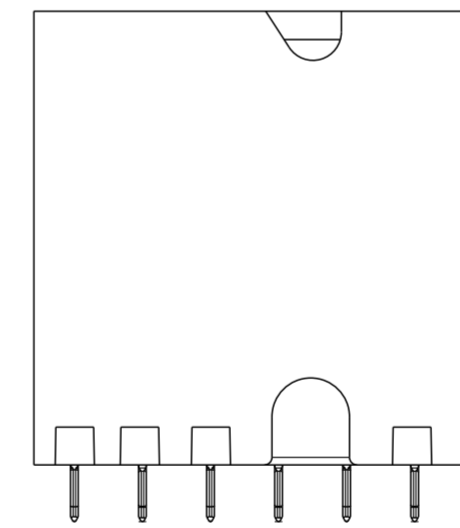
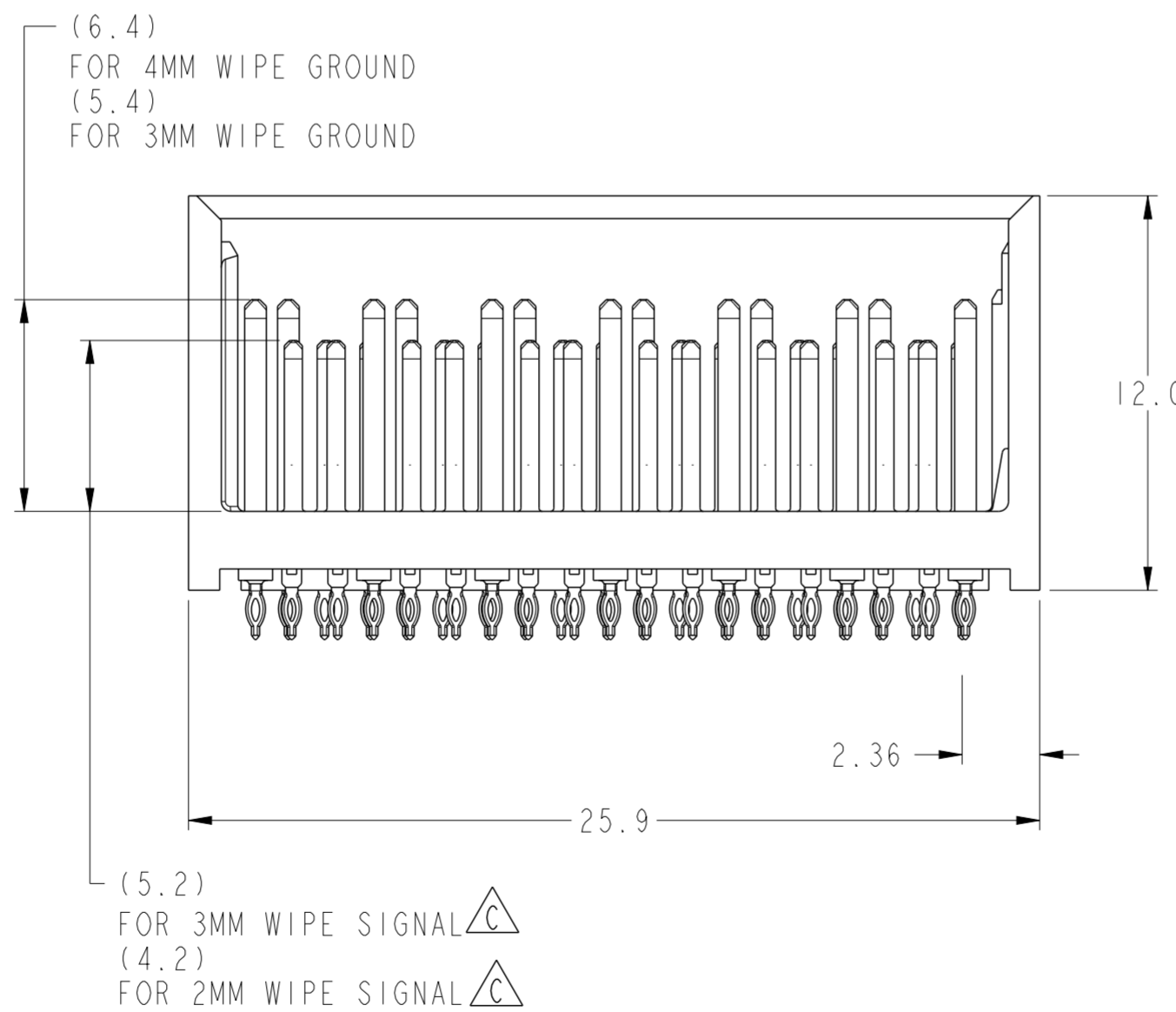
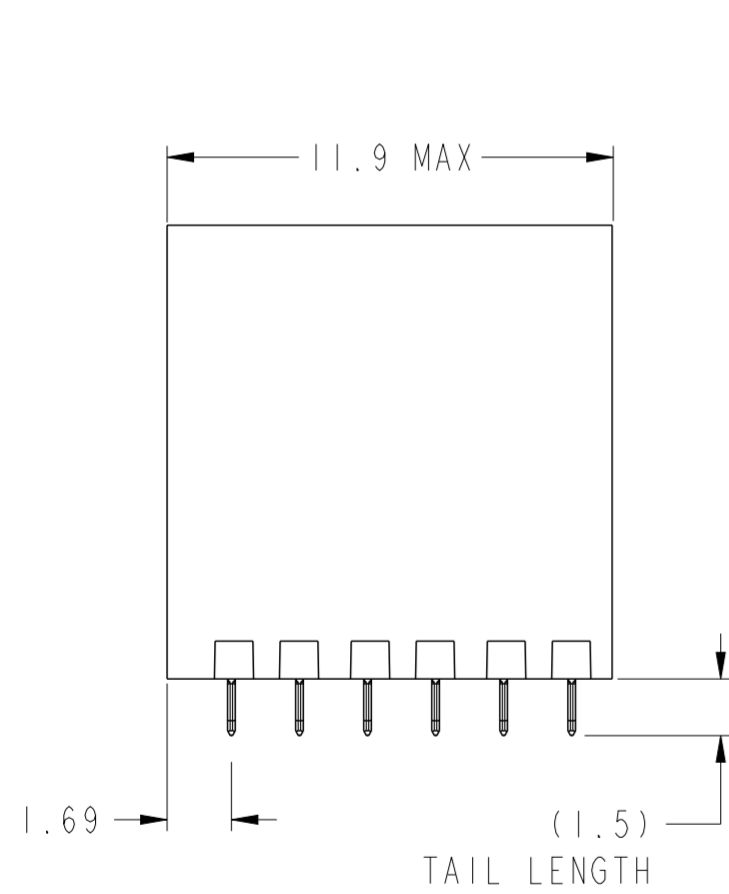


LEFT WALL MODULE

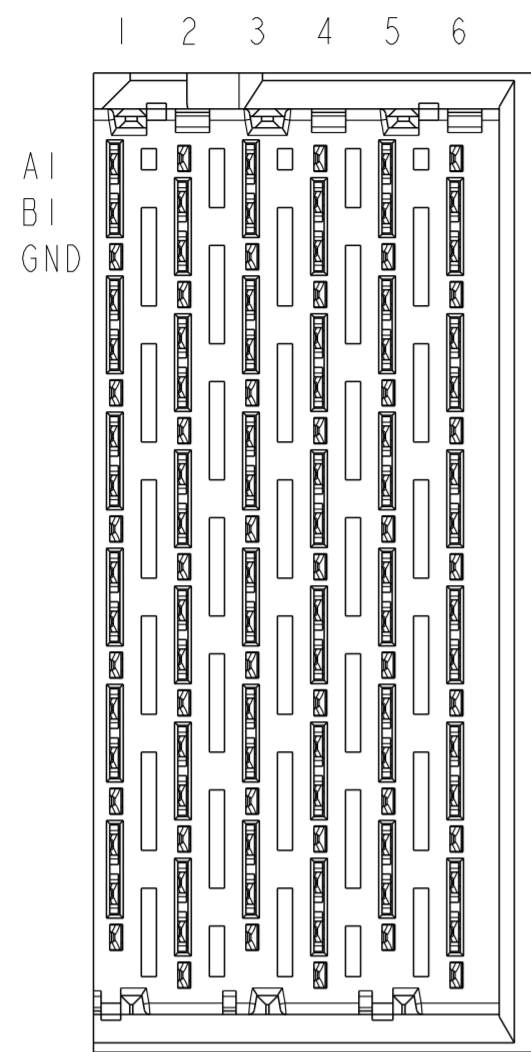


SEE DETAIL A ON SHEET 8 FOR PINOUT DETAILS

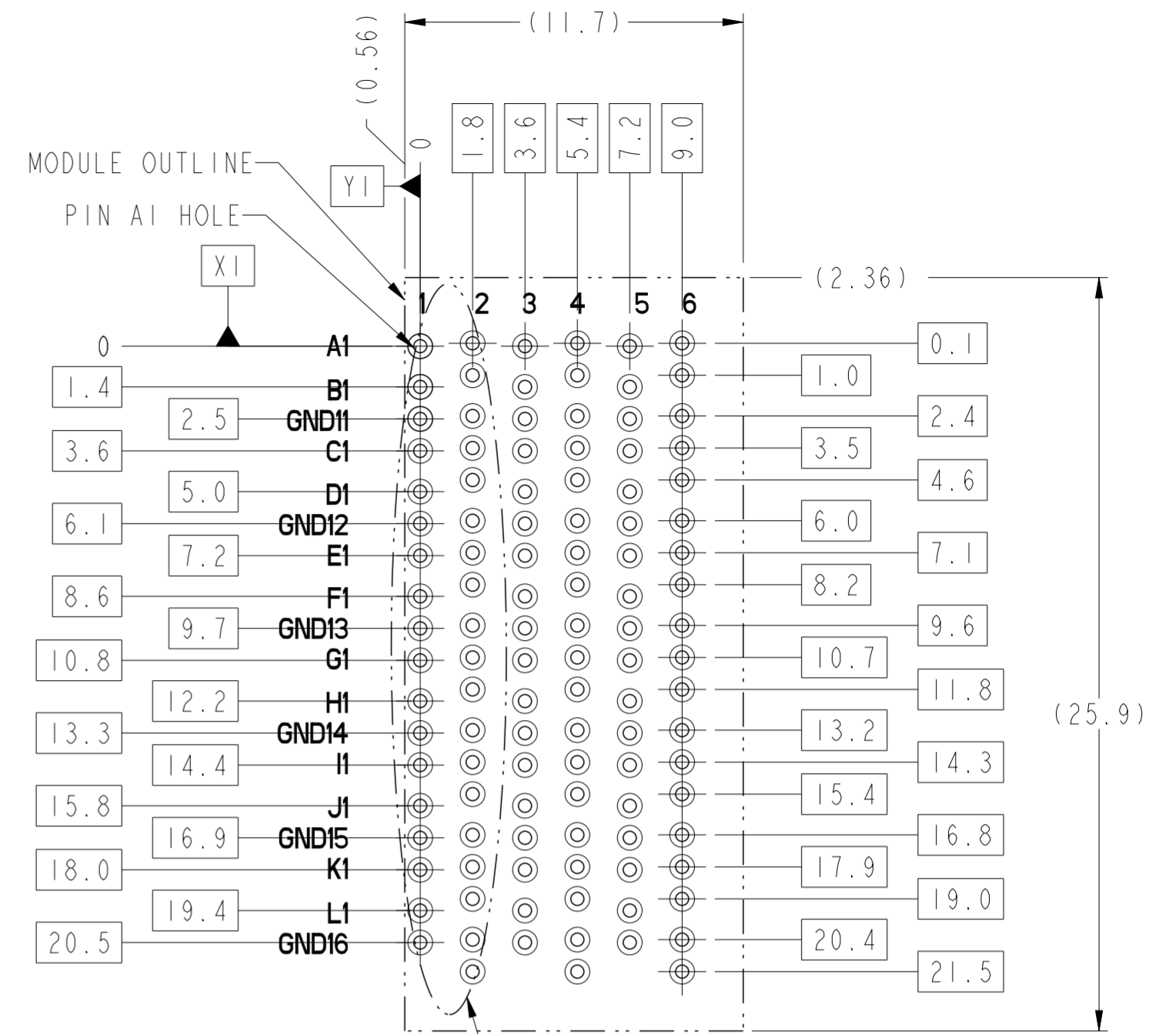
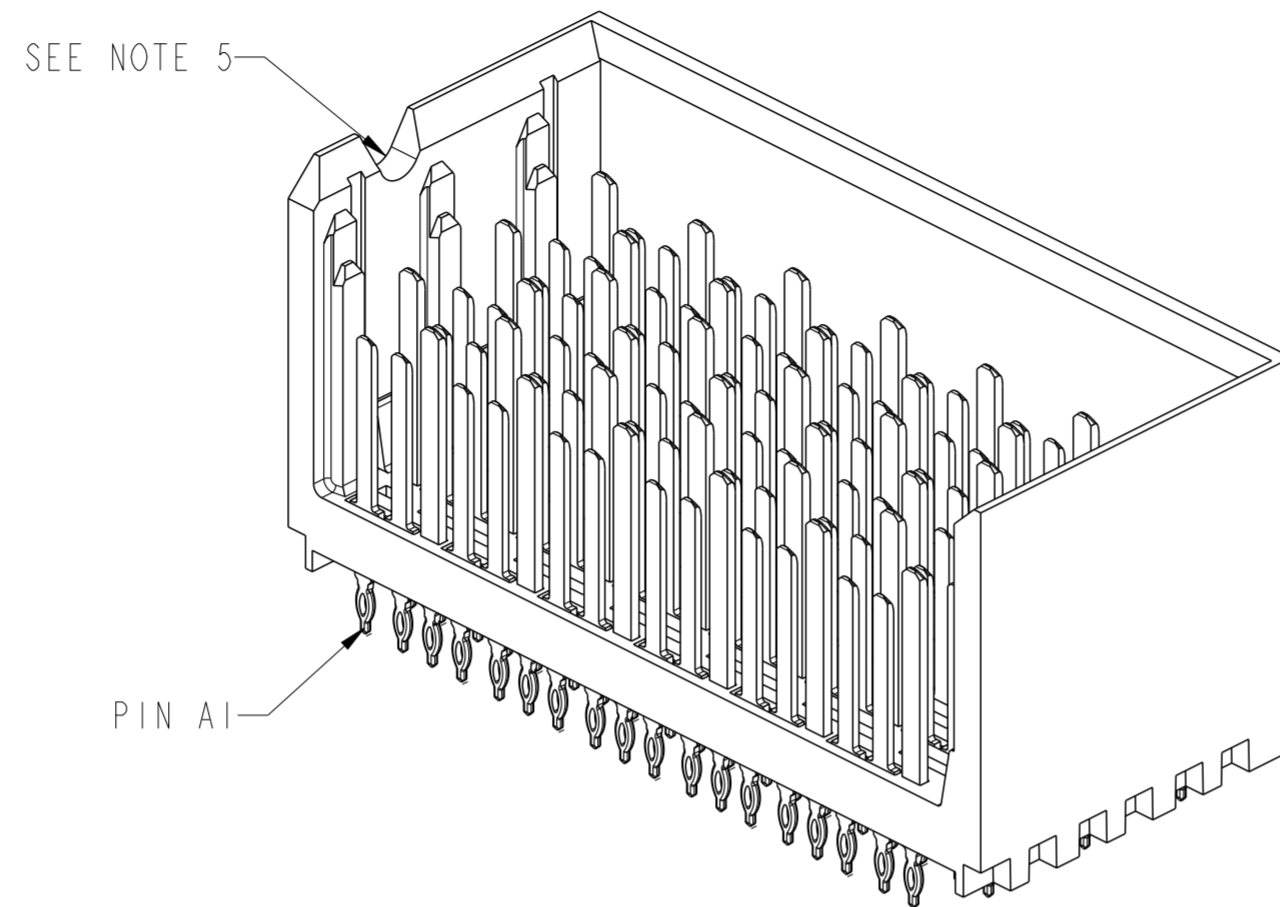
BP HOLE PATTERN COMPONENT SIDE
LEFT WALL MODULE BACKPLANE FOOTPRINT



spec ref	-	dr	Mary Glass	2012/02/09	projection	MM	size	A2	scale	5:1												
tolerance std	ASME Y14.5	eng	Sandar Soe	2016/03/08			ecn no	ELX-S-17624-1	rel level	Released												
TOLERANCES UNLESS OTHERWISE SPECIFIED		chr	-	product family							XCEDE HD											
surface	<table border="1"> <tr> <td>linear</td> <td>0.X</td> <td>±0.3</td> </tr> <tr> <td></td> <td>0.XX</td> <td>±0.10</td> </tr> <tr> <td></td> <td>0.XXX</td> <td>±0.05</td> </tr> <tr> <td>angular</td> <td>0°</td> <td>±2°</td> </tr> </table>	linear	0.X	±0.3		0.XX	±0.10		0.XXX	±0.05	angular	0°	±2°	appr	Chen-Hong Tan	2016/03/17	product family	XCEDE HD	rel level	Released	rev	C
linear	0.X	±0.3																				
	0.XX	±0.10																				
	0.XXX	±0.05																				
angular	0°	±2°																				
www.fci.com		Amphenol FCI		VERTICAL HEADER ASSEMBLY		XCEDE HD 6 PAIR, 6 COLUMN		10119130		sheet 3 of 8												

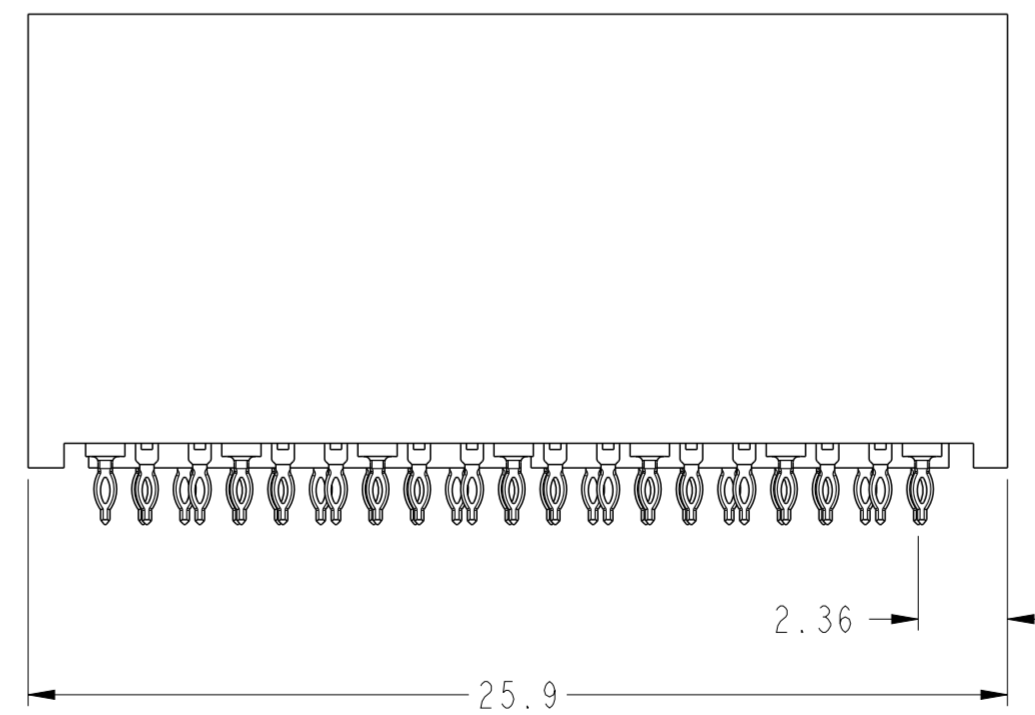
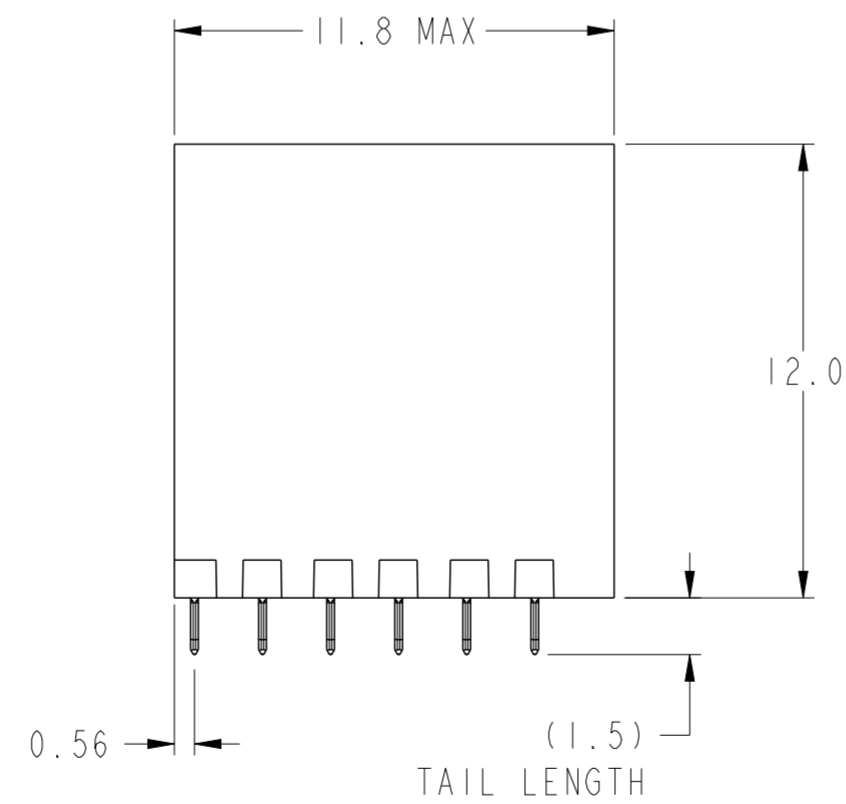
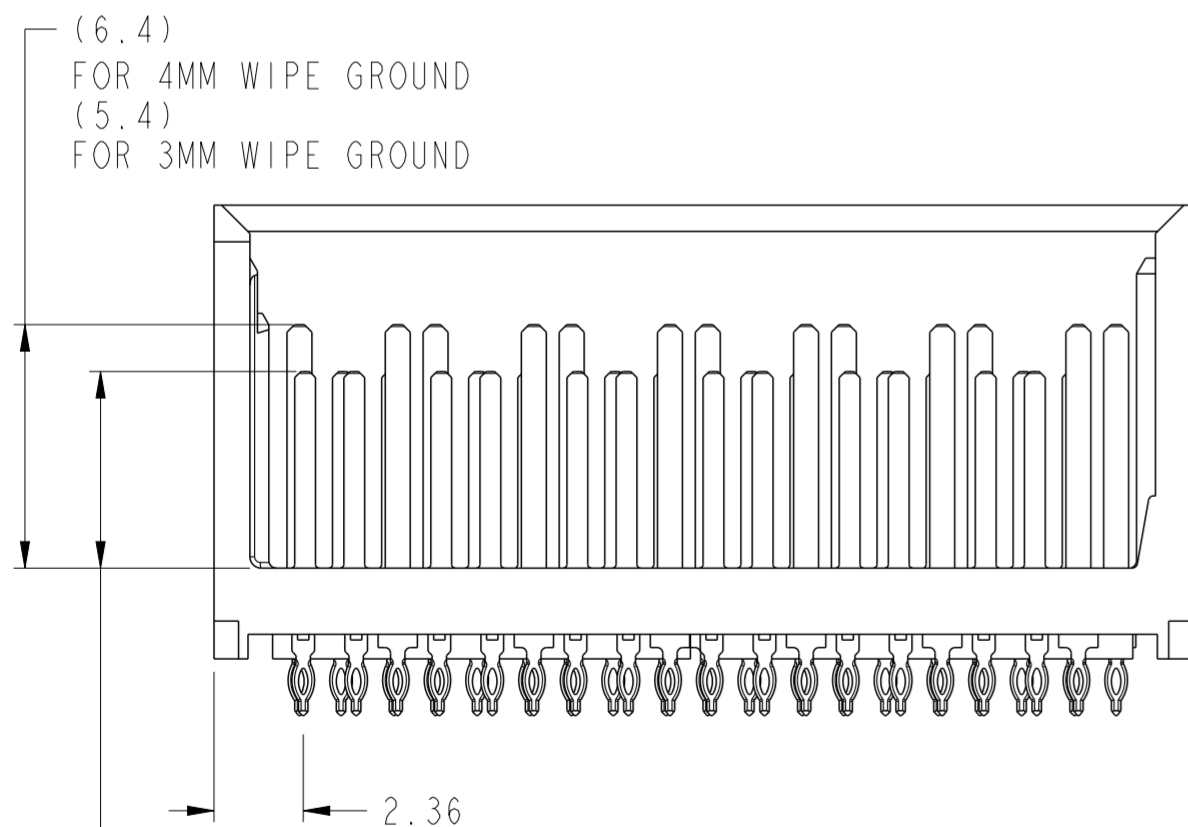


RIGHT WALL MODULE



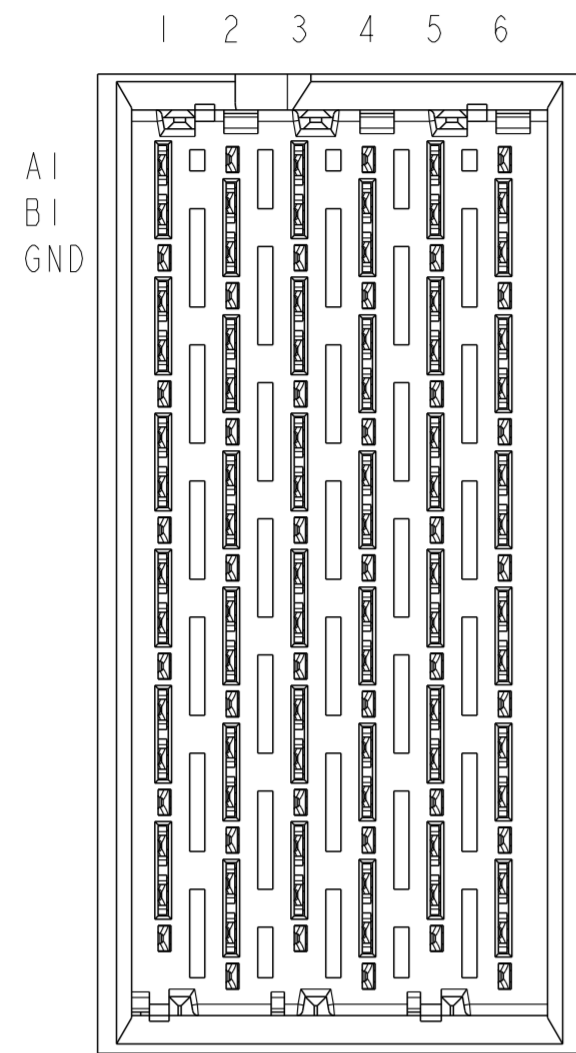
SEE DETAIL A ON SHEET 8 FOR PINOUT DETAILS

BP HOLE PATTERN COMPONENT SIDE
RIGHT WALL MODULE BACKPLANE FOOTPRINT

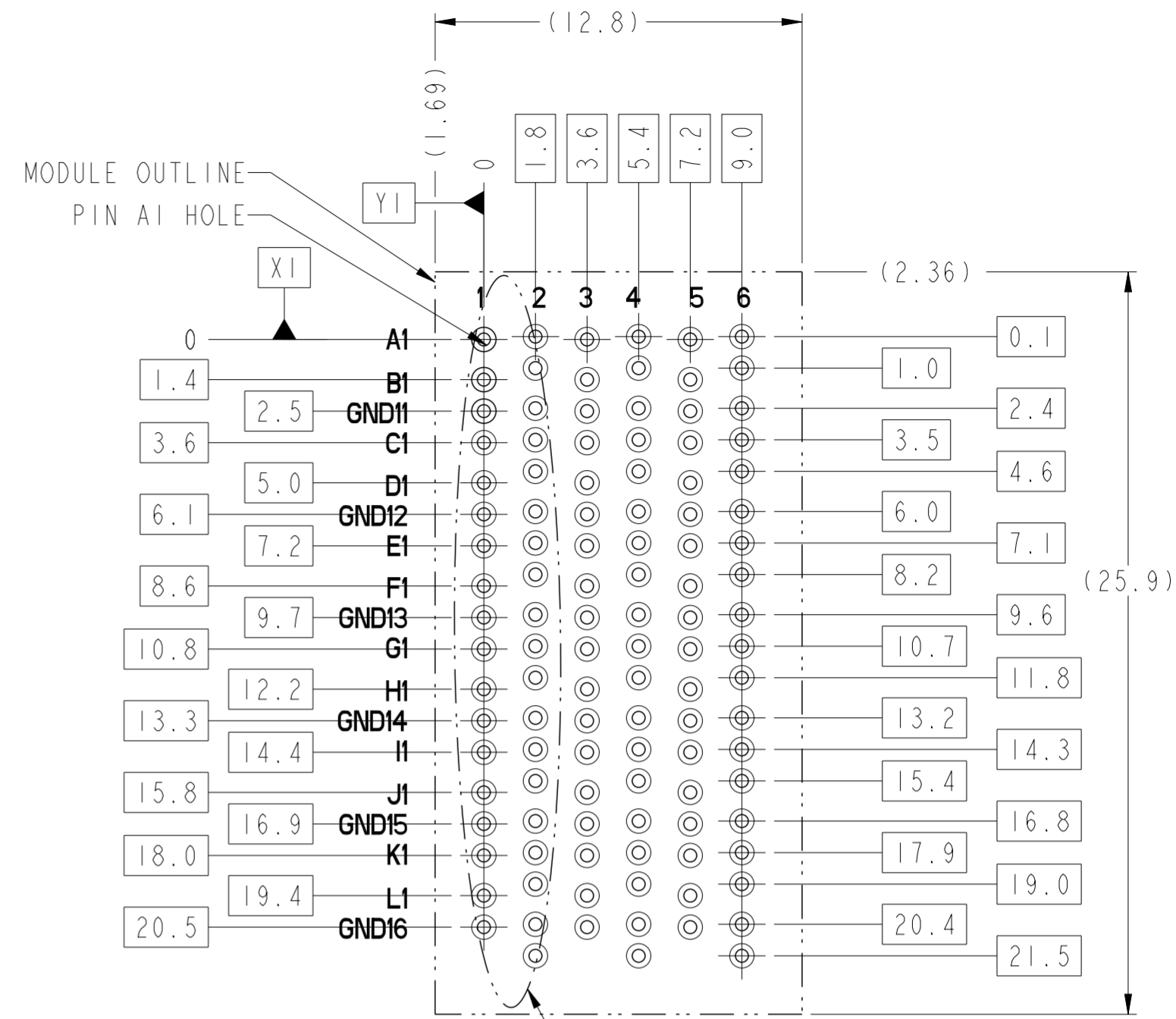
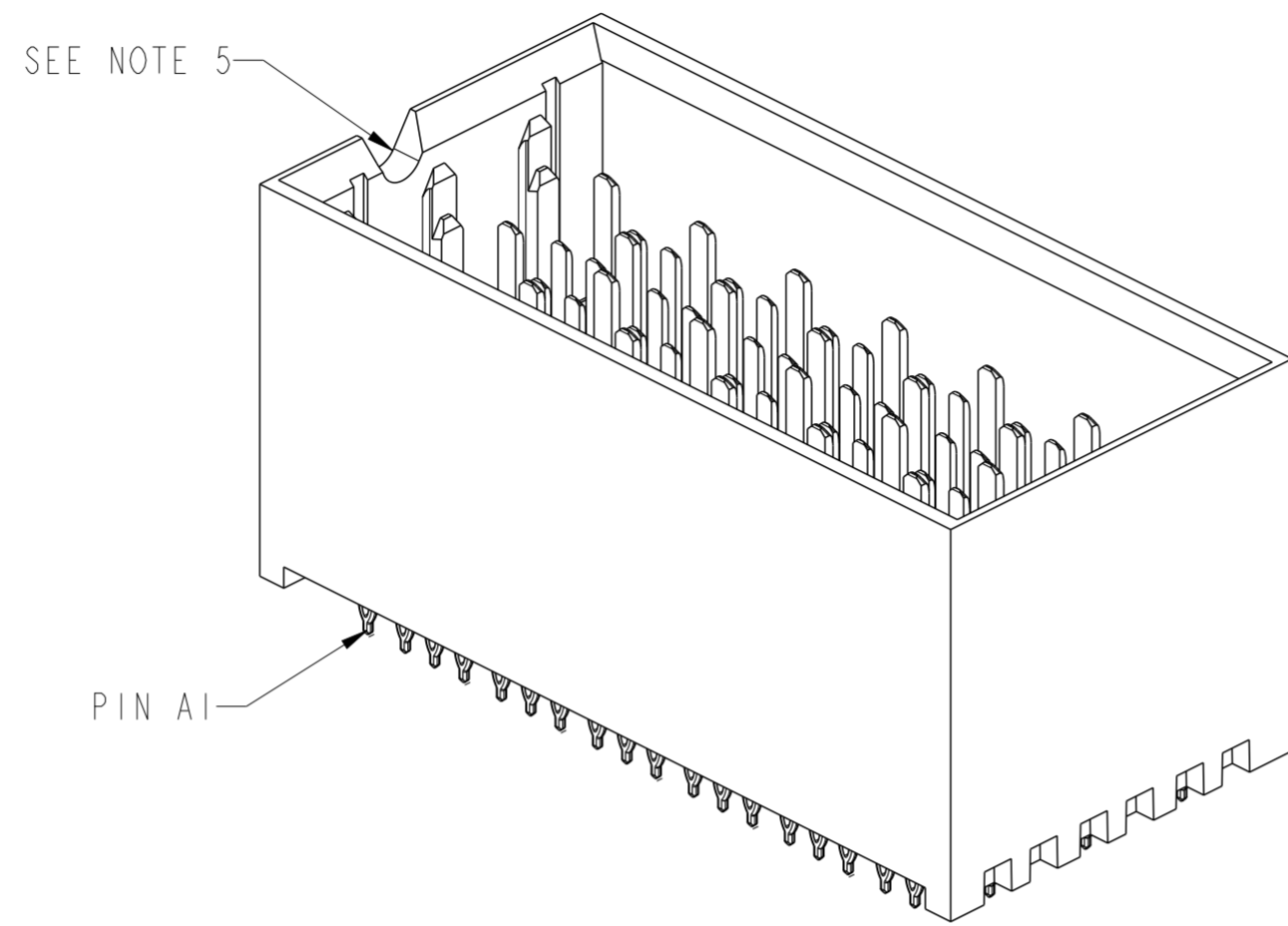


(5.2) FOR 3MM WIPE SIGNAL
(4.2) FOR 2MM WIPE SIGNAL

spec ref	-	dr	Mary Glass	2012/02/09	projection	MM	size	A2	scale	5:1
tolerance std	ASME Y14.5	eng	Sandar Soe	2016/03/08			ecn no	ELX-S-17624-1	rel level	Released
TOLERANCES UNLESS OTHERWISE SPECIFIED		chr	-	appr			Chen-Hong Tan	2016/03/17		product family
surface	linear	0.X	±0.3		VERTICAL HEADER ASSEMBLY XCEDE HD 6 PAIR, 6 COLUMN		dwg no	10119130	rev	C
		0.XX	±0.10		www.fci.com	cat. no.	-	Product - Customer Drw	sheet 4 of 8	
	angular	0°	±2°		PDS: Rev :C		STATUS: Released		Printed: Mar 17, 2016	



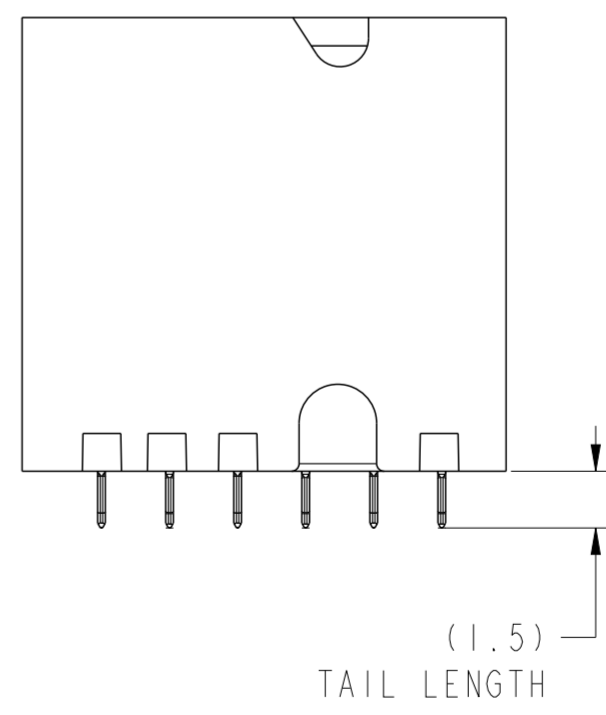
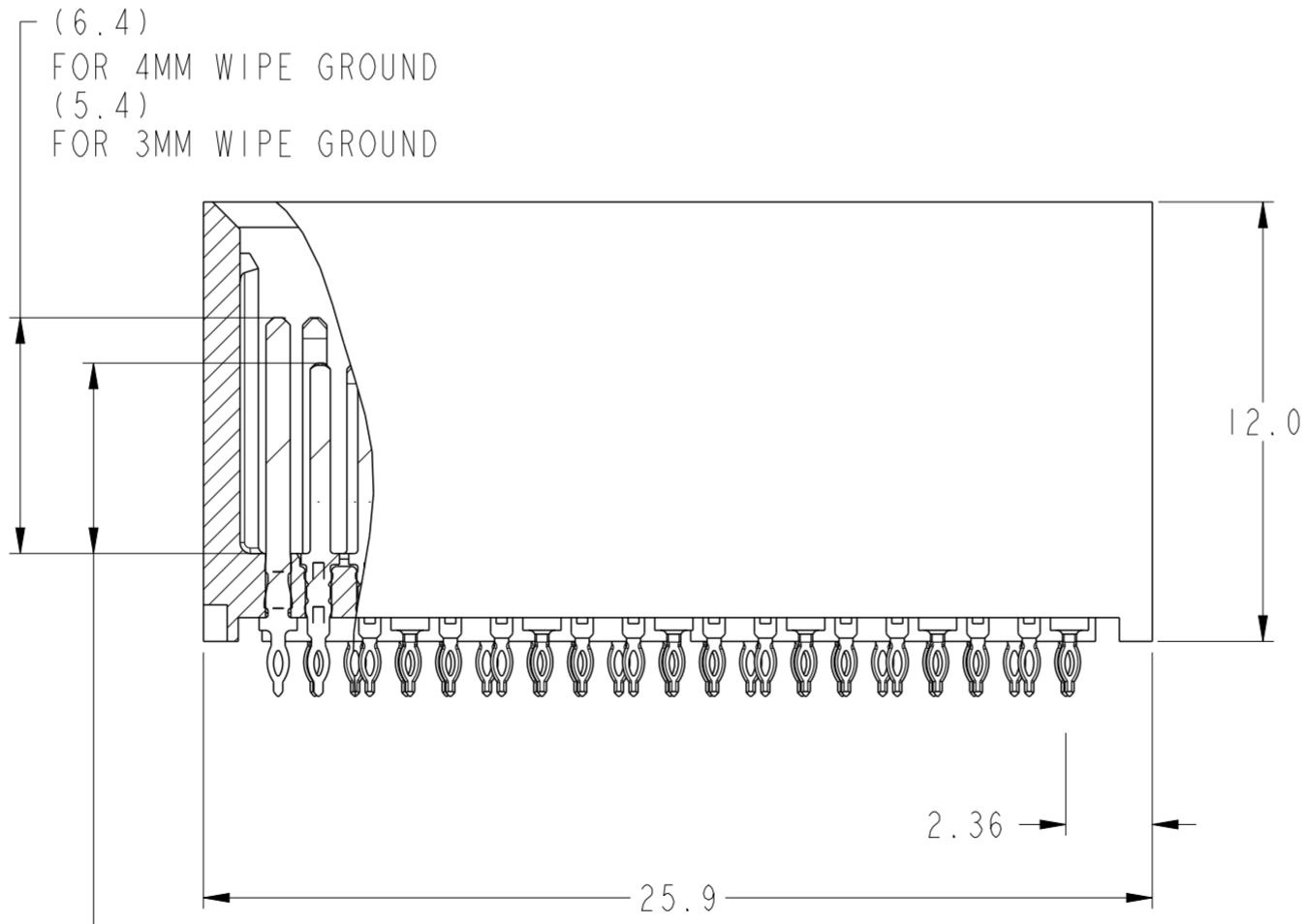
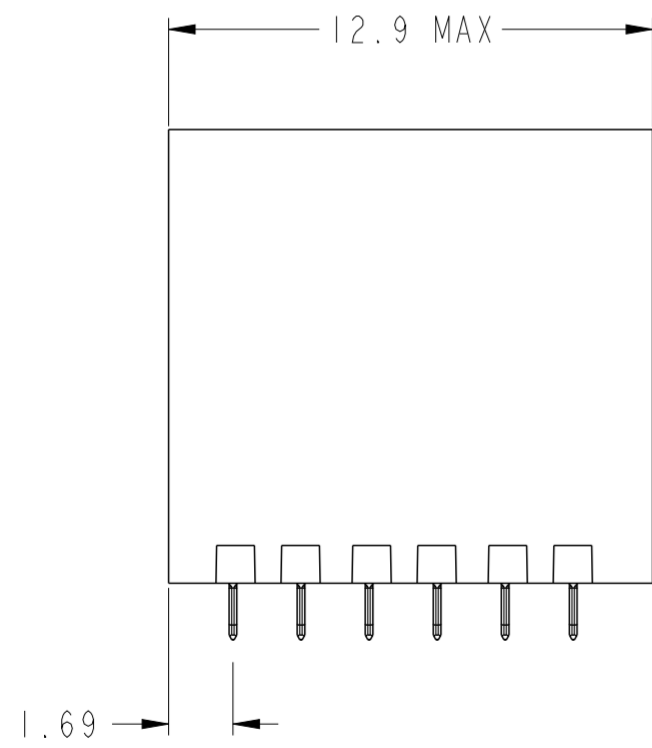
FOUR WALL MODULE



SEE DETAIL A ON SHEET 8 FOR PINOUT DETAILS

BP HOLE PATTERN COMPONENT SIDE

FOUR WALL MODULE BACKPLANE FOOTPRINT

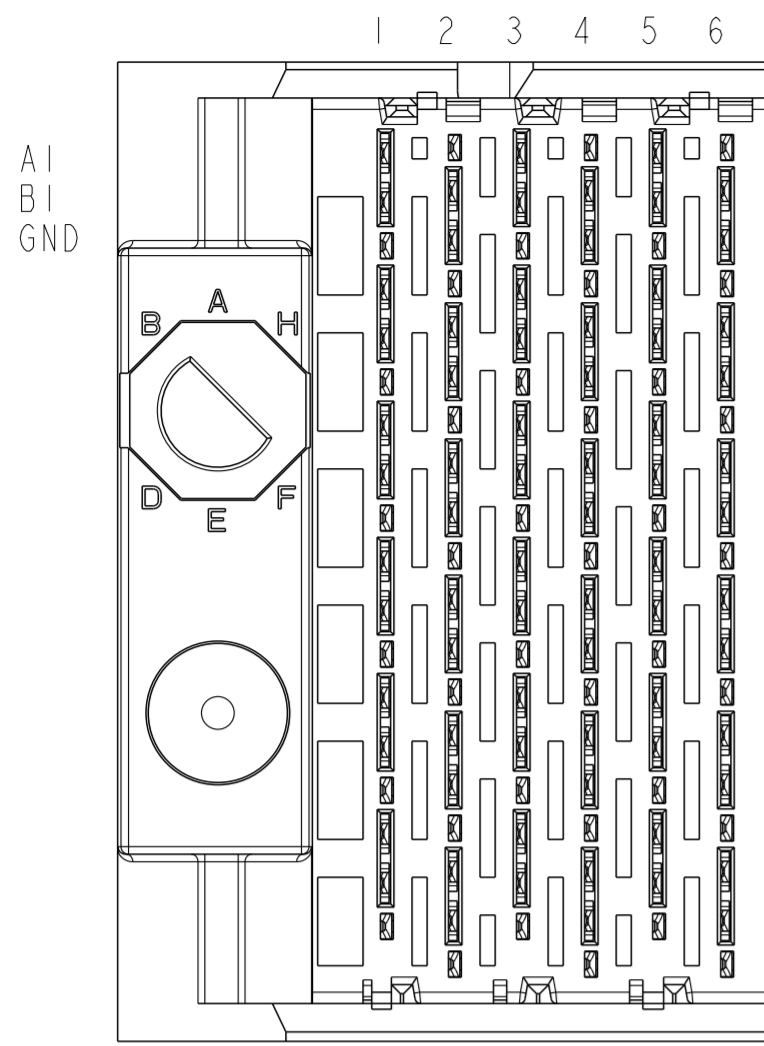


(1.5) TAIL LENGTH

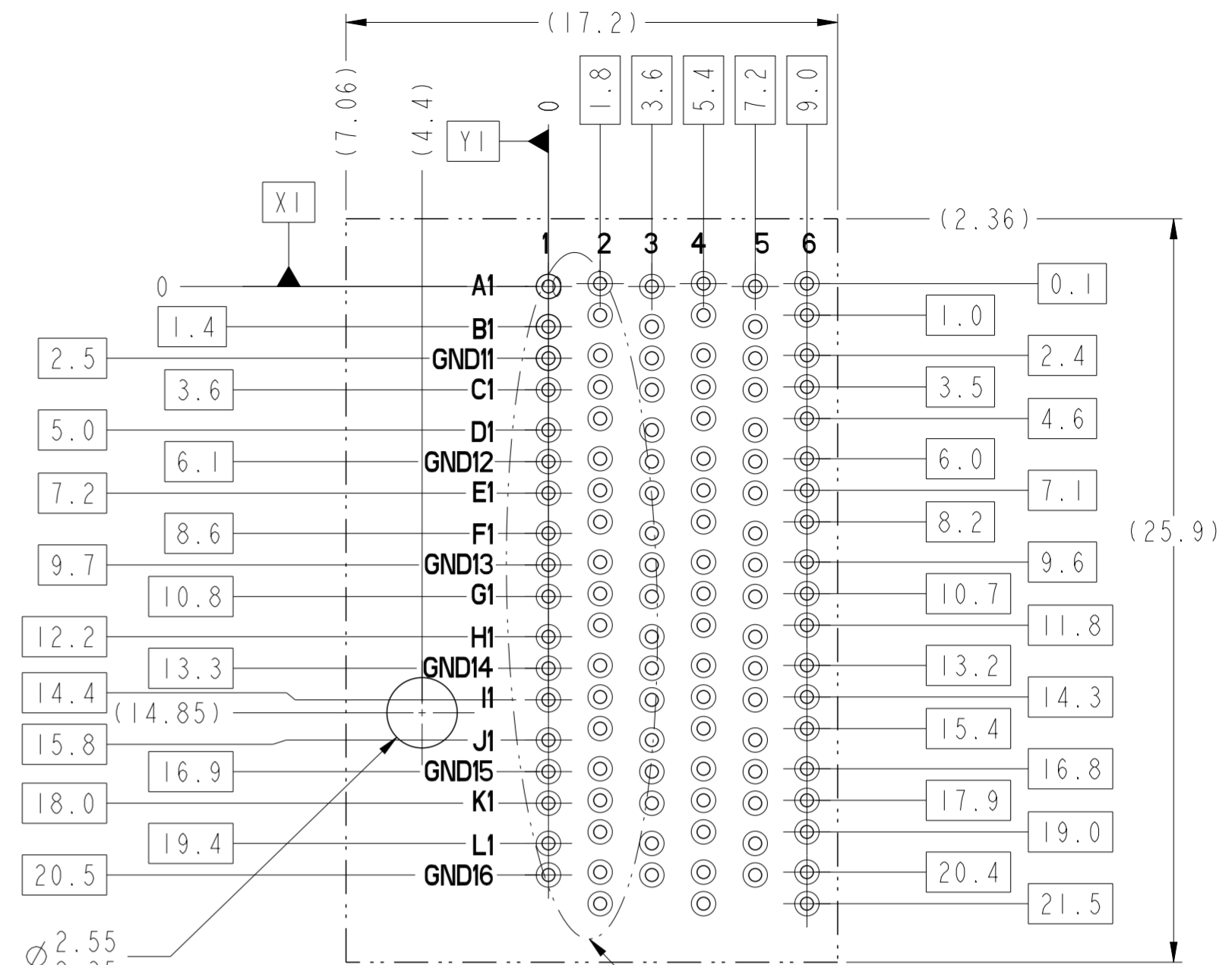
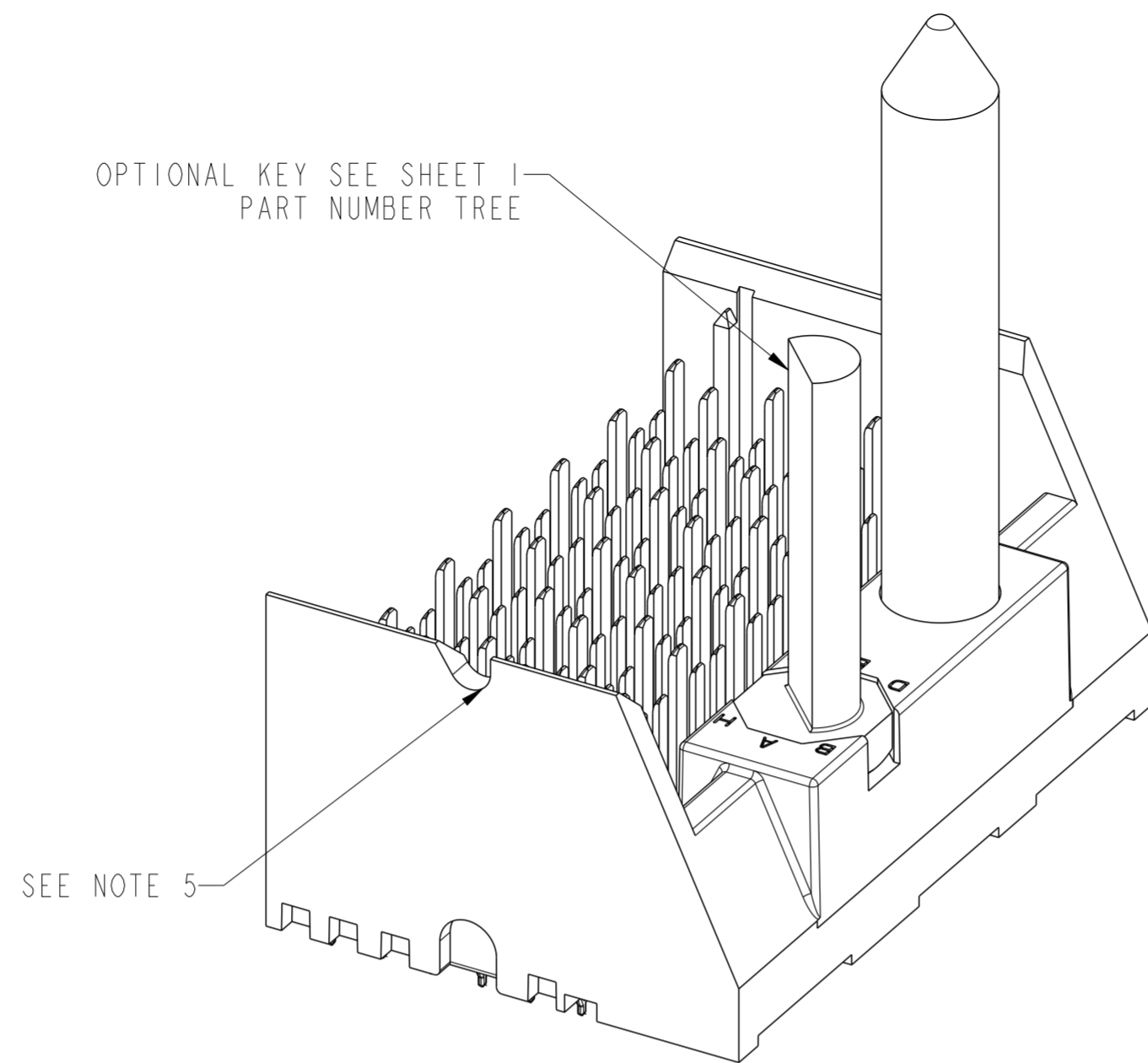
Amphenol FCI

© 2016 AFCI

spec ref	-	dr	Mary Glass	2012/02/09	projection	MM	size	A2	scale	5:1
tolerance std	ASME Y14.5	eng	Sandar Soe	2016/03/08			ecn no	ELX-S-17624-1	rel level	Released
TOLERANCES UNLESS OTHERWISE SPECIFIED		chr	-	appr			Chen-Hong Tan	2016/03/17		product family
surface	linear	0.X	±0.3		VERTICAL HEADER ASSEMBLY XCEDE HD 6 PAIR, 6 COLUMN		dwg no	10119130	rev	C
		0.XX	±0.10		www.fci.com	cat. no.	-	Product - Customer Drw	sheet 5 of 8	
	angular	0°	±2°		PDS: Rev :C		STATUS: Released		Printed: Mar 17, 2016	



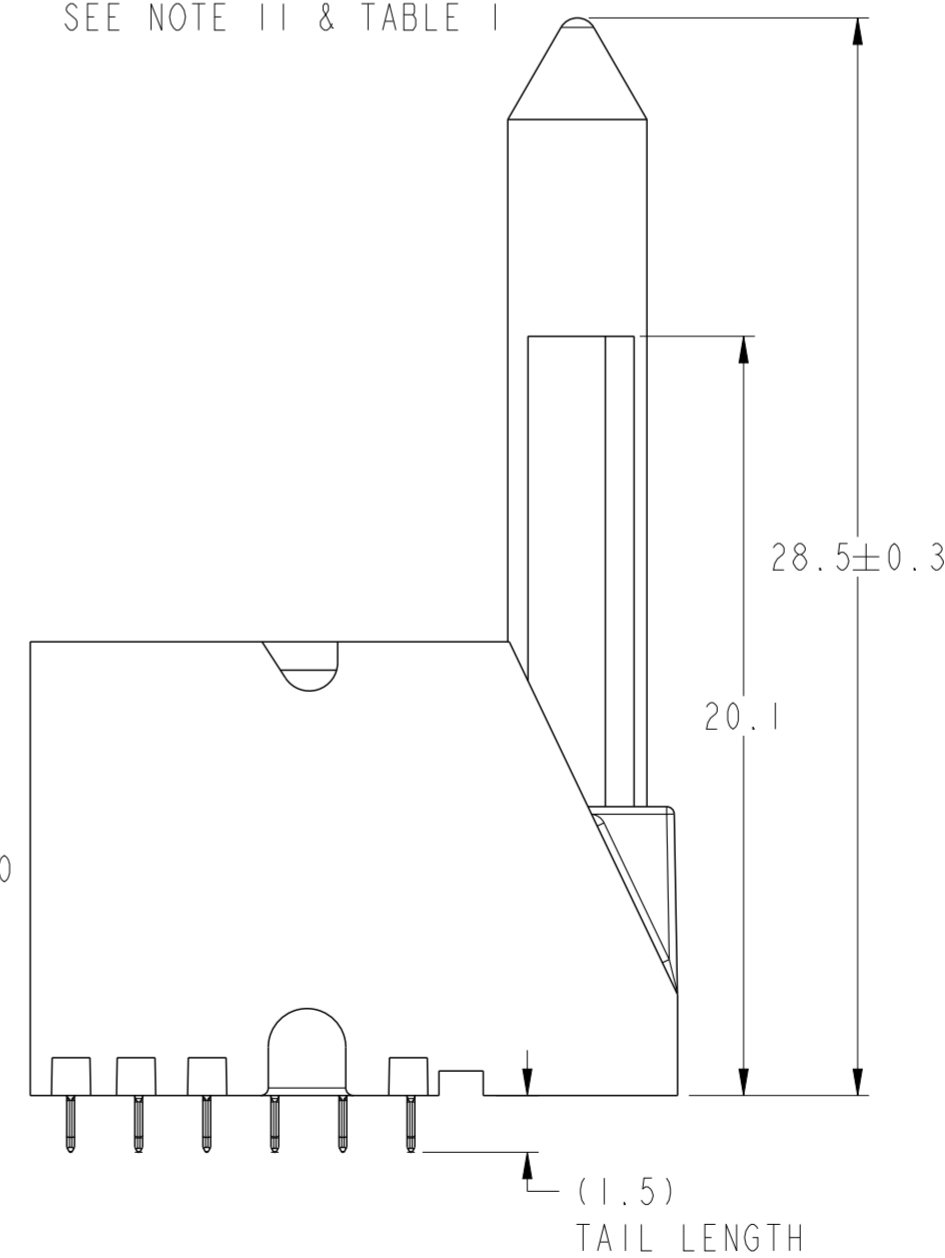
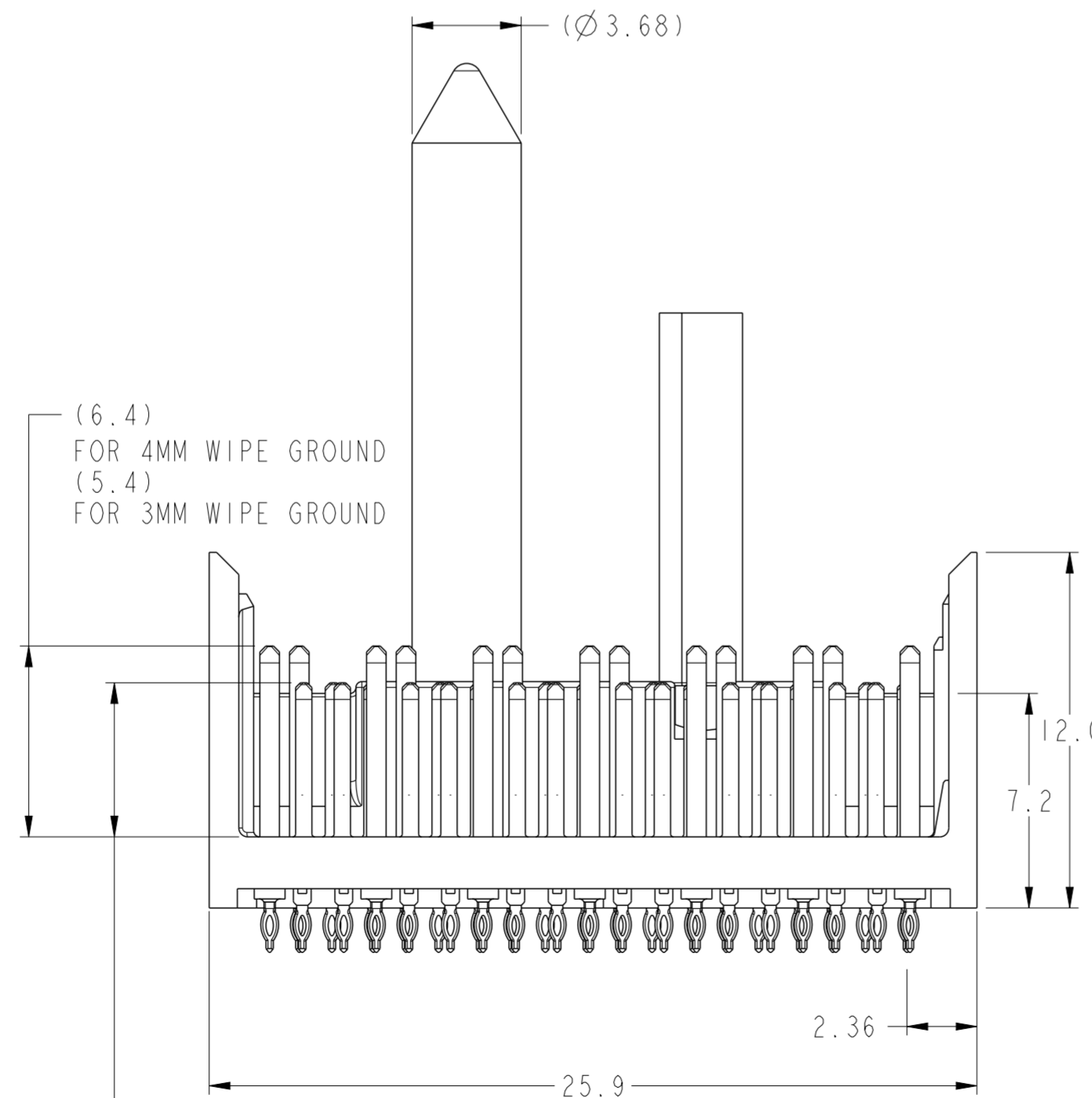
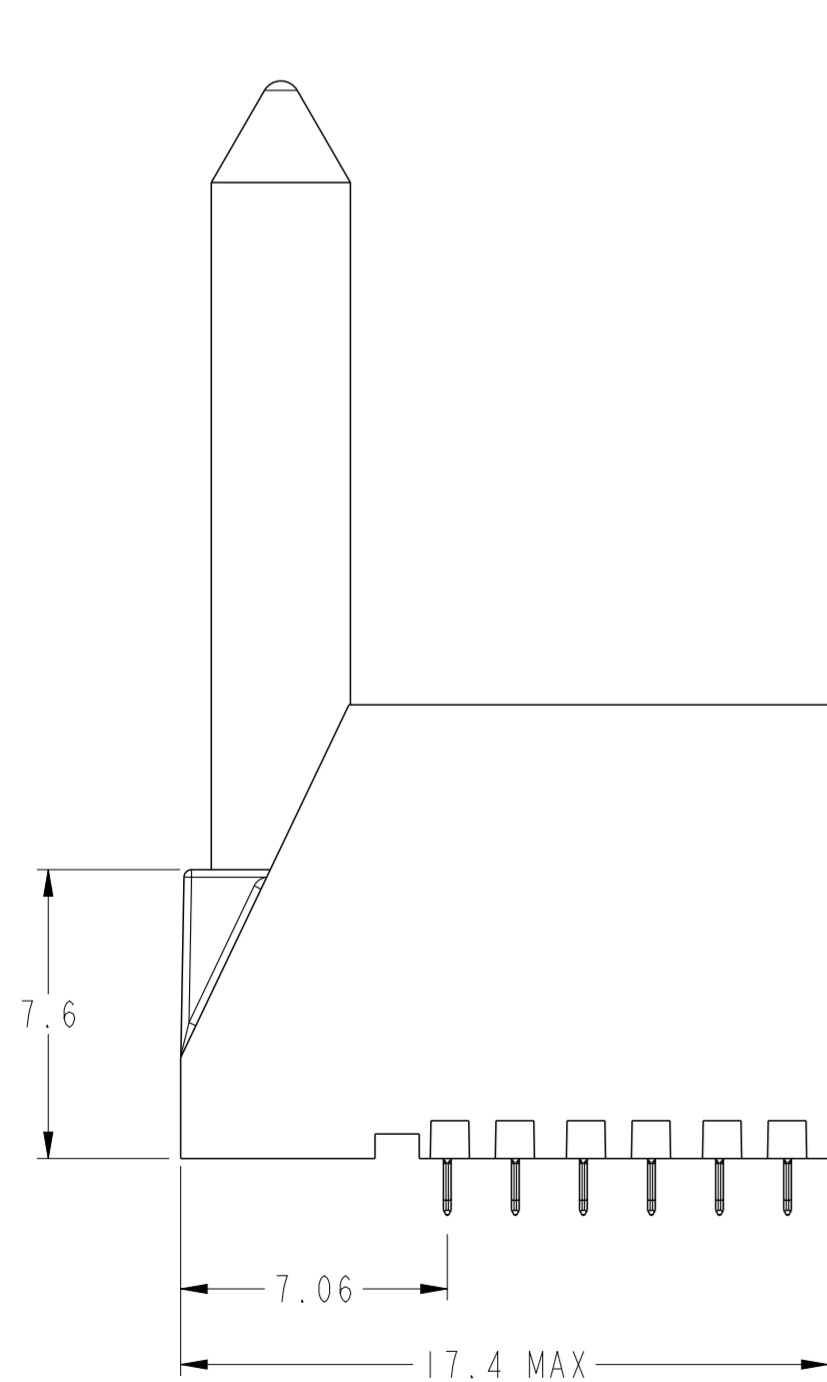
LEFT POLARIZING / GUIDE MODULE



SEE NOTE 11 & TABLE 1

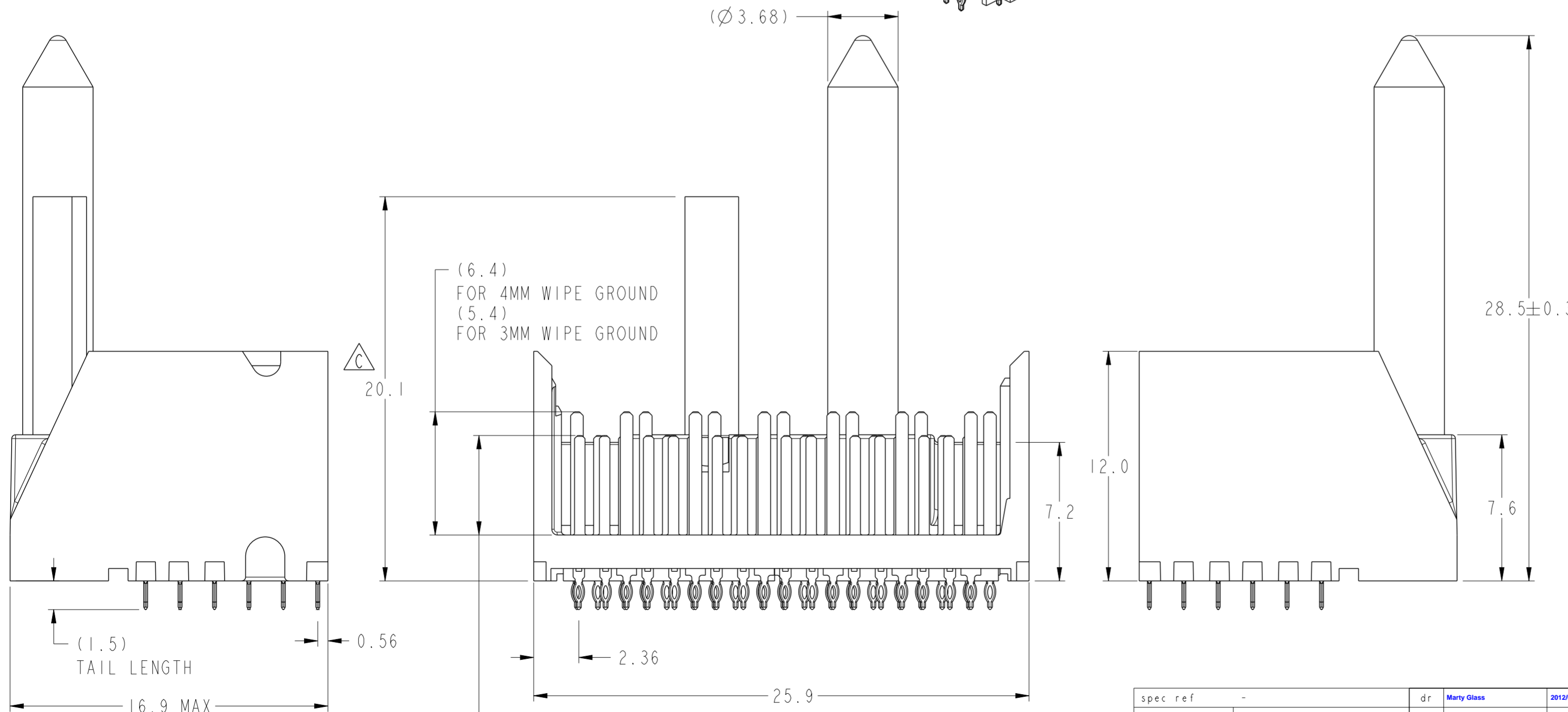
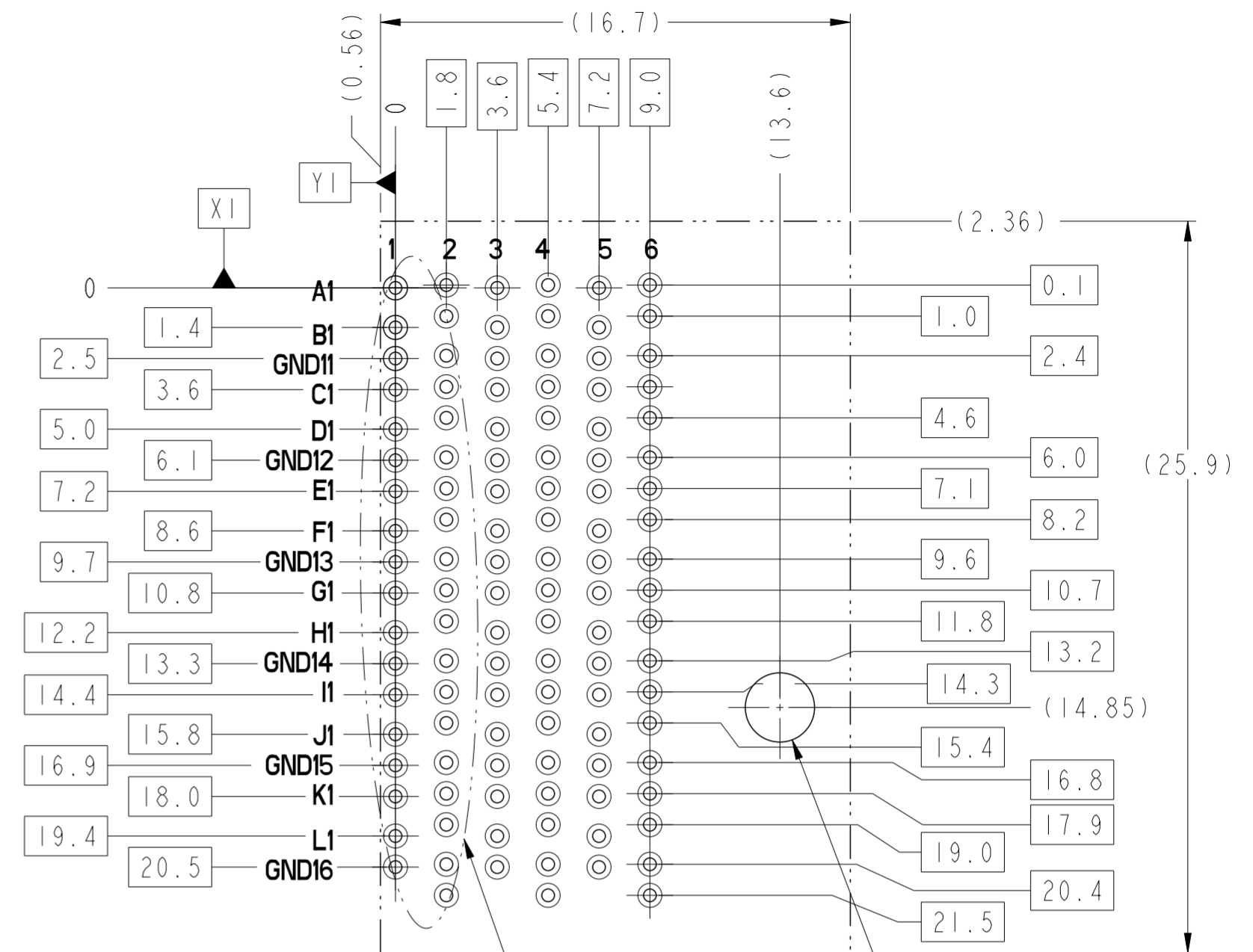
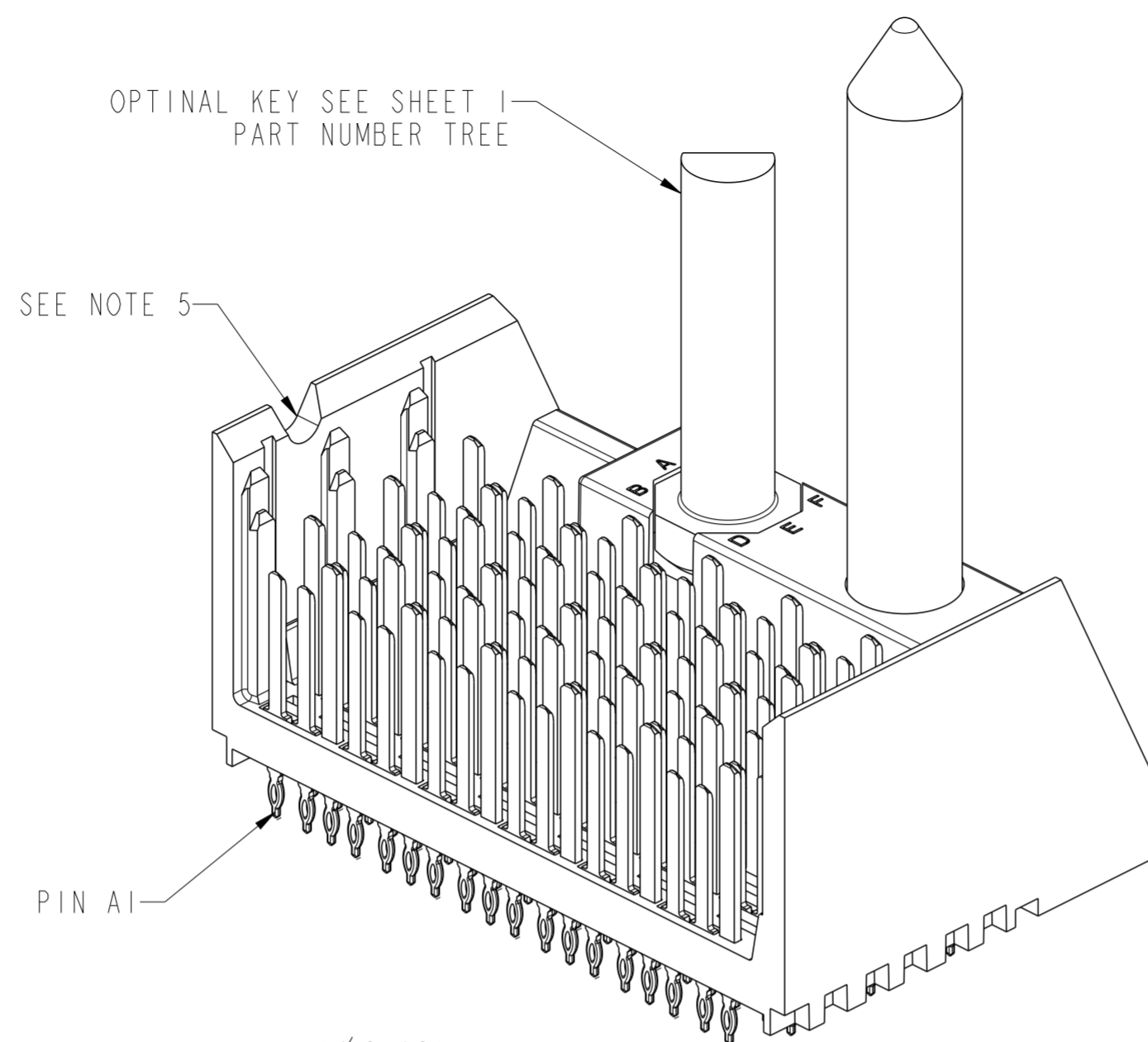
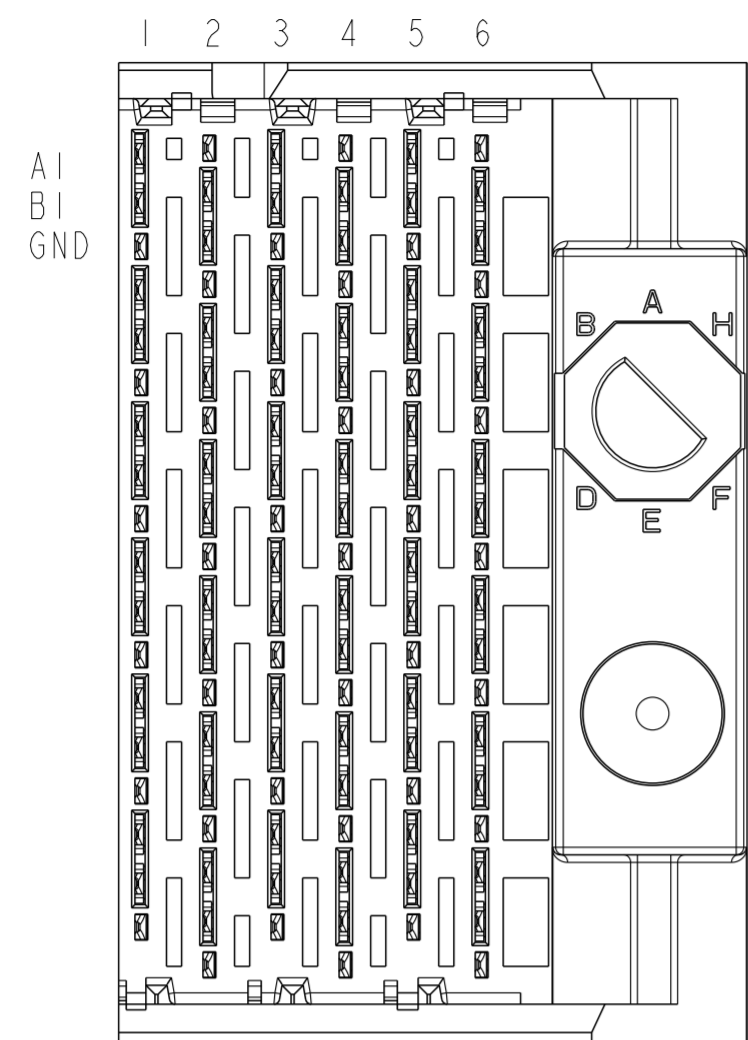
SEE DETAIL A ON SHEET 8 FOR PINOUT DETAILS

BP HOLE PATTERN COMPONENT SIDE
LEFT POLARIZING GUIDE MODULE
BACKPLANE FOOTPRINT



(5.2) FOR 3MM WIPE SIGNAL
(4.2) FOR 2MM WIPE SIGNAL

spec ref	-	dr	Mary Glass	2012/02/09	projection	MM	size	A2	scale	5:1
tolerance std	ASME Y14.5	eng	Sandar Soe	2016/03/08	chr	-	ecn no	ELX-S-17624-1	rel level	Released
surface	linear	app'r	Chen-Hong Tan	2016/03/17	product family	XCEDE HD	rel level	Released	cat. no.	10119130
ASME Y14.5	angular	0°	±2°	0.X	±0.3	0.XX	±0.10	0.XXX	±0.05	www.fci.com
TOLERANCES UNLESS OTHERWISE SPECIFIED		Amphenol FCI		VERTICAL HEADER ASSEMBLY		XCEDE HD 6 PAIR, 6 COLUMN		Product - Customer Drw		sheet 6 of 8



BP HOLE PATTERN COMPONENT SIDE
RIGHT POLARIZING GUIDE MODULE
BACKPLANE FOOTPRINT

SEE DETAIL A
ON SHEET 8 FOR
PINOUT DETAILS

SEE NOTE 11 & TABLE 1

spec ref	-	dr	Mary Glass	2012/02/09	projection	MM	size	A2	scale	5:1
tolerance std	ASME Y14.5	eng	Sandar Soe	2016/03/08	chr	-	ecn no	ELX-S-17624-1	rel level	Released
surface	linear	app'r	Chen-Hong Tan	2016/03/17	product family	XCEDE HD	rel level	Released	cat. no.	10119130
ASME Y14.5	angular	0°	±2°	0.X	±0.3	0.XX	±0.10	0.XXX	±0.05	www.fci.com

Amphenol FCI
VERTICAL HEADER ASSEMBLY
XCEDE HD 6 PAIR, 6 COLUMN

Product - Customer Drw
sheet 7 of 8

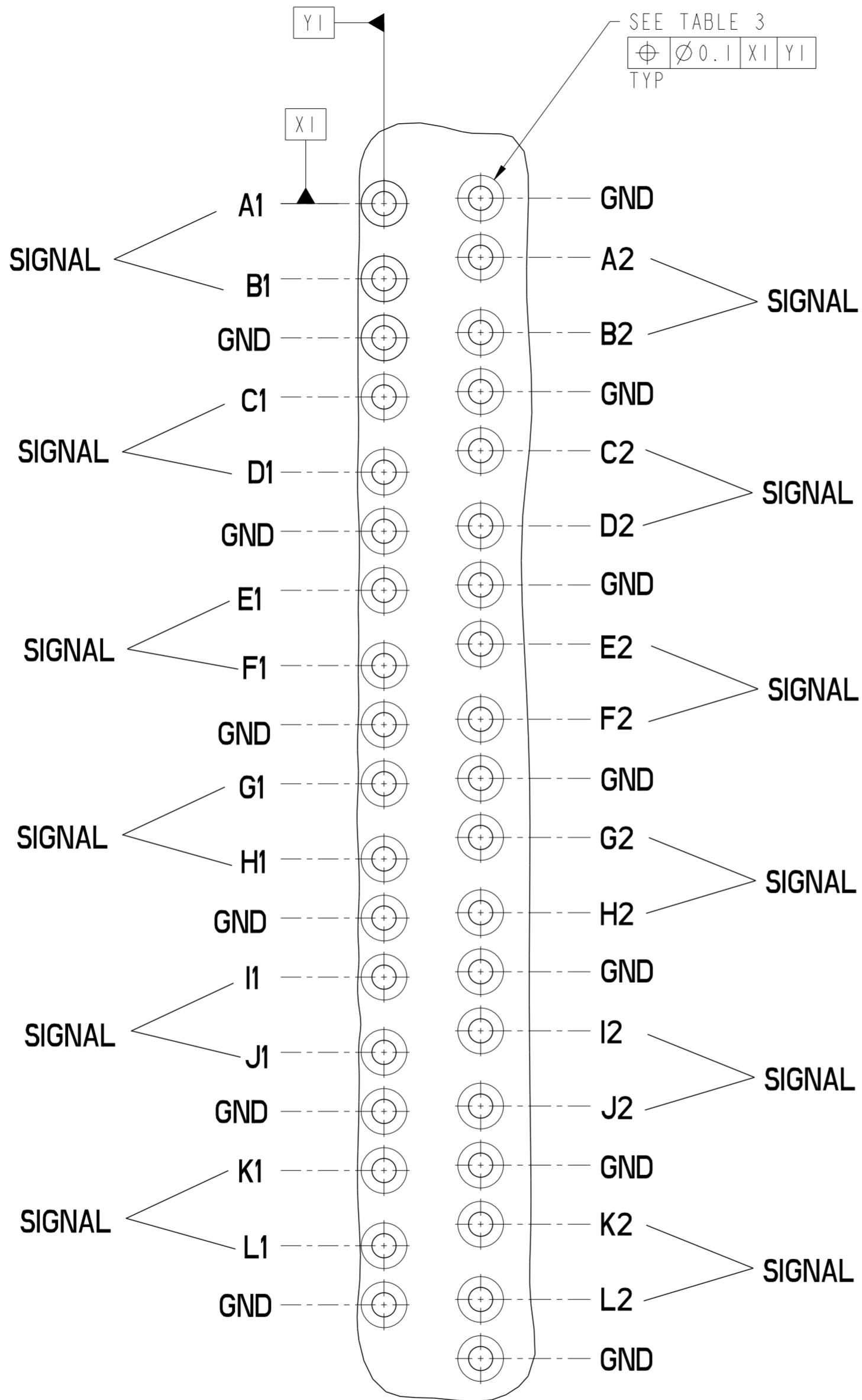


TABLE 3		
	COMPLIANT PIN DRILL $\varnothing 0.55[0.0217"]$	COMPLIANT PIN DRILL $\varnothing 0.45[0.0117"]$
PTH	$\varnothing 0.45 \pm 0.05$	$\varnothing 0.36 \pm 0.05$
DRILL	$\varnothing 0.55[0.0217"]$	$\varnothing 0.45[0.0117"]$
PAD	$\varnothing 0.85$	$\varnothing 0.75$

NOTES:

1. CONNECTOR MATERIALS
SHROUD : HIGH-TEMP POLYMER, COLOR : BLACK, UL94V-0
CONTACTS : HIGH PERFORMANCE COPPER ALLOY
2. PRODUCT SPECIFICATION : GS-12-0936
3. APPLICATION SPECIFICATION : GS-20-0348
4. PRODUCT MARKING :
PART NUMBER (10119130-X0C-XXXXLF)
"FCI" AND DATE CODE (FCI P#####)
- ⑤ NOTCH DESIGNATES "ROW A" SIDE OF CONNECTOR. NOTCH FEATURE ON OPPOSITE FOR PRODUCT MARKING.
- ⑥ PLATING THICKNESS OF SIGNAL & GROUND CONTACT ARE DETERMINED BY PLATING CODE, REFER TO P/N TREE ON SHEET 1.
7. PACKAGING MEETS GS-14-920 LEAD-FREE LABELING SPECIFICATION.
- ⑧ GUIDE-PIN STYLE DESIGNATION ONLY APPLIES TO MODULE VERSIONS THAT REQUIRE GUIDE-PIN HARDWARE. FOR ALL NON-GUIDE-PIN VERSIONS, THE DEFAULT DASH-NUMBER DIGIT IN THAT LOCATION IS STILL '0'.
- ⑨ SEE APPLICATION SPECIFICATION FOR ROUTING GUIDELINES, ADDITIONAL PTH GUIDELINES, MATED DIMENSIONS, GUIDE PIN SELECTION, ETC.
10. A $\triangle C$ SYMBOL WILL BE NEXT TO ANY DIMENSION, VIEW OR NOTE THAT HAS BEEN MODIFIED WITH THE CURRENT DRAWING REVISION.
- ⑪ OPTIONAL HOLE LOCATION FOR GROUNDED PIN OR ADDITIONAL GUIDE-PIN SUPPORT. SEE TABLE 1 SHEET 1 FOR ADDITIONAL DETAILS.
- ⑫ SCREW IS OPTIONAL AND ENGAGES WITH BOTTOM OF GUIDE PIN FROM BENEATH THE PCB FOR ADDITIONAL GUIDE-PIN SUPPORT.

DETAIL A
SCALE 12:1
PINOUT DETAILS

Amphenol
FCi

© 2016 AFci

spec ref	-	dr	Mary Glass	2012/02/09	projection	MM	size	A2	scale	3:1
tolerance std	ASME Y14.5	eng	Sandar Soe	2016/03/08	chr	-	ecn no	ELX-S-17624-1		
	TOLERANCES UNLESS OTHERWISE SPECIFIED	appr	Chen-Hong Tan	2016/03/17	product family	XCEDE HD	rel level	Released		
surface	linear	0.X	± 0.3	Amphenol FCi www.fci.com	VERTICAL HEADER ASSEMBLY XCEDE HD 6 PAIR, 6 COLUMN	cat. no.	10119130	rev	C	sheet 8 of 8
	0.XX	± 0.10								
	0.XXX	± 0.05								
ASME Y14.5	angular	0°	$\pm 2^\circ$							

Mouser Electronics

Authorized Distributor

Click to View Pricing, Inventory, Delivery & Lifecycle Information:

FCI:

[10119130-U0C-10DLF](#) [10119130-U0C-50DLF](#) [10119130-G0C-30DLF](#) [10119130-L0C-20DLF](#) [10119130-W0C-40DLF](#) [10119130-E0C-60DLF](#) [10119130-W0C-80DLF](#) [10119130-J0C-80DLF](#) [10119130-G0C-70DLF](#) [10119130-G0C-50DLF](#) [10119130-F0C-20DLF](#) [10119130-Y0C-10DLF](#) [10119130-10C-10DLF](#) [10119130-00C-20DLF](#) [10119130-A0C-80DLF](#) [10119130-C0C-50DLF](#) [10119130-B0C-20DLF](#) [10119130-S0C-80DLF](#) [10119130-D0C-10DLF](#) [10119130-P0C-10DLF](#) [10119130-R0C-30DLF](#) [10119130-V0C-80DLF](#) [10119130-R0C-70DLF](#) [10119130-F0C-60DLF](#) [10119130-T0C-40DLF](#) [10119130-C0C-10DLF](#) [10119130-10C-50DLF](#) [10119130-T0C-80DLF](#) [10119130-P0C-60DLF](#) [10119130-T0C-10DLF](#) [10119130-V0C-40DLF](#) [10119130-P0C-20DLF](#) [10119130-F0C-40DLF](#) [10119130-H0C-40DLF](#) [10119130-10C-20DLF](#) [10119130-V0C-50DLF](#) [10119130-00C-10DLF](#) [10119130-C0C-70DLF](#) [10119130-Q0C-10DLF](#) [10119130-00C-40DLF](#) [10119130-H0C-10DLF](#) [10119130-S0C-40DLF](#) [10119130-D0C-30DLF](#) [10119130-10C-80DLF](#) [10119130-00C-60DLF](#) [10119130-W0C-60DLF](#) [10119130-L0C-80DLF](#) [10119130-Y0C-20DLF](#) [10119130-C0C-60DLF](#) [10119130-A0C-10DLF](#) [10119130-E0C-20DLF](#) [10119130-M0C-50DLF](#) [10119130-Y0C-70DLF](#) [10119130-Y0C-50DLF](#) [10119130-L0C-70DLF](#) [10119130-S0C-30DLF](#) [10119130-P0C-50DLF](#) [10119130-E0C-30DLF](#) [10119130-M0C-20DLF](#) [10119130-F0C-50DLF](#) [10119130-H0C-80DLF](#) [10119130-F0C-80DLF](#) [10119130-T0C-60DLF](#) [10119130-Q0C-60DLF](#) [10119130-A0C-60DLF](#) [10119130-S0C-50DLF](#) [10119130-W0C-50DLF](#) [10119130-D0C-50DLF](#) [10119130-Y0C-60DLF](#) [10119130-S0C-70DLF](#) [10119130-J0C-30DLF](#) [10119130-B0C-70DLF](#) [10119130-P0C-70DLF](#) [10119130-S0C-10DLF](#) [10119130-10C-70DLF](#) [10119130-T0C-50DLF](#) [10119130-G0C-40DLF](#) [10119130-C0C-80DLF](#) [10119130-00C-50DLF](#) [10119130-M0C-40DLF](#) [10119130-W0C-30DLF](#) [10119130-V0C-30DLF](#) [10119130-J0C-70DLF](#) [10119130-G0C-10DLF](#) [10119130-C0C-40DLF](#) [10119130-Q0C-30DLF](#) [10119130-Q0C-80DLF](#) [10119130-W0C-70DLF](#) [10119130-V0C-10DLF](#) [10119130-U0C-60DLF](#) [10119130-R0C-50DLF](#) [10119130-R0C-10DLF](#) [10119130-U0C-80DLF](#) [10119130-R0C-60DLF](#) [10119130-T0C-30DLF](#) [10119130-P0C-40DLF](#) [10119130-F0C-30DLF](#) [10119130-R0C-80DLF](#) [10119130-H0C-50DLF](#) [10119130-H0C-60DLF](#)