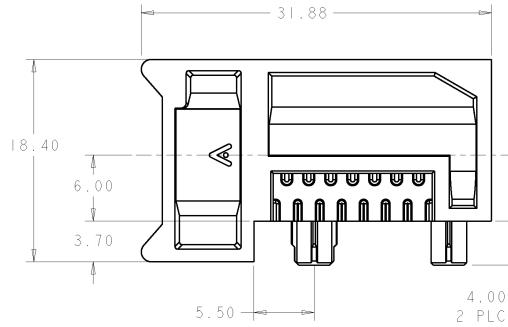
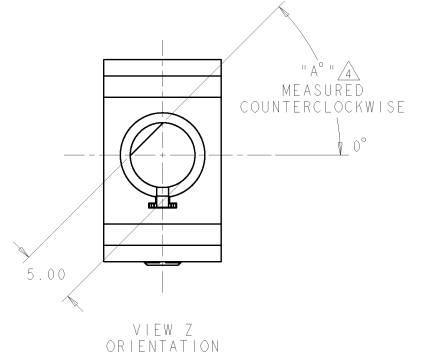
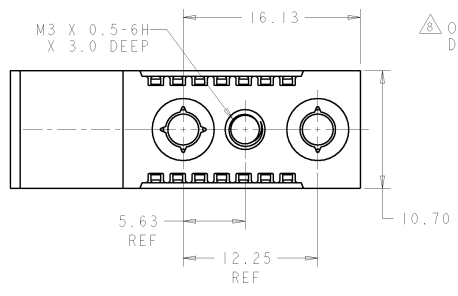


THIS DRAWING IS UNPUBLISHED. RELEASED FOR PUBLICATION BY TYCO ELECTRONICS CORPORATION. ALL RIGHTS RESERVED.

REV	DATE	BY	CHK	APPD
A	REV PER ECO-0512-0206-05	18APR2005	BC	GG
A1	REV PER ECO-07-018424	04SEP2007	BC	GG
A2	REVISED PER ECO-09-025699	11-DEC-2009	KK	AEG

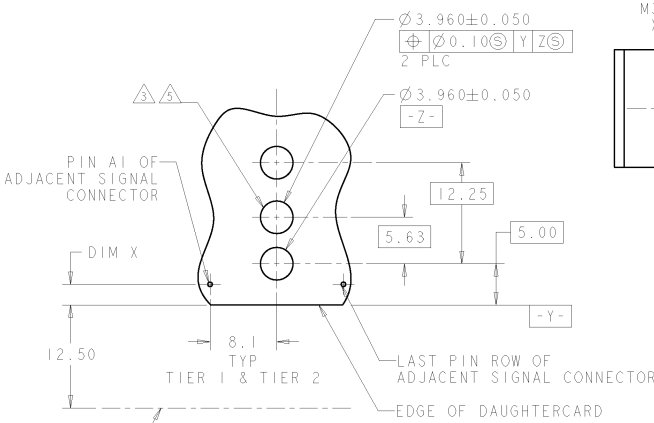


- △ MATERIAL: HOUSING: ZINC ALLOY DIE CASTING, ZAMAK 3
- △ FINISH: HOUSING: CHROMATE CONVERSION COATING
- △ HOLE FOR POSITIVE RETENTION SCREW
- △ DASH NUMBERS INDICATE KEY ORIENTATION (P/N 1410546-2 & 1-1410546-2 SHOWN ON DRAWING)
- △ GROUND PAD Ø5mm ON BOTH SIDE OF PCB
- △ GUIDE MODULE W/O KEYING FEATURE
- △ FINISH: HOUSING: NICKEL OVER COPPER.
- △ OBSOLETE PARTS: OBSOLETE CIS STREAMLINING PER D.RENAUD/D.SINISI



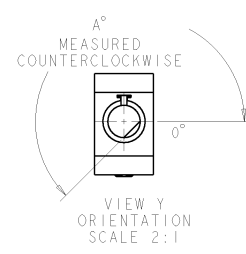
VIEW	ANGLE	PART NUMBER
VIEW W	315°	1-1410546-9
VIEW Z	270°	1-1410546-8
VIEW Y	225°	1-1410546-7
VIEW Y	180°	1-1410546-6
VIEW Y	135°	1-1410546-5
VIEW Z	90°	1-1410546-4
VIEW Z	45°	1-1410546-3
VIEW Z	0°	1-1410546-2
VIEW Z	0°	1-1410546-1
VIEW W	315°	1410546-9
VIEW Z	270°	1410546-8
VIEW Y	225°	1410546-7
VIEW Y	180°	1410546-6
VIEW Y	135°	1410546-5
VIEW Y	90°	1410546-4
VIEW Z	45°	1410546-3
VIEW Z	0°	1410546-2
VIEW Z	0°	1410546-1

- SUPERCEDED BY 1-1410546-9
- SUPERCEDED BY 1-1410546-7
- SUPERCEDED BY 1-1410546-6
- SUPERCEDED BY 1-1410546-3
- SUPERCEDED BY 1-1410546-2
- SUPERCEDED BY 1-1410546-1



PCB LAYOUT CONNECTOR SIDE SCALE 5:1

DIM X	2.50	2.25
	TIER 1	TIER 2



DATE: 28NOV2002	BY: VE MORANA	CHK: GRIFLTH	APP: GRIFLTH	DATE: 12APR2005	REV: 00	SCALE: 2:1	SHEET: 1 OF 1	REV: A2
DIMENSIONS: mm		TOLERANCES UNLESS OTHERWISE SPECIFIED		APPROVALS		CUSTOMER DRAWING		
0 PLC	±0.10	1 PLC	±0.15	2 PLC	±0.20	RESTRICTED TO		
3 PLC	±0.30	4 PLC	±0.50	APPLICATION SPEC: 108-2116		SIZE: CASE CODE: DRAWING NO: 1410546		
5 PLC	±0.63	ANGLES: ±0.0081		WEIGHT: -		CUSTOMER DRAWING		

Typco Electronics Harrisburg, PA 17105-3400
MULTITIG BACKPLANE CONNECTOR HOUSING, GUIDE MODULE, RIGHT ANGLE 20.3mm DAUGHTERCARD