

4

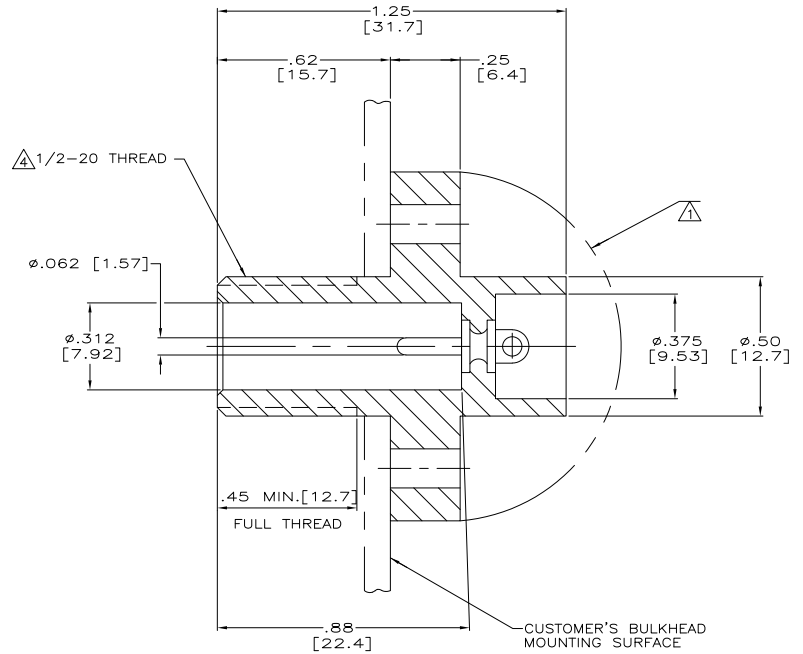
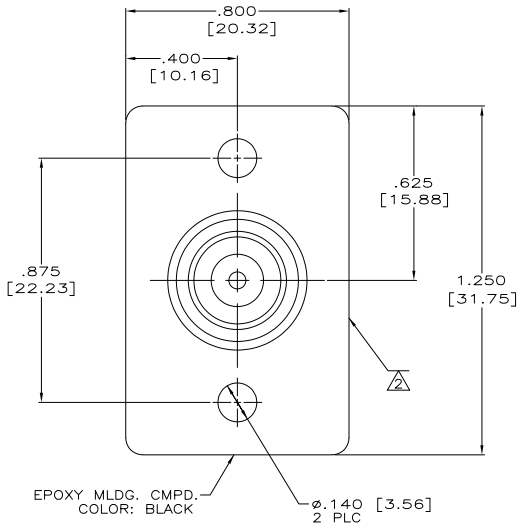
3

2

1

THIS DRAWING IS UNPUBLISHED. RELEASED FOR PUBLICATION - N/A
 © COPYRIGHT N/A BY TYCO ELECTRONICS CORPORATION. ALL INTERNATIONAL RIGHTS RESERVED.

LOC	DIST	REVISIONS					
DF	SO	P	LTR	DESCRIPTION	DATE	MIN	APD
		B		REVISED PER ECO-09-010967	05/JUN/09	CT	DE



- 1 CUSTOMER MUST PROTECT BACK END AGAINST ARC OVER & BREAKDOWN IF BULKHEAD & MOUNTING HARDWARE ARE METALLIC & AT GROUND POTENTIAL.
- 2 MARKED PER MIL-STD-130.
- 3 THIS PART REQUIRES A MINIMUM AQL 0.65 TIGHTENED-LEVEL III INSPECTION PER MIL-STD 105E. INSPECTION SAMPLE IS TO BE SEPARATELY BAGGED OR IDENTIFIED. CERTIFICATE OF COMPLIANCE IS REQUIRED WITH DELIVERY OF PARTS.
- 4 PER FEDERAL STANDARD H-28, 3 WIRE METHOD. DIMENSION OVER WIRES TO BE .497-.510 [12.62-12.95].
- 5. RECEPTACLE TO MATE WITH ANY AMP LGH-1 LEAD ASSY.

REMARKS	RCPT ASSY (TIN-LEAD PLATED PIN)	1996751-1
DESCRIPTION		PART NO.
THIS DRAWING IS A CONTROLLED DOCUMENT.		
DESIGNER: C. THOMAS	DATE: 5-15-08	Tyco Electronics Corporation Harrisburg, Pa 17105-3608
CHK: D. EARY	DATE: 5-15-08	
APP: D. EARY	NAME:	BULKHEAD RCPT ASSY LGH-1
PRODUCT SPEC:	APPLICATION SPEC:	
MATERIAL:	WEIGHT:	SIZE: A2
FINISH:		CAGE CODE: 00779
		DRAWING NO: 1996751
		RESTRICTED TO:
		CUSTOMER DRAWING
		SCALE: 4:1
		SHEET: 1 of 1
		REV: B

1471-9 (1/08)

us016412_H\docmod\1996751_1_c.dwg