

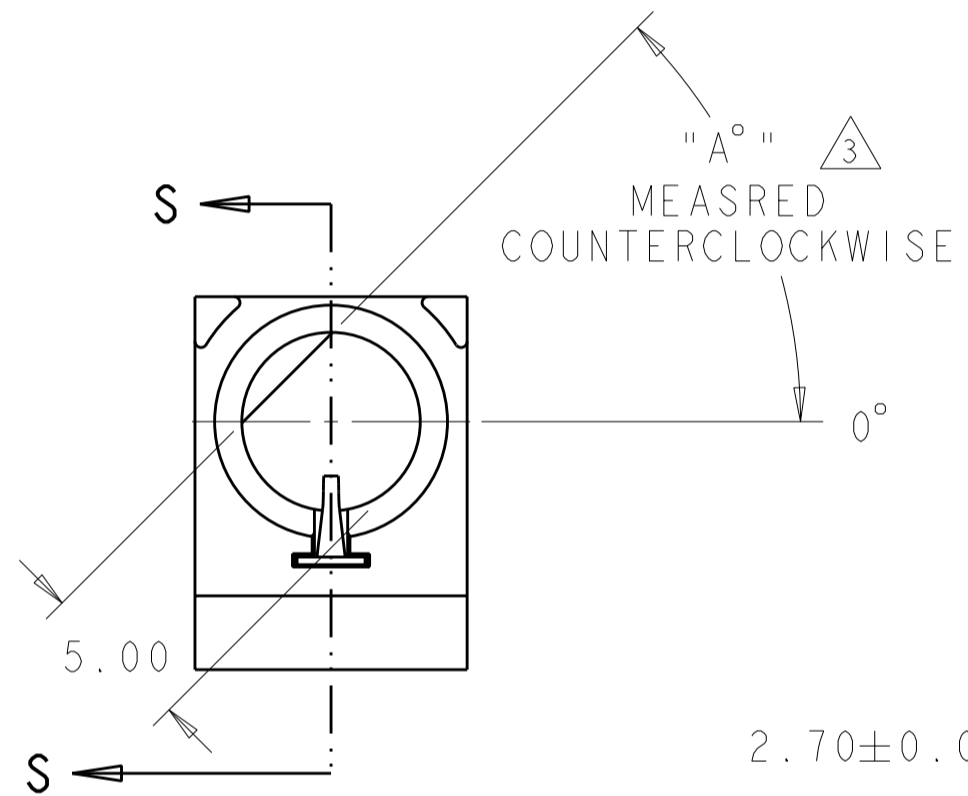
THIS DRAWING IS UNPUBLISHED. RELEASED FOR PUBLICATION 20
 © COPYRIGHT 20 BY - ALL RIGHTS RESERVED.

| LOC | DIST | REVISIONS | | | |
|-----|------|-------------|----------|-----------|-------|
| P | LTR | DESCRIPTION | DATE | DWN | APVD |
| AD | 00 | A | RELEASED | 04AUG2011 | BC AS |

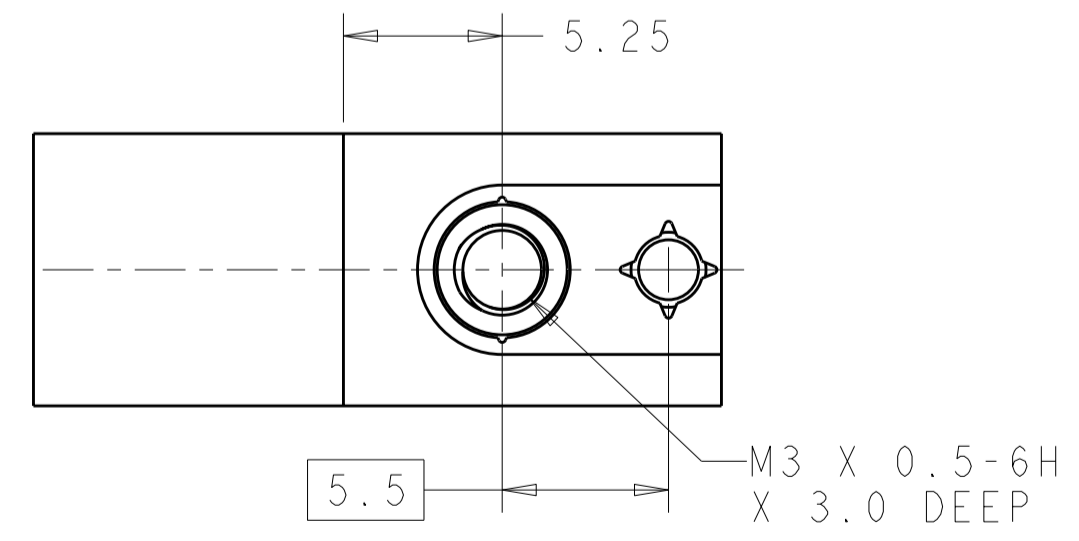
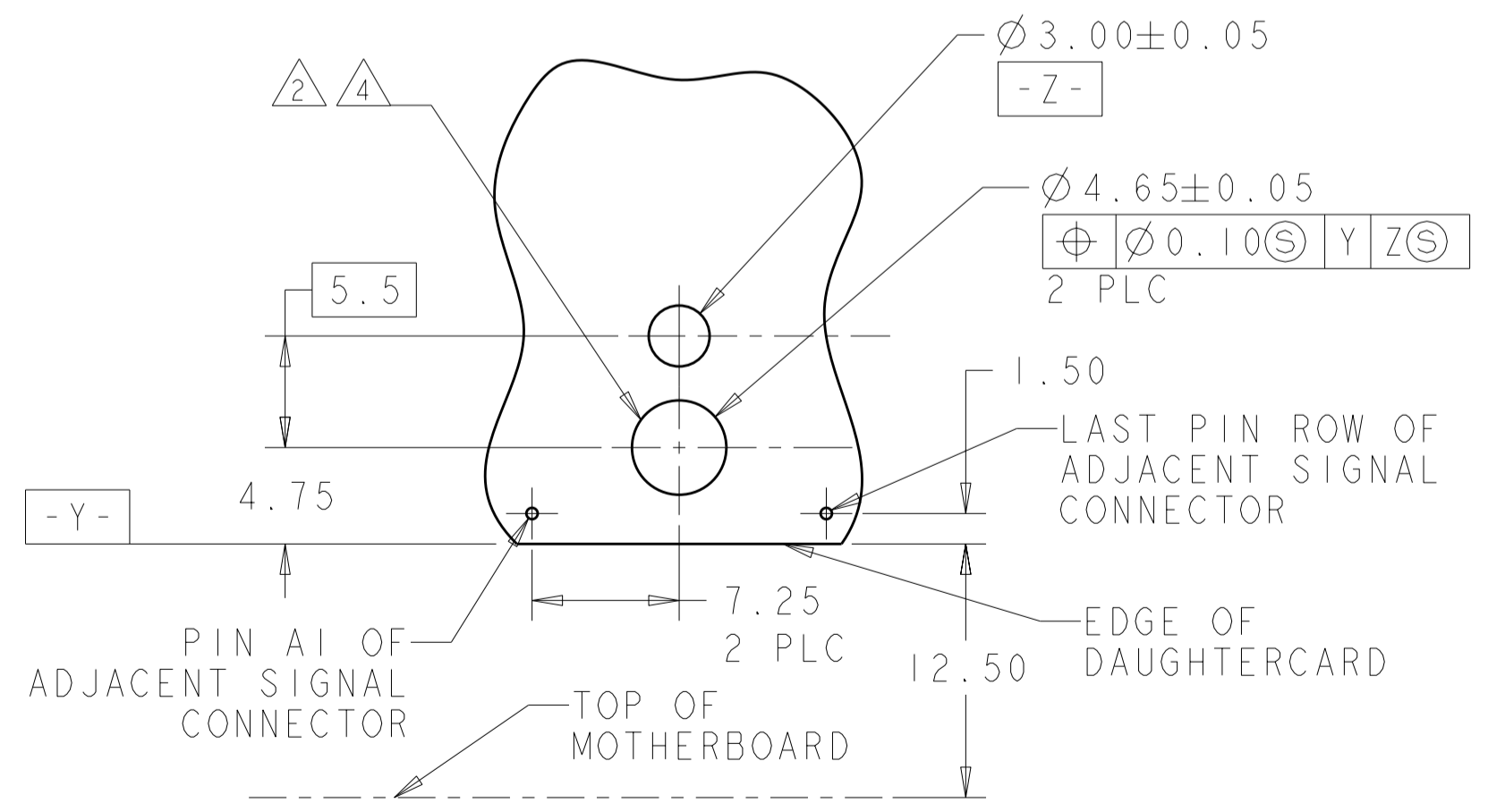
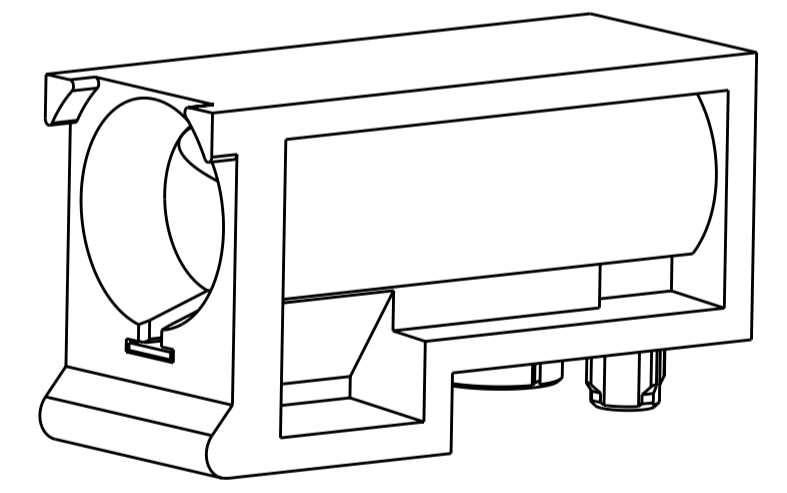
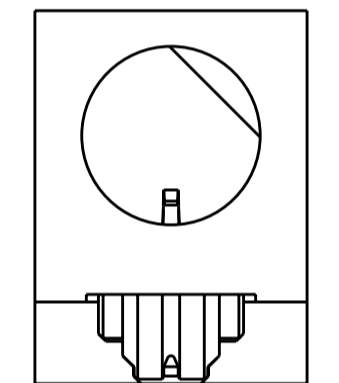
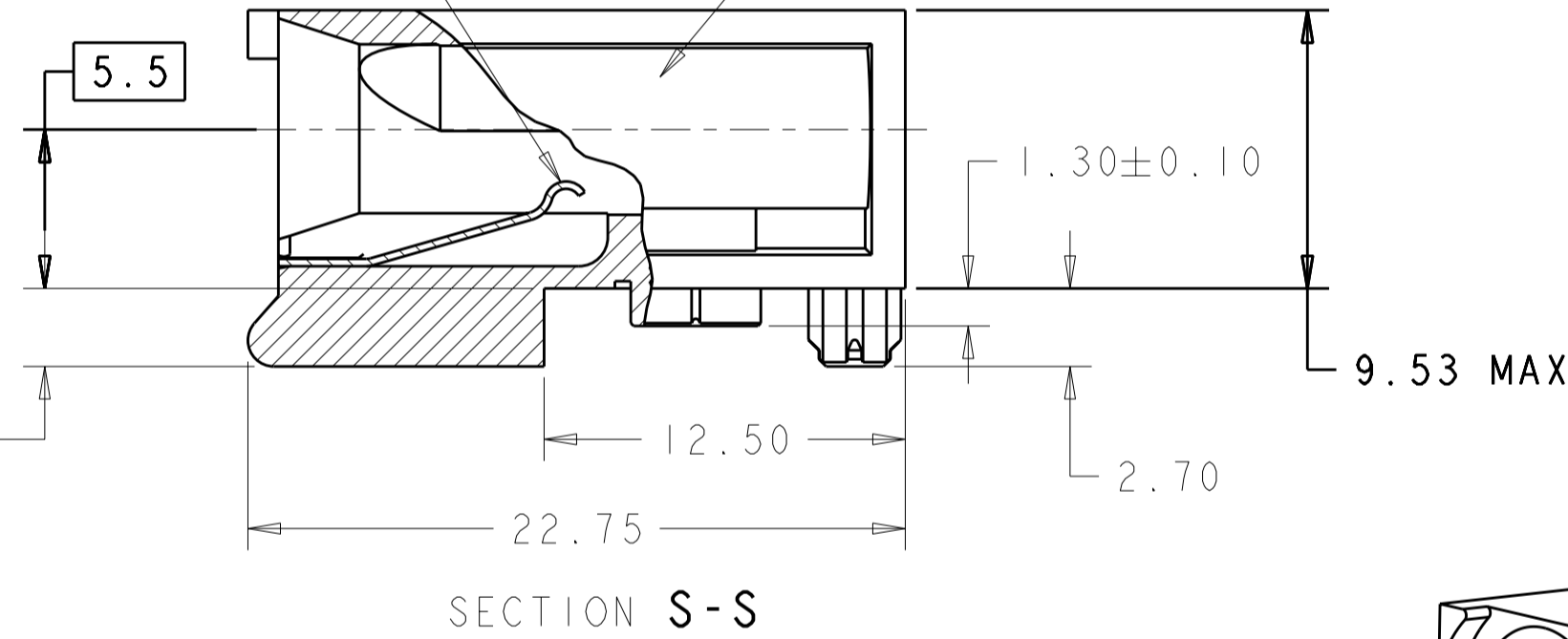
| PART NO. | "A°" | HOUSING | CONTACT |
|-------------|------|---------|---------|
| 1-1410353-1 | 0° | △5 | △6 |
| 1-1410353-2 | 45° | △5 | △6 |
| 1-1410353-3 | 90° | △5 | △6 |
| 1-1410353-7 | 270° | △5 | △6 |
| 1-1410353-8 | 315° | △5 | △6 |
| 1-1410353-9 | △7 | △5 | △6 |



- △1 MATERIAL: HOUSING: ZINC ALLOY DIE CASTING, ZAMAK 3; CONTACT: PHOSPHOR BRONZE
- △2 HOLE FOR POSITIVE RETENTION SCREW.
- △3 DASH NUMBERS INDICATE KEY ORIENTATION (P/N 1-1410353-2 SHOWN ON DRAWING)
- △4 GROUND PAD Ø5mm ON BOTH SIDE OF PCB.
- △5 FINISH: SILVER OVER NICKEL OVER COPPER
- △6 CONTACT FINISH: 3.81µm MINIMUM SILVER IN CONTACT AREA OVER 1.27µm MINIMUM NICKEL ALL OVER
- △7 GUIDE MODULE W/O KEYING; GUIDE PIN 1410354 SERIES MUST BE ORIENTED TO PROVIDE PROPER ESD PERFORMANCE



CONTACT, ESD HOUSING



| | | | | |
|--|--|---|---|--|
| THIS DRAWING IS A CONTROLLED DOCUMENT. | | DWN B. CARBO 04AUG2011 | TE Connectivity | |
| | | CHK A. SHARPE 04AUG2011 | | |
| | | APVD A. SHARPE 04AUG2011 | NAME ASSEMBLY, GUIDE MODULE/STANDOFF, RIGHT ANGLE, 20.3mm, DAUGHTERCARD, MULTIGIG | |
| DIMENSIONS: mm | | PRODUCT SPEC 108-2072 | SIZE CAGE CODE DRAWING NO | |
| TOLERANCES UNLESS OTHERWISE SPECIFIED: | | APPLICATION SPEC 114-13056 | RESTRICTED TO | |
| 0 PLC ± | | WEIGHT - | A200779C-1410353 | |
| 1 PLC ±0.5 | | CUSTOMER DRAWING SCALE 4:1 SHEET OF REV A | | |
| 2 PLC ±0.13 | | | | |
| 3 PLC ±0.01 | | | | |
| 4 PLC ±0.0001 | | | | |
| ANGLES ± | | | | |
| FINISH △5 △6 | | | | |

Mouser Electronics

Authorized Distributor

Click to View Pricing, Inventory, Delivery & Lifecycle Information:

[TE Connectivity:](#)

[1-1410353-9](#)