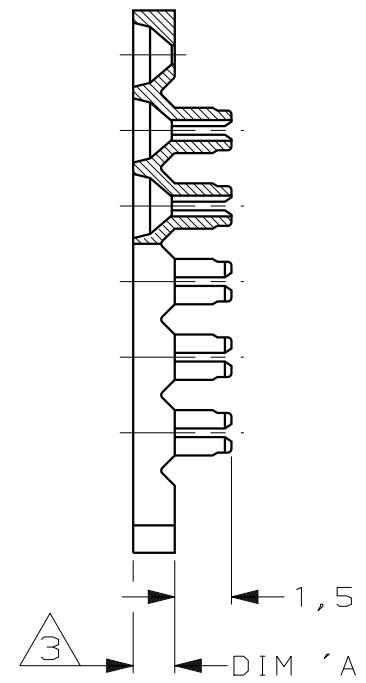
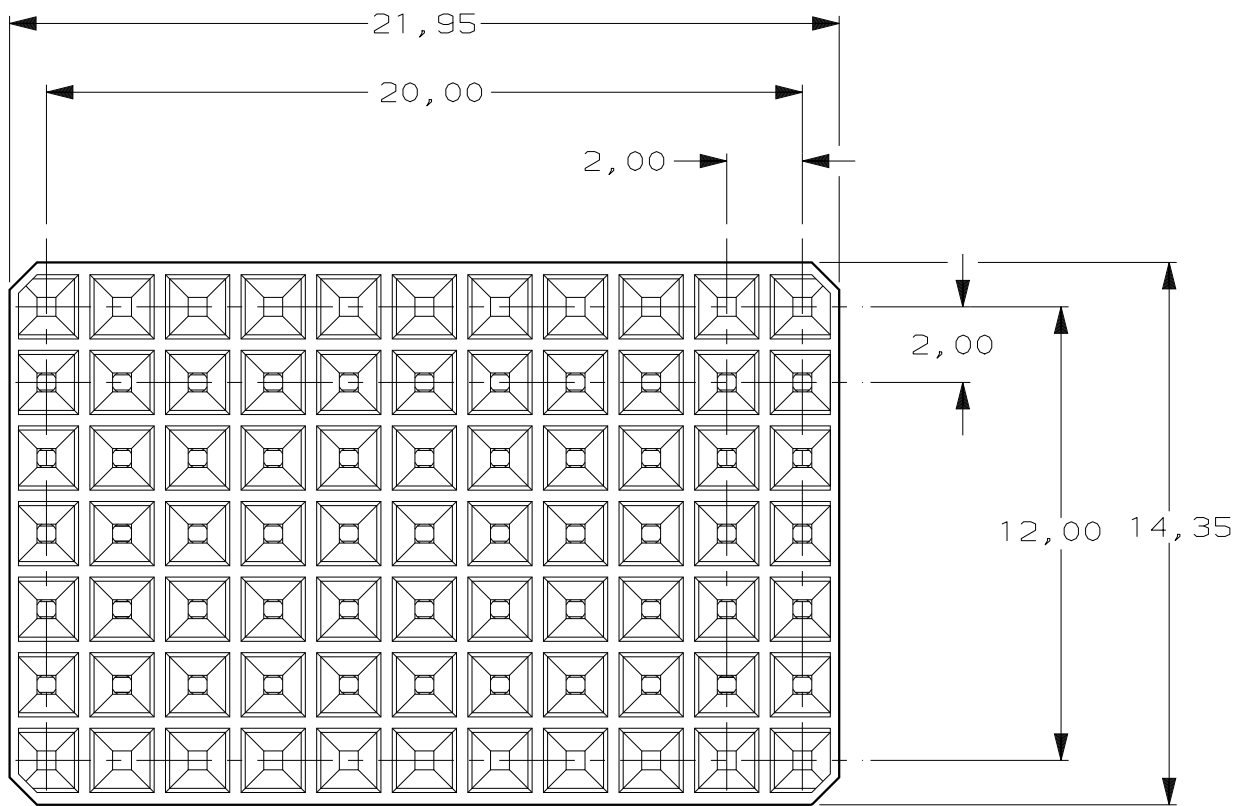


DO NOT SCALE
DIMENSIONS IN mm

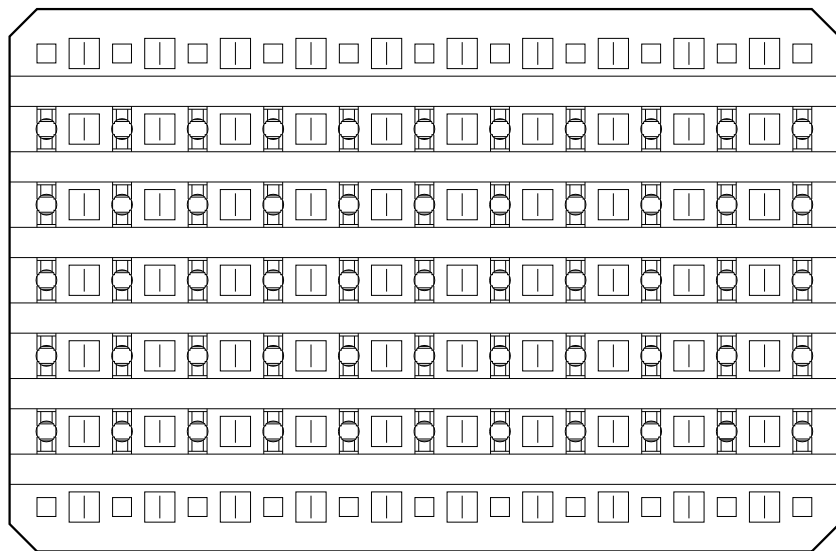
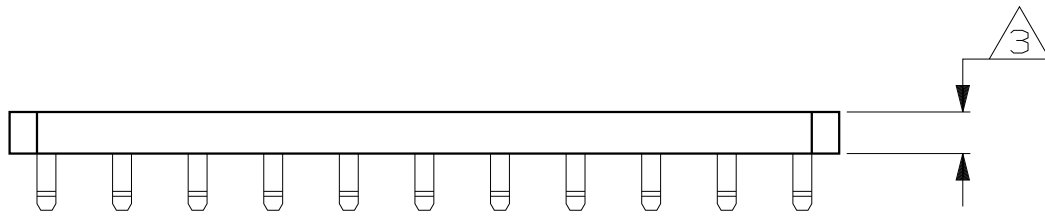
METRIC

THIRD ANGLE
PROJECTION




NOTES:

1. MATERIAL: UNFILLED POLYESTER. (GREY)
2. 0-100773-3 AS SHOWN.
3. VARIABLE HEIGHT.
4. TO DETERMINE THE RECOMMENDED SPACER-THICKNESS FOR A GIVEN PCB THICKNESS: SEE APPLICATION SPECIFICATION 114-19031.



PARTNUMBER	4 DIM "A"
0-100773-1	0,7
0-100773-2	0,9
0-100773-3	1,1
0-100773-4	1,3
0-100773-5	1,5
0-100773-6	1,7
0-100773-7	1,9

-	-	-	-	-	CUSTOMER DRAWING FOR REFERENCE ONLY WILL NOT BE UPDATED © COPYRIGHT 1994 BY AMP HOLLAND B.V. ALL INTERNATIONAL RIGHTS RESERVED. AMP PRODUCTS MAY BE COVERED BY U.S. AND FOREIGN AND/OR PATENTS PENDING. THIS DRAWING IS UNPUBLISHED RELEASED FOR PUBLICATION _____, 19____
E	-	LvdH	FvK	-	
D	EH-0682-97	LvdH	FvK	24 JUN'97	
C	EH-0304-94	J.vdK	RA	8-AUG-94	
B	EH-0649-93	LvdH	DS	21 SEP'93	
A	EH-0417-93	LvdH	DS	29 JUN'93	
O	H-10161	JvdH	DS	22-10-92	
LTR.	REVISION RECORD	DR.	CHK.	DATE	
DR. : L.V.D.HEIJDEN	CHK. : F.V.KONINGSBRUGGE	APP. : F.V.KONINGSBRUGGE	DWG.No.	REV.LTR.	SHEET
DATE: 22 OCT 1992	DATE: 24 JUN 1997	DATE: 24 JUN 1997	C-100773	E	1 OF 1

 AMP HOLLAND B.V. 's-Hertogenbosch, The Netherlands.	
NAME Z-PACK 2mm HM SPACER, TYPE C	
A3	