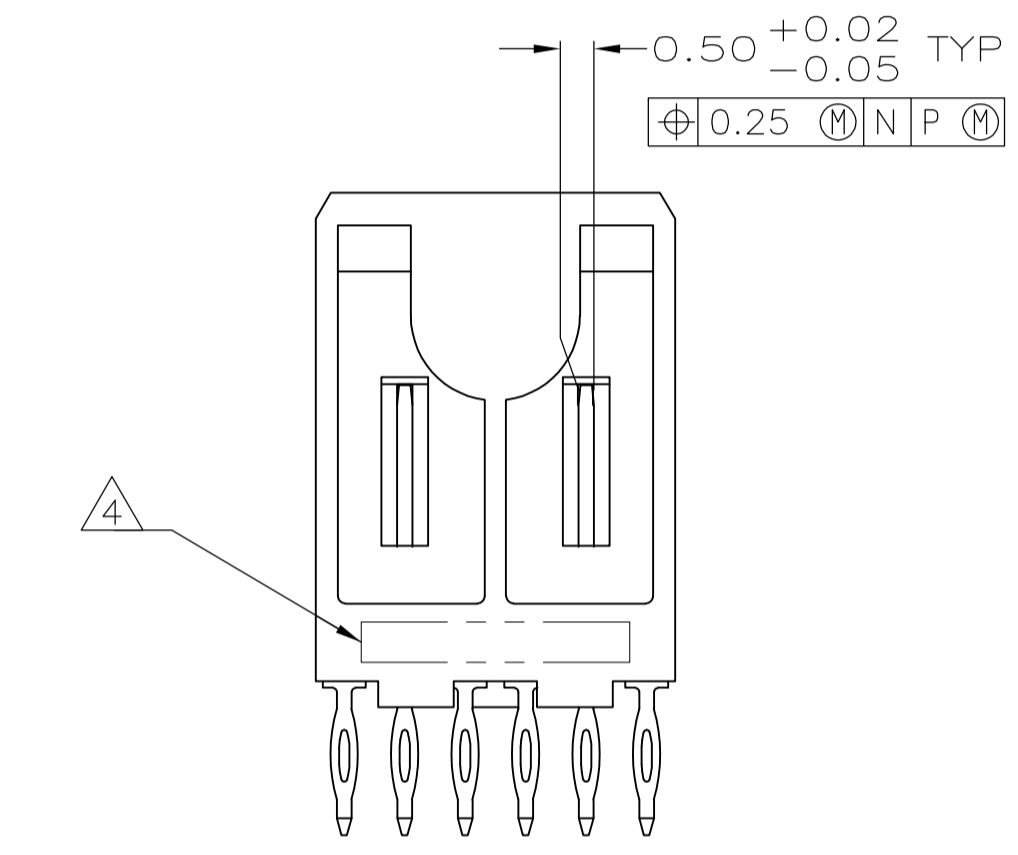
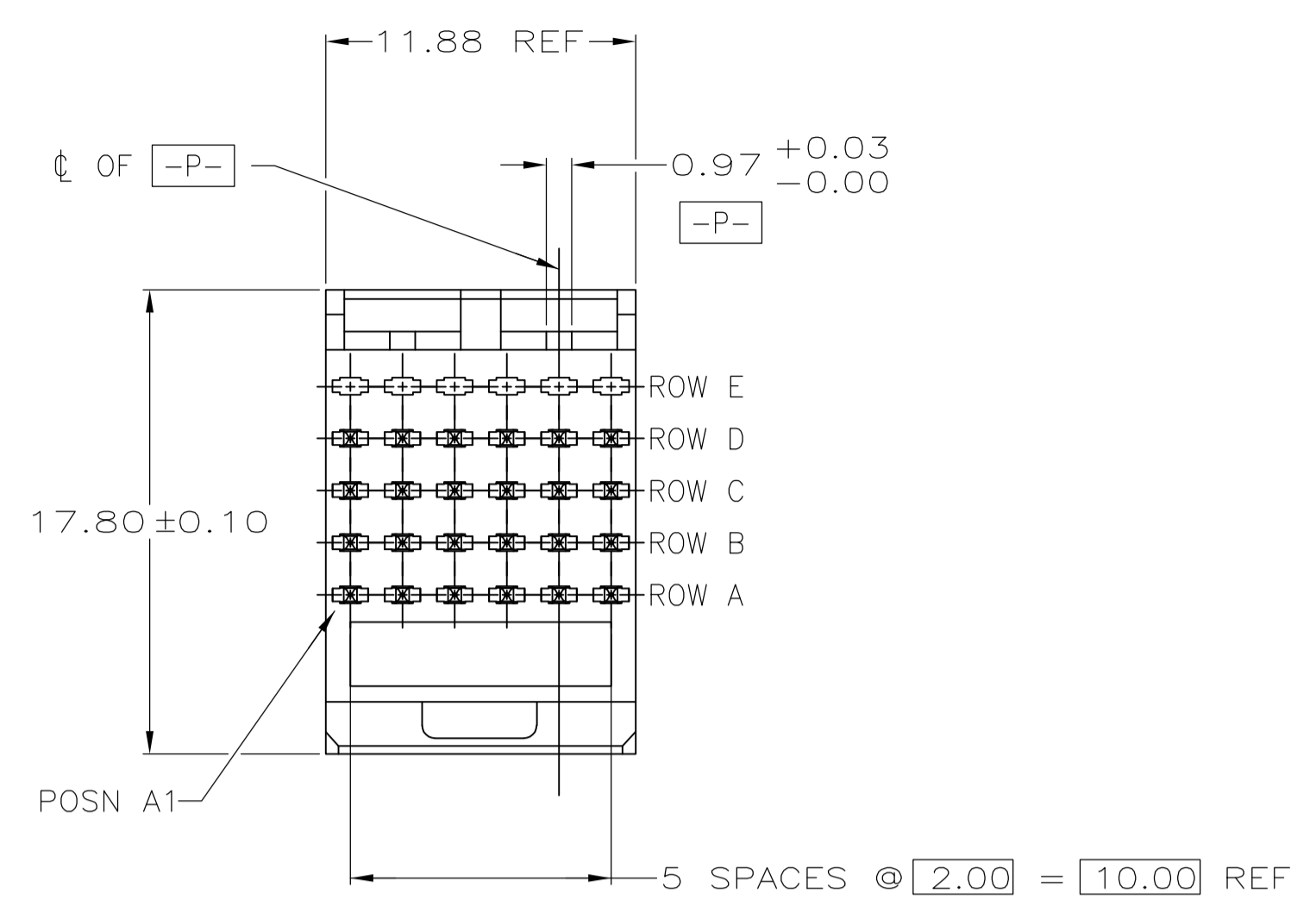
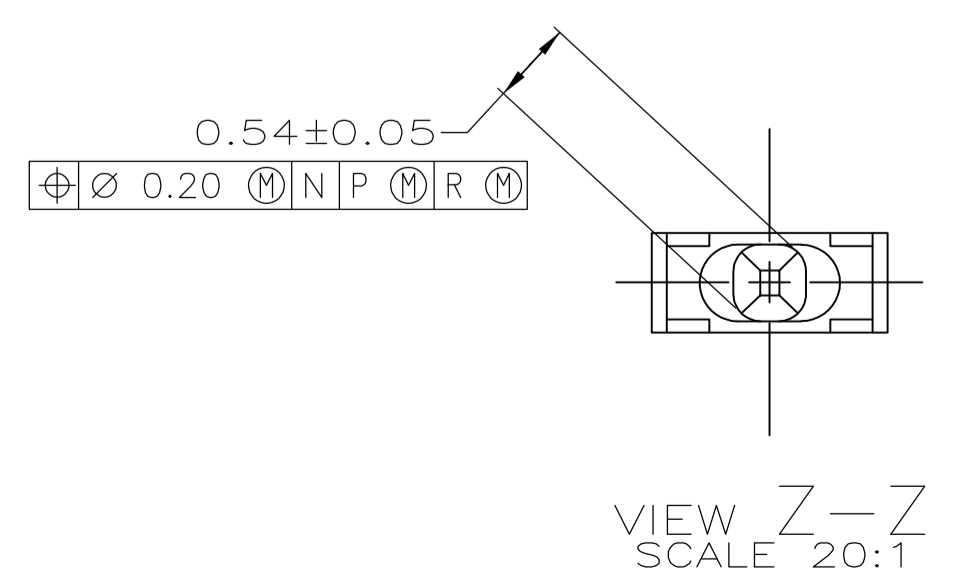
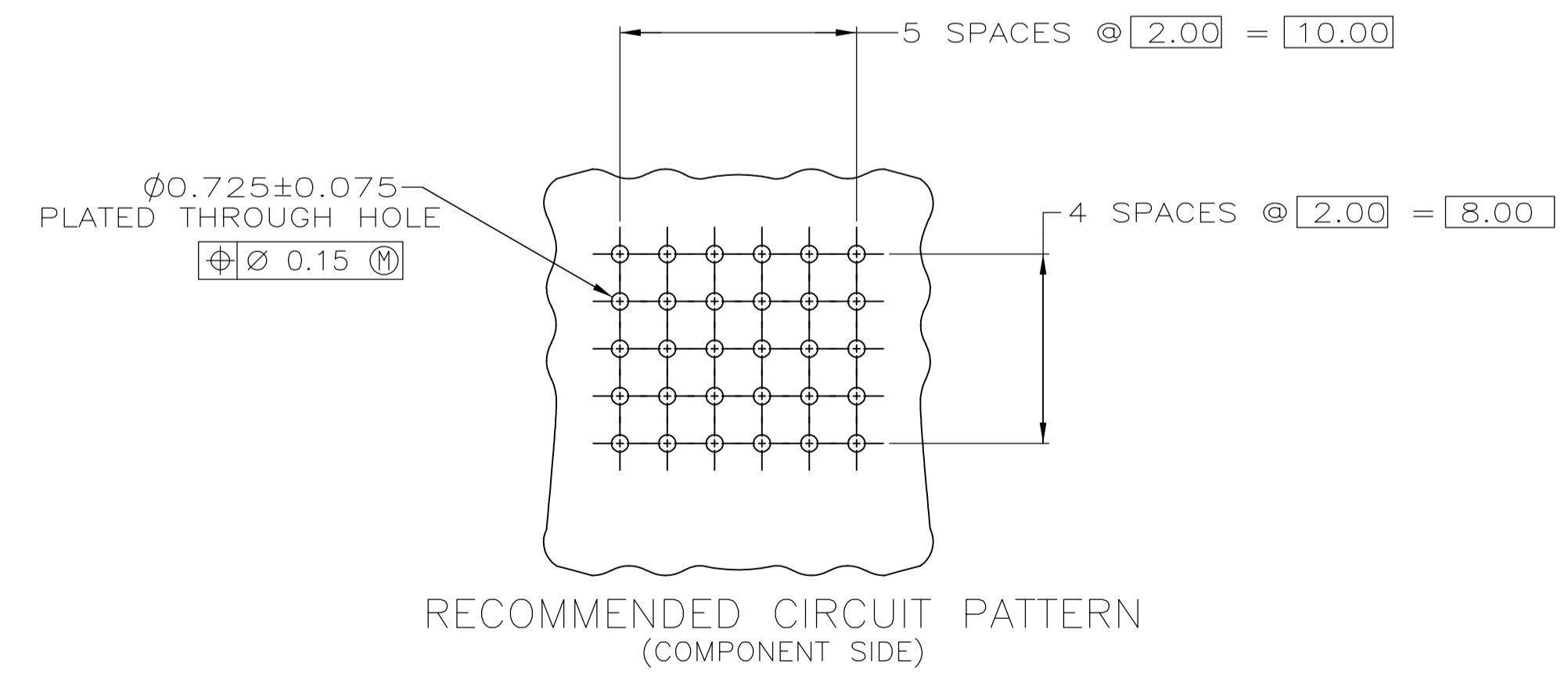
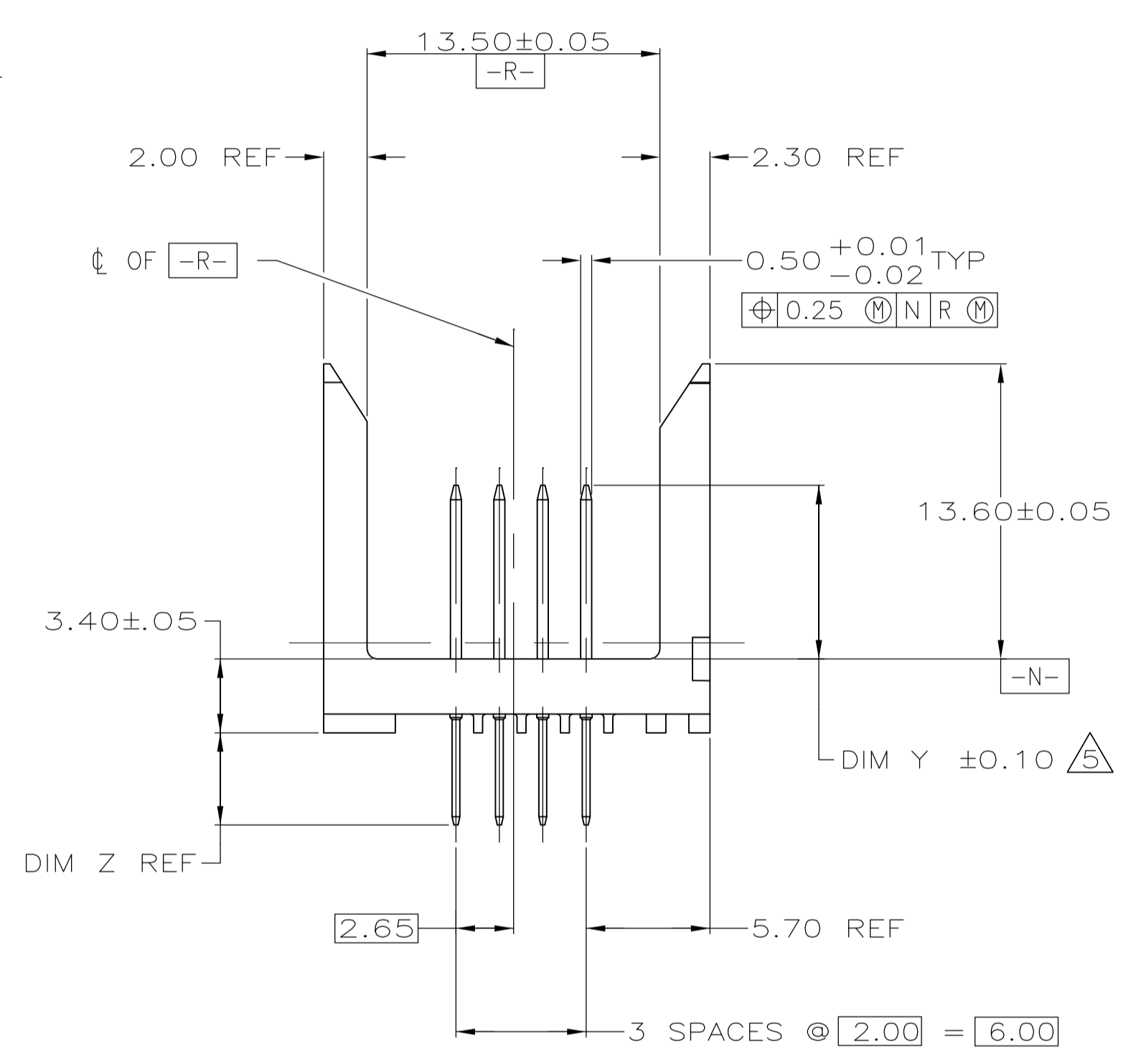


REVISONS		DATE	DMN	APVO
B4	REVISED PER ECR-08-032448	19DEC2008	S.W	S.Y
B5	REVISED PER ECO-09-024606	30OCT09	KK	AEG
C	ECR-12-008098	08MAY12	WC	AC



5223080-1 AS SHOWN



- 1 HOUSING MATERIAL: LIQUID CRYSTAL POLYMER.  
COLOR: NATURAL.
- 2 CONTACT MATERIAL: PHOSPHOR BRONZE.
- 3 CONTACT FINISH:  
UNDERPLATE (ENTIRE CONTACT):  
0.00127 MIN NICKEL PER SAE-AMS-QQ-N-290  
ON MATING SURFACES:  
CONFORMS TO ALL TESTING SPECIFIED FOR TELCORDIA  
UNCONTROLLED ENVIRONMENT.  
ON LEADS:  
0.0006 MIN MATTE TIN PER ASTM B 545 OVER UNDERPLATE.  
LUBRICATION (MIN MATING SURFACES):  
SURFACE CONDITIONER AFTER PLATING.
- 4 PART MARKING, LOCATED APPROXIMATELY AS SHOWN.
- 5 DIMENSION APPLIES WHEN SEATED ON PRINTED CIRCUIT BOARD.
- 6 SEE RESTRICTED CUSTOMER DRAWING 2-5223080-0
- 7 SEE RESTRICTED CUSTOMER DRAWING 2-5223080-1
- 8 OBSOLETE PARTS: OBSOLETE CIS STREAMLINING PER D.RENAUD/D.SINISI

FINISH	PART NUMBER
3	7-5223080-0
3	6-5223080-9
3	6-5223080-8
3	6-5223080-7
3	6-5223080-0
3	5-5223080-8
3	5-5223080-7
3	5-5223080-6
3	5-5223080-3
3	4-5223080-8
3	4-5223080-7
3	4-5223080-3
3	4-5223080-2
3	4-5223080-1
3	4-5223080-0
3	3-5223080-9
3	3-5223080-8
3	3-5223080-7
3	3-5223080-4
3	3-5223080-3
3	3-5223080-2
3	2-5223080-8
3	2-5223080-7
3	2-5223080-1
3	2-5223080-0
3	1-5223080-7
3	1-5223080-5
3	1-5223080-4
3	1-5223080-3
3	1-5223080-2
3	1-5223080-1
3	1-5223080-0
3	5223080-9
3	5223080-8
3	5223080-7
3	5223080-6
3	5223080-5
3	5223080-4
3	5223080-3
3	5223080-2
3	5223080-1

THIS DRAWING IS A CONTROLLED DOCUMENT.

DIMENSIONS: mm	TOLERANCES UNLESS OTHERWISE SPECIFIED:	0 PLC ± -	1 PLC ± -	2 PLC ± 0.13	3 PLC ± -	4 PLC ± -	ANGLES ± -
----------------	--	-----------	-----------	--------------	-----------	-----------	------------

MATERIAL: 1 2 3 FINISH: 3

THIS DRAWING IS A CONTROLLED DOCUMENT. BIN: B MCMMASTER 130EC04. CJK: R WERTZ 130EC04. NAME: R WERTZ 130EC04. Tyco Electronics Corporation, Shanghai, P.R.China, 200233.

PRODUCT SPEC: PIN ASSEMBLY, Z-PACK 2mm FB, SIGNAL, VERTICAL, 5 ROW, 30 POSITION, SEQUENCED, WITH PRESS FIT LEADS.

APPLICATION SPEC: SIZE: A1, CAGE CODE: 00779, DRAWING NO: 5223080, RESTRICTED TO: CUSTOMER DRAWING, SCALE: 4:1, SHEET: 1 OF 2, REV: C.

-	NO CONTACT	NO CONTACT
GG	5.00	13.60
DA	5.00	16.30
DB	7.25	16.30
WW	5.75	14.90
A	5.00	4.25
PP	8.25	17.00
S	7.25	17.00
M	6.50	17.00
MM	8.25	4.25
J	6.50	4.25
VV	8.00	14.90
Y	7.25	13.60
X	6.50	13.60
E	5.75	4.25
T	8.00	4.25
N	7.25	4.25
UU	5.75	13.60
SS	8.00	13.60
CONTACT LETTER	DIM Y	DIM Z

D	-	E	-	E	-	E	E
D	-	-	-	-	-	-	D
C	-	E	-	E	-	E	C
B	-	-	-	-	-	-	B
A	-	E	-	E	-	E	A
ROW	1	2	3	4	5	6	ROW

5223080-5 LOAD CHART OBSOLETE

E	SUPERSEDED BY						E
D	1-5223080-6						D
C							C
B							B
A							A
ROW	1	2	3	4	5	6	ROW

1-5223080-1 CONTACT LOAD CHART

E	E	-	E	-	E	E	E
D	-	E	-	E	E	E	D
C	E	-	E	-	E	E	C
B	-	E	-	E	E	E	B
A	E	-	E	-	E	E	A
ROW	1	2	3	4	5	6	ROW

1-5223080-7 CONTACT LOAD CHART

E	T	E	N	N	E	T	E
D	T	E	N	N	E	T	D
C	T	E	N	N	E	T	C
B	T	E	N	N	E	T	B
A	T	E	N	N	E	T	A
ROW	1	2	3	4	5	6	ROW

3-5223080-7 LOAD CHART OBSOLETE

E	J	J	J	J	E	J	E
D	J	J	J	J	J	J	D
C	J	J	J	J	J	J	C
B	J	J	J	J	J	J	B
A	J	J	J	J	J	J	A
ROW	1	2	3	4	5	6	ROW

4-5223080-7 CONTACT LOAD CHART

E	N	N	N	N	N	N	E
D	J	J	J	J	J	J	D
C	N	N	N	N	N	N	C
B	N	N	N	N	N	N	B
A	N	N	N	N	N	N	A
ROW	1	2	3	4	5	6	ROW

6-5223080-0 CONTACT LOAD CHART

E	X	X	V	X	V	X	E
D	X	X	V	V	X	Y	D
C	X	X	V	X	V	X	C
B	X	X	V	V	X	Y	B
A	X	X	V	X	V	V	A
ROW	1	2	3	4	5	6	ROW

5223080-6 CONTACT LOAD CHART

E	SUPERSEDED BY						E
D	1-5223080-7						D
C							C
B							B
A							A
ROW	1	2	3	4	5	6	ROW

1-5223080-2 CONTACT LOAD CHART

E	N	E	E	E	E	E	E
D	N	E	E	E	A	E	D
C	N	E	E	E	E	E	C
B	N	E	E	E	E	E	B
A	N	E	E	E	E	E	A
ROW	1	2	3	4	5	6	ROW

2-5223080-7 CONTACT LOAD CHART

E	E	E	E	E	E	T	E
D	E	E	E	E	E	T	D
C	E	E	E	E	E	T	C
B	E	E	E	E	E	T	B
A	E	E	E	E	E	T	A
ROW	1	2	3	4	5	6	ROW

3-5223080-8 LOAD CHART OBSOLETE

E	A	E	E	E	E	E	E
D	E	E	E	E	E	E	D
C	E	E	E	E	E	E	C
B	E	E	E	E	E	E	B
A	E	E	E	E	E	E	A
ROW	1	2	3	4	5	6	ROW

4-5223080-8 CONTACT LOAD CHART

E	GG	GG	GG	GG	GG	GG	E
D	GG	GG	GG	GG	GG	GG	D
C	GG	GG	GG	GG	GG	GG	C
B	GG	GG	GG	GG	GG	GG	B
A	GG	GG	GG	GG	GG	GG	A
ROW	1	2	3	4	5	6	ROW

6-5223080-7 CONTACT LOAD CHART

E	X	-	X	-	X	X	E
D	-	X	-	X	X	X	D
C	X	-	X	-	X	X	C
B	-	X	-	X	X	X	B
A	X	-	X	-	X	X	A
ROW	1	2	3	4	5	6	ROW

5223080-7 CONTACT LOAD CHART

E	J	A	A	A	A	A	E
D	J	A	A	A	A	A	D
C	J	A	A	A	A	A	C
B	J	A	A	A	A	A	B
A	J	A	A	A	A	A	A
ROW	1	2	3	4	5	6	ROW

1-5223080-3 LOAD CHART OBSOLETE

E	E	E	N	E	N	E	E
D	E	E	N	E	N	E	D
C	E	E	N	E	N	E	C
B	E	E	N	E	N	E	B
A	E	E	N	E	N	E	A
ROW	1	2	3	4	5	6	ROW

2-5223080-8 CONTACT LOAD CHART

E	SS	UU	Y	Y	UU	SS	E
D	SS	UU	Y	Y	UU	SS	D
C	SS	UU	Y	Y	UU	SS	C
B	SS	UU	Y	Y	UU	SS	B
A	SS	UU	Y	Y	UU	SS	A
ROW	1	2	3	4	5	6	ROW

4-5223080-0 LOAD CHART OBSOLETE

E	E	E	E	E	N	N	E
D	E	E	E	E	N	N	D
C	E	E	E	E	E	E	C
B	E	E	E	E	T	T	B
A	E	E	E	E	T	T	A
ROW	1	2	3	4	5	6	ROW

5-5223080-3 CONTACT LOAD CHART

E	E	E	J	E	E	E	E
D	E	E	J	E	E	E	D
C	E	E	E	E	E	E	C
B	E	E	J	E	E	E	B
A	E	E	J	E	E	E	A
ROW	1	2	3	4	5	6	ROW

6-5223080-8 CONTACT LOAD CHART

E	MM	MM	MM	MM	MM	MM	E
D	N	N	N	N	N	N	D
C	J	J	J	J	J	J	C
B	N	N	N	N	N	N	B
A	MM	MM	MM	MM	MM	MM	A
ROW	1	2	3	4	5	6	ROW

5223080-8 CONTACT LOAD CHART

E	A	A	A	A	A	A	E
D	A	A	A	A	A	A	D
C	E	A	A	A	A	A	C
B	A	A	A	A	A	A	B
A	A	A	A	A	A	A	A
ROW	1	2	3	4	5	6	ROW

1-5223080-4 CONTACT LOAD CHART

E	E	E	E	A	E	E	E
D	E	E	E	A	E	E	D
C	E	E	E	A	E	E	C
B	E	E	E	A	E	E	B
A	A	E	E	A	E	E	A
ROW	1	2	3	4	5	6	ROW

3-5223080-2 LOAD CHART OBSOLETE

E	E	E	E	E	E	E	E
D	E	E	E	E	E	E	D
C	E	E	E	E	E	N	C
B	E	E	E	E	E	E	B
A	E	E	E	E	E	E	A
ROW	1	2	3	4	5	6	ROW

4-5223080-1 CONTACT LOAD CHART

E	SUPERCEDED BY						E
D	5-1705988-6						D
C							C
B							B
A							A
ROW	1	2	3	4	5	6	ROW

5-5223080-6 CONTACT LOAD CHART

E	E	E	E	E	E	E	E
D	E	E	E	E	E	E	D
C	T	E	E	E	E	E	C
B	E	E	E	E	E	E	B
A	E	E	E	E	E	E	A
ROW	1	2	3	4	5	6	ROW

6-5223080-9 CONTACT LOAD CHART

E	PP	PP	PP	PP	PP	PP	E
D	S	S	S	S	S	S	D
C	M	M	M	M	M	M	C
B	S	S	S	S	S	S	B
A	PP	PP	PP	PP	PP	PP	A
ROW	1	2	3	4	5	6	ROW

5223080-9 CONTACT LOAD CHART

E	E	E	E	E	E	E	E
D	N	N	N	N	N	N	D
C	N	N	N	N	N	N	C
B	J	J	J	J	J	J	B
A	N	N	N	N	N	N	A
ROW	1	2	3	4	5	6	ROW

1-5223080-5 CONTACT LOAD CHART

E	E	E	E	E	A	A	E
D	E	E	E	E	A	A	D
C	A	E	E	E	A	A	C
B	E	E	E	E	A	A	B
A	A	E	A	E	A	A	A
ROW	1	2	3	4	5	6	ROW

3-5223080-3 LOAD CHART OBSOLETE

E	E	E	E	E	E	N	E
D	E	E	E	E	E	N	D
C	E	E	E	E	E	N	C
B	E	E	E	E	E	N	B
A	E	E	E	E	E	N	A
ROW	1	2	3	4	5	6	ROW

4-5223080-2 CONTACT LOAD CHART

E	SUPERCEDED BY						E
D	5-1705988-7						D
C							C
B							B
A							A
ROW	1	2	3	4	5	6	ROW

5-5223080-7 CONTACT LOAD CHART

E	SS	SS	SS	SS	SS	SS	E
D	SS	SS	SS	SS	SS	SS	D
C	UU	UU	UU	UU	UU	UU	C
B	SS	SS	SS	SS	SS	SS	B
A	SS	SS	SS	SS	SS	SS	A
ROW	1	2	3	4	5	6	ROW

7-5223080-0 LOAD CHART OBSOLETE

E	N	N	N	N	N	N	E
D	MM	N	N	N	N	N	D
C	MM	N	N	N	N	N	C
B	N	N	N	N	N	N	B
A	MM	MM	MM	MM	MM	MM	A
ROW	1	2	3	4	5	6	ROW

1-5223080-0 CONTACT LOAD CHART

E	E	E	N	E	N	E	E
D	E	E	N	E	N	E	D
C	E	E	N	E	N	E	C
B	E	E	N	E	N	E	B
A	E	E	N	E	N	E	A
ROW	1	2	3	4	5	6	ROW

1-5223080-6 CONTACT LOAD CHART

E	E	A	E	E	A	A	E
D	E	E	E	E	A	A	D
C	E	E	A	A	A	A	C
B	E	E	E	E	A	A	B
A	E	E	A	A	A	A	A
ROW	1	2	3	4	5	6	ROW

3-5223080-4 LOAD CHART OBSOLETE

E	E	A	E	E	A	A	E
D	A	A	E	E	E	E	D
C	E	E	E	E	E	E	C
B	E	E	E	E	E	E	B
A	E	E	E	E	E	E	A
ROW	1	2	3	4	5	6	ROW

4-5223080-3 CONTACT LOAD CHART

E	SUPERCEDED BY						E
D	5-1705988-8						D
C							C
B							B
A							A
ROW	1	2	3	4	5	6	ROW

# Mouser Electronics

Authorized Distributor

Click to View Pricing, Inventory, Delivery & Lifecycle Information:

[TE Connectivity:](#)

[1-5223080-6](#)