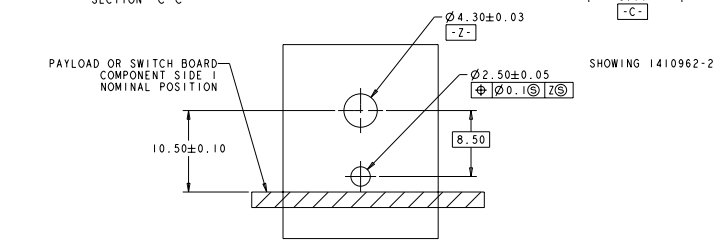
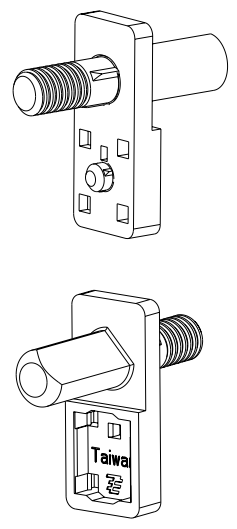
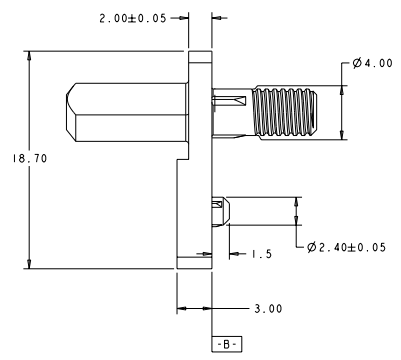
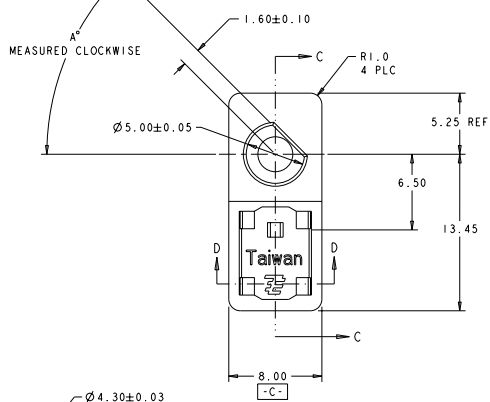
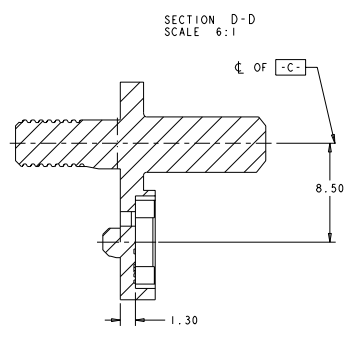
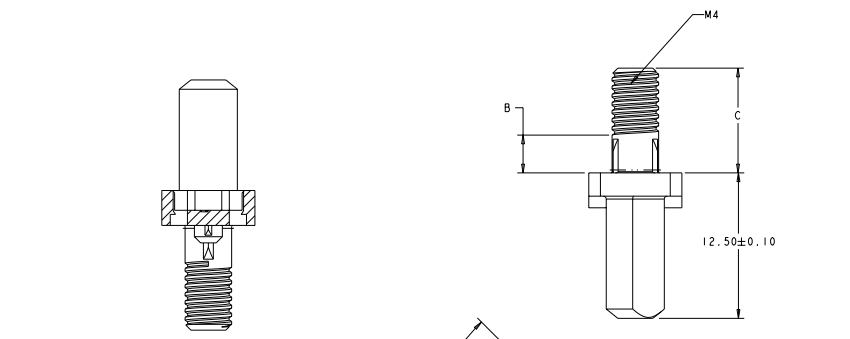


REV	DATE	DESCRIPTION	BY	CHK	APP
1		PROPOSED	SHANGHAI	RT	GG
2		REVISED	SHANGHAI	DH	DF
A		REV PER ECO-10-000114	SHANGHAI	BC	DF

△ ZINC ALLOY  
 △ FINISH: CLEAR CHROMATE



PCB LAYOUT  
 CONNECTOR SIDE  
 ALL HOLES AND FEATURES  
 (ARE NON PLATED THROUGH HOLES)

DIM "C"	DIM "B"	DIM "A"	PART NUMBER
9.0	3.13	NO FLAT	1410962-9
9.0	3.13	315°	1410962-8
9.0	3.13	270°	1410962-7
9.0	3.13	225°	1410962-6
9.0	3.13	180°	1410962-5
9.0	3.13	135°	1410962-4
9.0	3.13	90°	1410962-3
9.0	3.13	45°	1410962-2
9.0	3.13	0°	1410962-1

DATE: 19 JUN 2004	DESIGNER: G. G. G. G.	DATE: 19 JUN 2004	DESIGNER: G. G. G. G.
PROJECT: HOUSING, KEY ALIGNMENT PIN, VITA 41	PROJECT: HOUSING, KEY ALIGNMENT PIN, VITA 41	PROJECT: HOUSING, KEY ALIGNMENT PIN, VITA 41	PROJECT: HOUSING, KEY ALIGNMENT PIN, VITA 41
STATE: CA	CAGE CODE: 1410962	REVISION: A	REVISION: A
CUSTOMER DRAWING		CUSTOMER DRAWING	