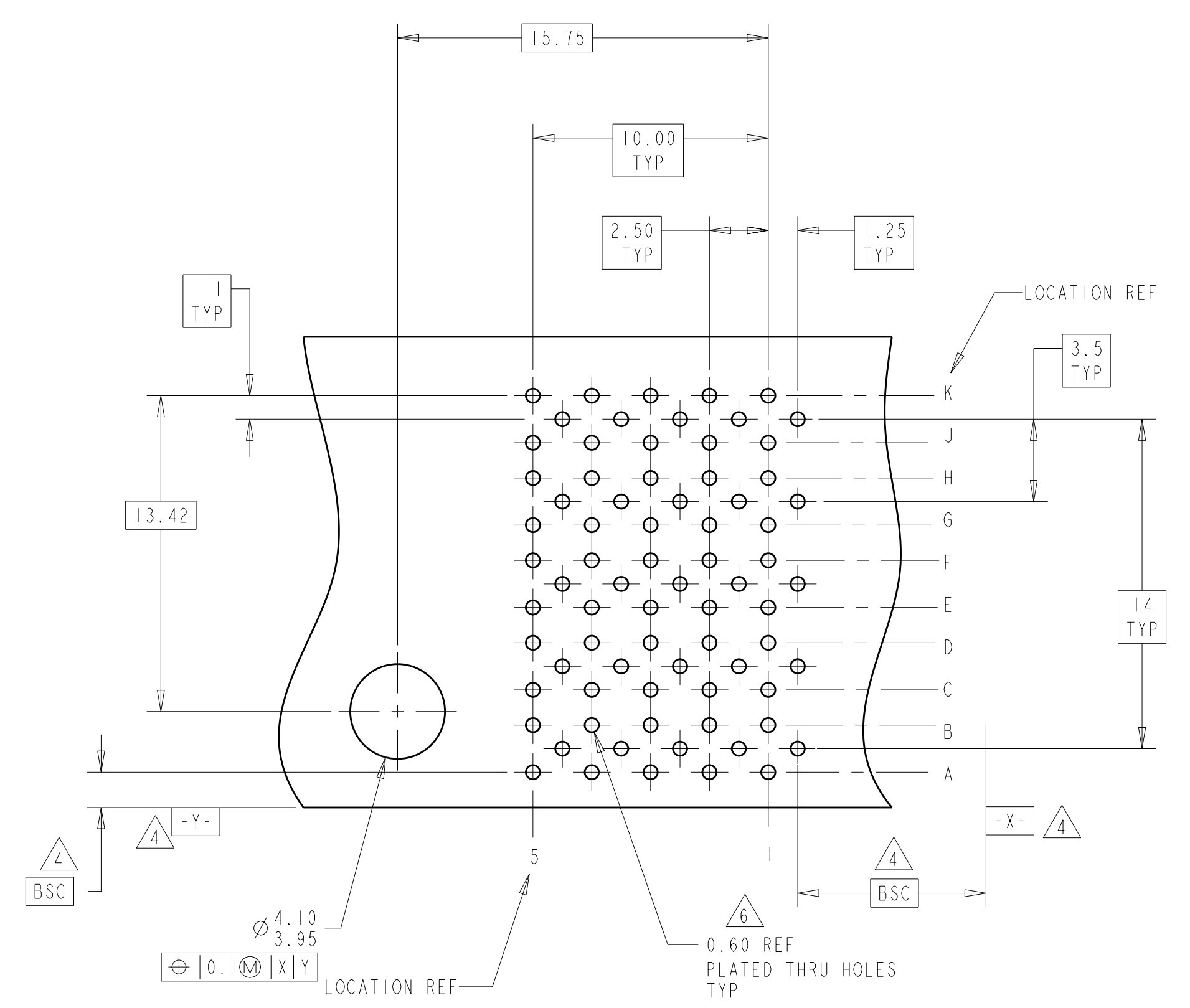
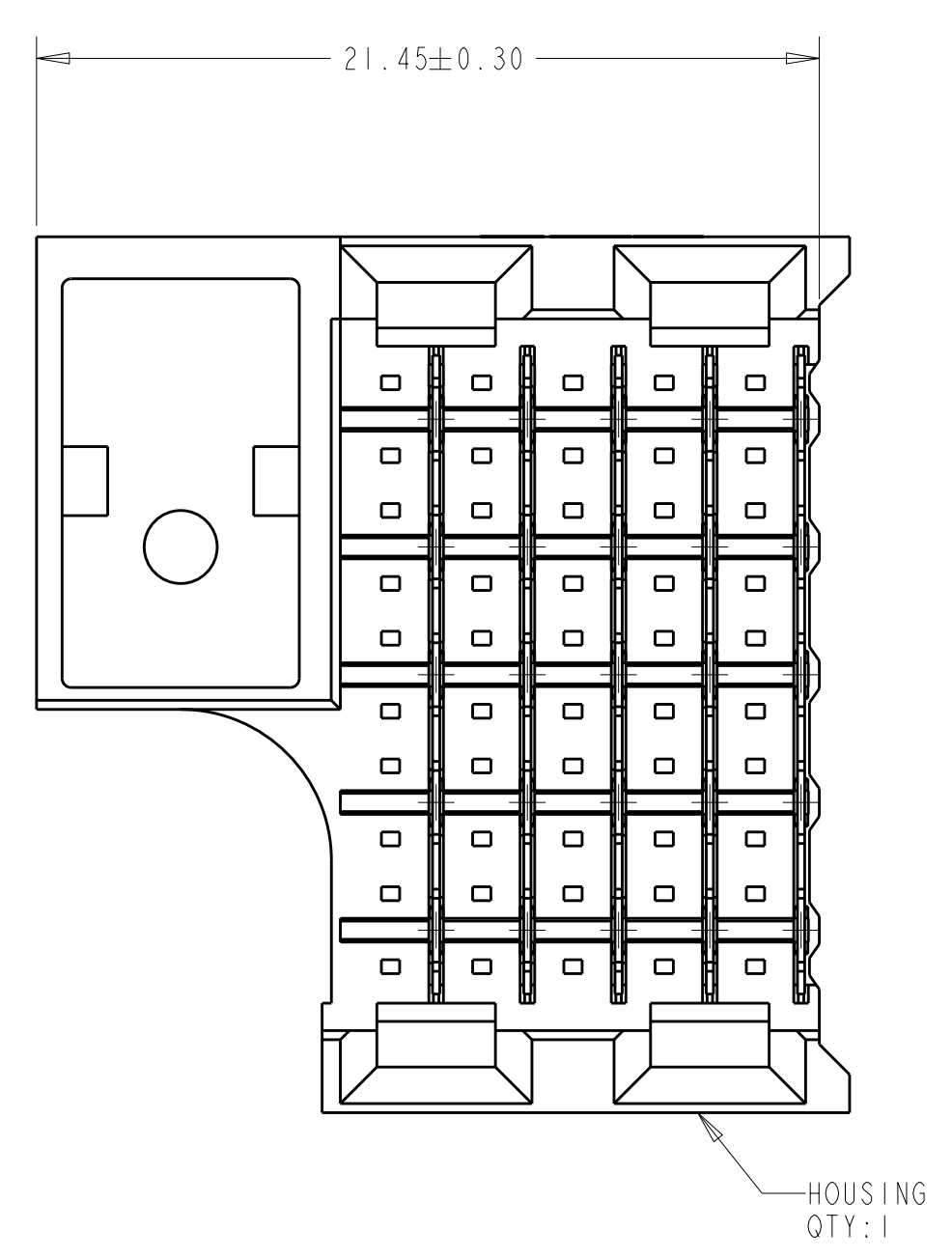
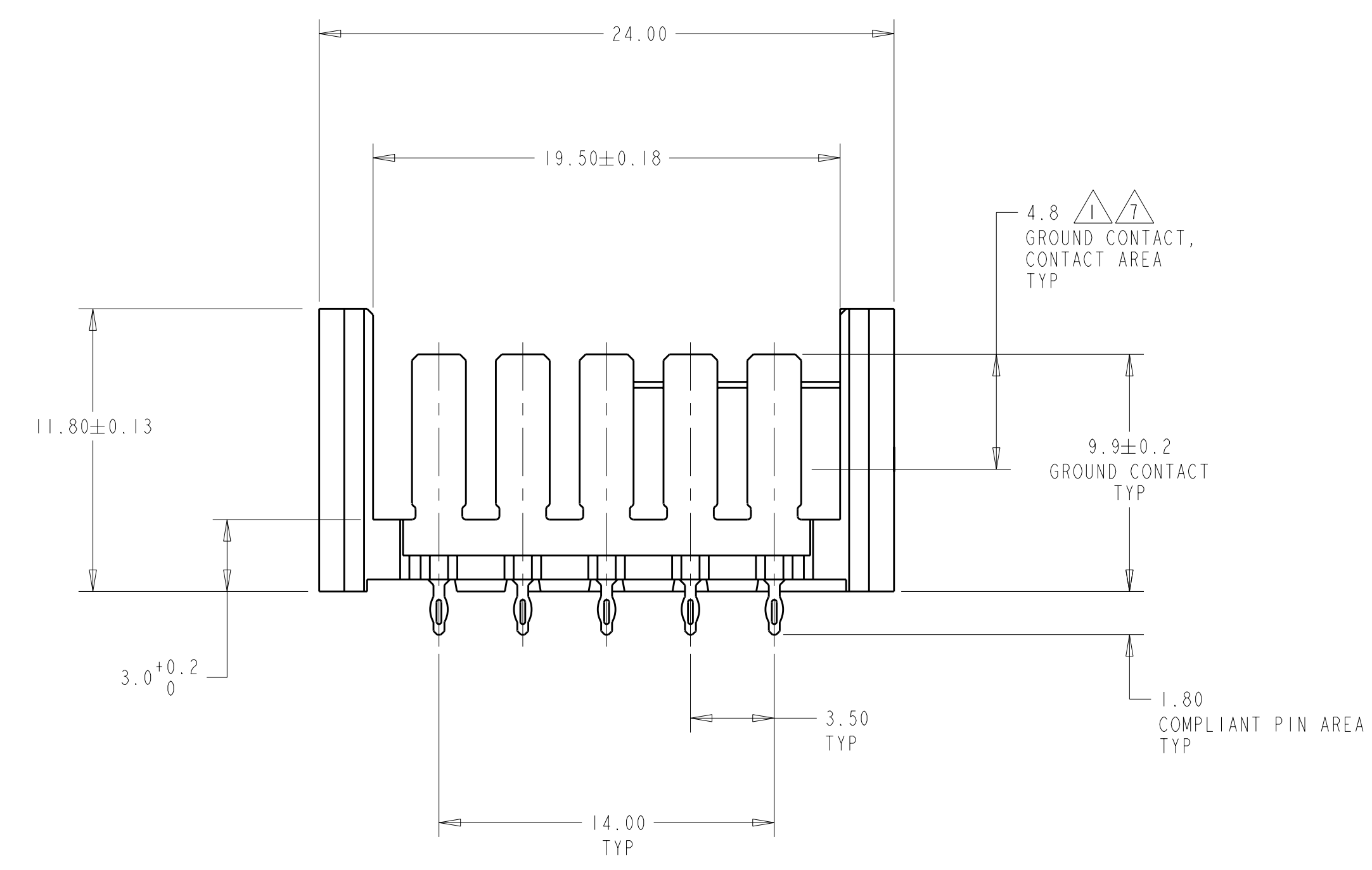
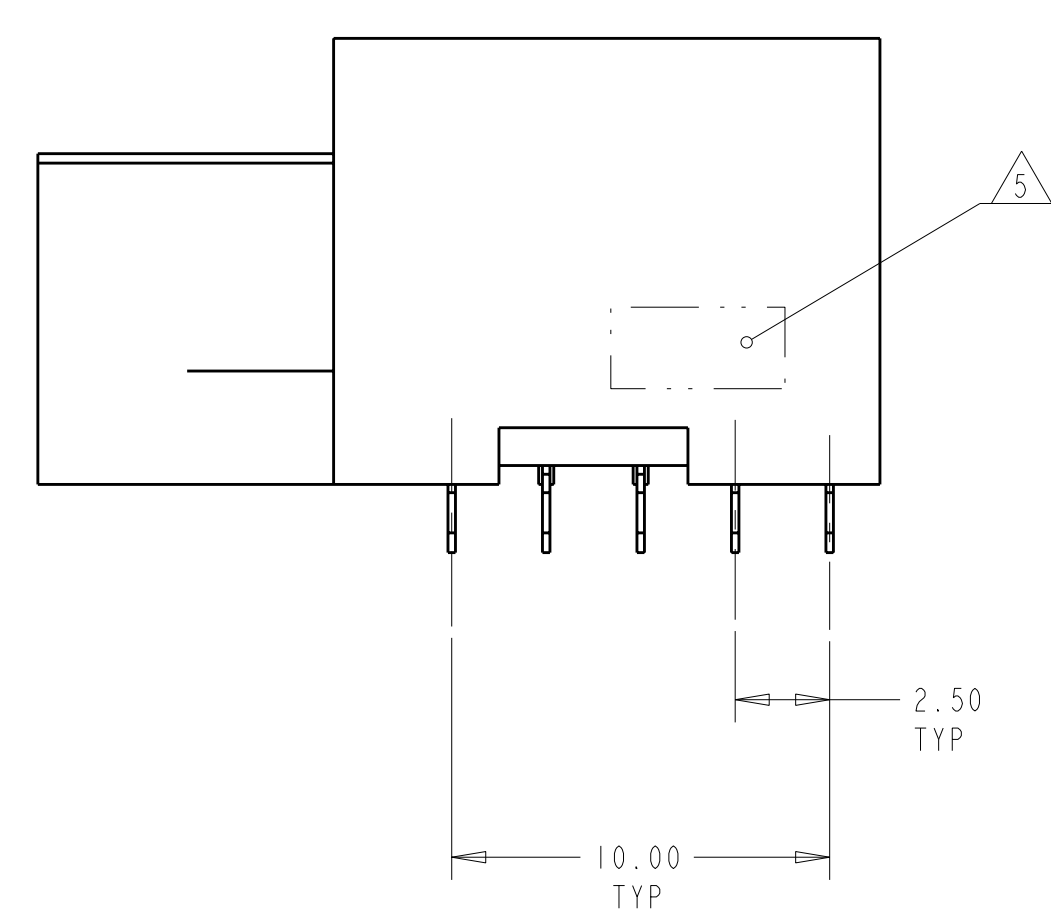


LOC	DIST	REV	DESCRIPTION	DATE	DWN	APVD
AD	47	C	REVISED PER ECO-11-013132	13JUL2011	HMR	MH

- 1 CONTACT MATING AREA MEETS THE PERFORMANCE REQUIREMENTS OF TE CONNECTIVITY PRODUCT SPECIFICATION 108-1957; BASED ON TELCORDIA GR-1217-CORE, APPLICATIONS IN UNCONTROLLED ENVIRONMENTS.
- 2 PHOSPHOR BRONZE
- 3 GLASS FILLED POLYESTER
- 4 DATUMS AND BASIC DIMENSIONS ESTABLISHED BY CUSTOMER
- 5 CONNECTOR MARKED WITH PART NUMBER AND DATE CODE
- 6 DRILLED HOLE DIAMETER 0.7 ± 0.025
 FINISHED HOLE DIA 0.60 ± 0.05 REF
 COPPER THICKNESS 0.025-0.050
 TIN LEAD THICKNESS 0.004-0.010
- 7 CONTACT AREA LUBRICATED WITH BELLCORE APPROVED LUBRICANT
 TECHNICAL REFERENCE: GR-1217-CORE, ISSUE 1, NOVEMBER 1995



RECOMMENDED
 PRINTED CIRCUIT BOARD
 LAYOUT
 COMPONENT SIDE OF PRINTED CIRCUIT BOARD



120667-1
 PART NUMBER

THIS DRAWING IS A CONTROLLED DOCUMENT.		DWN H. MOLL 11JAN99	TE Connectivity
DIMENSIONS: mm		CHK S. MICKIEVCZ 30JUN99	
TOLERANCES UNLESS OTHERWISE SPECIFIED:		APVD H. ANDREWS 30JUN99	NAME SHROUD ASSEMBLY, 50 POSITION, RIGHT HAND, 10 ROW, Z-PACK HS3
9 PLC ± 1 PLC ±0.13 5 PLC ±0.05 4 PLC ± ANGLES ±	FINISH GROUND CONTACT: 1	PRODUCT SPEC APPLICATION SPEC WEIGHT CUSTOMER DRAWING	SIZE CAGE CODE DRAWING NO. RESTRICTED TO A1 00779 C=120667 SCALE 5:1 SHEET 1 OF 1 REV C

Mouser Electronics

Authorized Distributor

Click to View Pricing, Inventory, Delivery & Lifecycle Information:

[TE Connectivity:](#)

[120667-1](#)