

10119130 - X0C - XXXLF

LEAD-FREE DESIGNATION ONLY WITH APPLICABLE PLATING CODES

LETTER	PLATING (SEE NOTE 6)	
	APPLICATION	TYPE (REFERENCE)
B	TELCORDIA CO	0.76µm GOLD or GXT
C	TELCORDIA UE	1.27µm GOLD
D	TELCORDIA CO	0.76µm GOLD or GXT, LEAD-FREE
E	TELCORDIA UE	1.27µm GOLD, LEAD-FREE

6-COLUMN DIFFERENTIAL SIGNAL

NUMBER	GUIDE PIN STYLE (SEE NOTE 8)
0	STANDARD GUIDE PIN, MACHINED
1	STANDARD GUIDE PIN, ROLLED

MODULE DESCRIPTION	LETTER DESIGNATION REPRESENTED IN DASH NUMBER										BASE MODULE
LEFT POLARIZING GUIDANCE MODULE (SEE SHEET 6)	N	J	A	B	C	D	E	F	G	H	
	NO KEY NO GUIDE PIN										
RIGHT POLARIZING GUIDANCE MODULE (SEE SHEET 7)	Z	Y	P	Q	R	S	T	U	V	W	
	NO KEY NO GUIDE PIN										
OPEN MODULE (TWO WALL) (SEE SHEET 2)	0 (ZERO)										
LEFT WALL MODULE (SEE SHEET 3)	L										
RIGHT WALL MODULE (SEE SHEET 4)	M										
FOUR WALL MODULE (SEE SHEET 5)	I (ONE)										

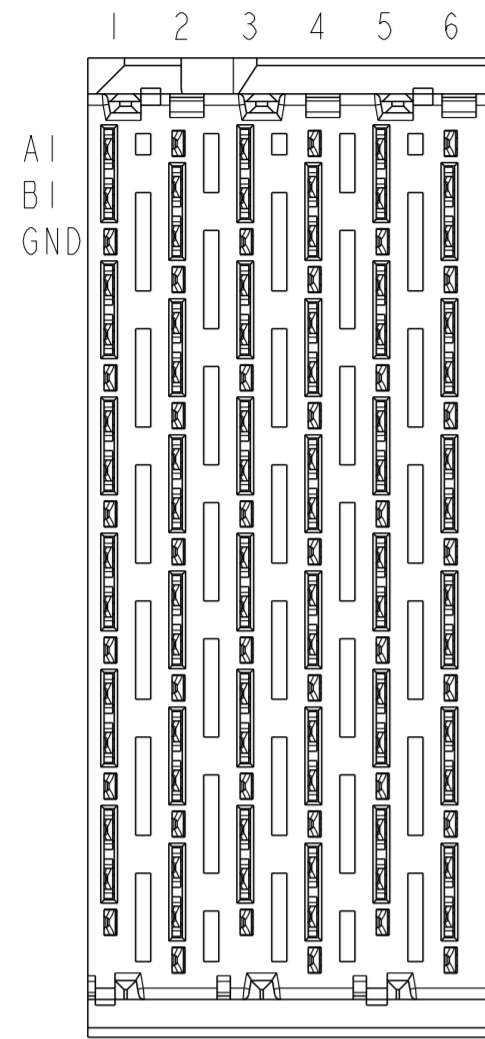
NUMBER	CONTACT MATING WIPE LENGTH		COMPLIANT TAIL TYPE (SEE NOTE 9)
	SIGNAL	GROUND	
1	2 MM	4 MM	0.55 (0.0217") DRILL
2	3 MM	4 MM	0.55 (0.0217") DRILL
3	2 MM	4 MM	0.45 MICRO (0.0177") DRILL
4	3 MM	4 MM	0.45 MICRO (0.0177") DRILL
5	2 MM	3 MM	0.55 (0.0217") DRILL
6	3 MM	3 MM	0.55 (0.0217") DRILL
7	2 MM	3 MM	0.45 MICRO (0.0177") DRILL
8	3 MM	3 MM	0.45 MICRO (0.0177") DRILL

FOR CUSTOM-LOADED MODULES, SEE INDIVIDUAL CUSTOM DRAWINGS WITH THE DRAWING-NUMBER FORMAT OF 10119130-XXXX, WHERE: "X" DENOTES MODULE TYPE PER CHART ON THIS SHEET "YYYY" IS A SEQUENTIAL NUMBER BEGINNING WITH "0001".

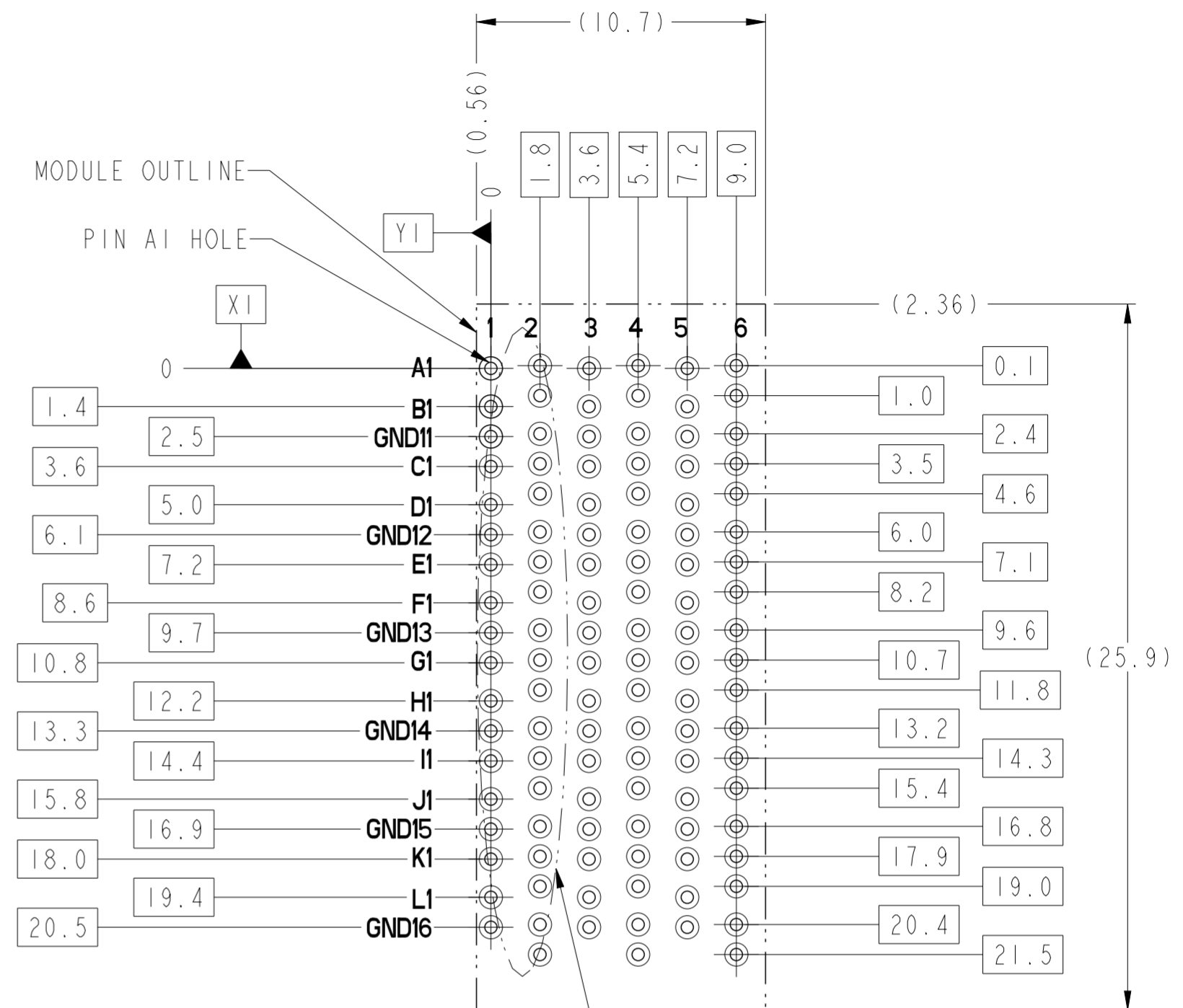
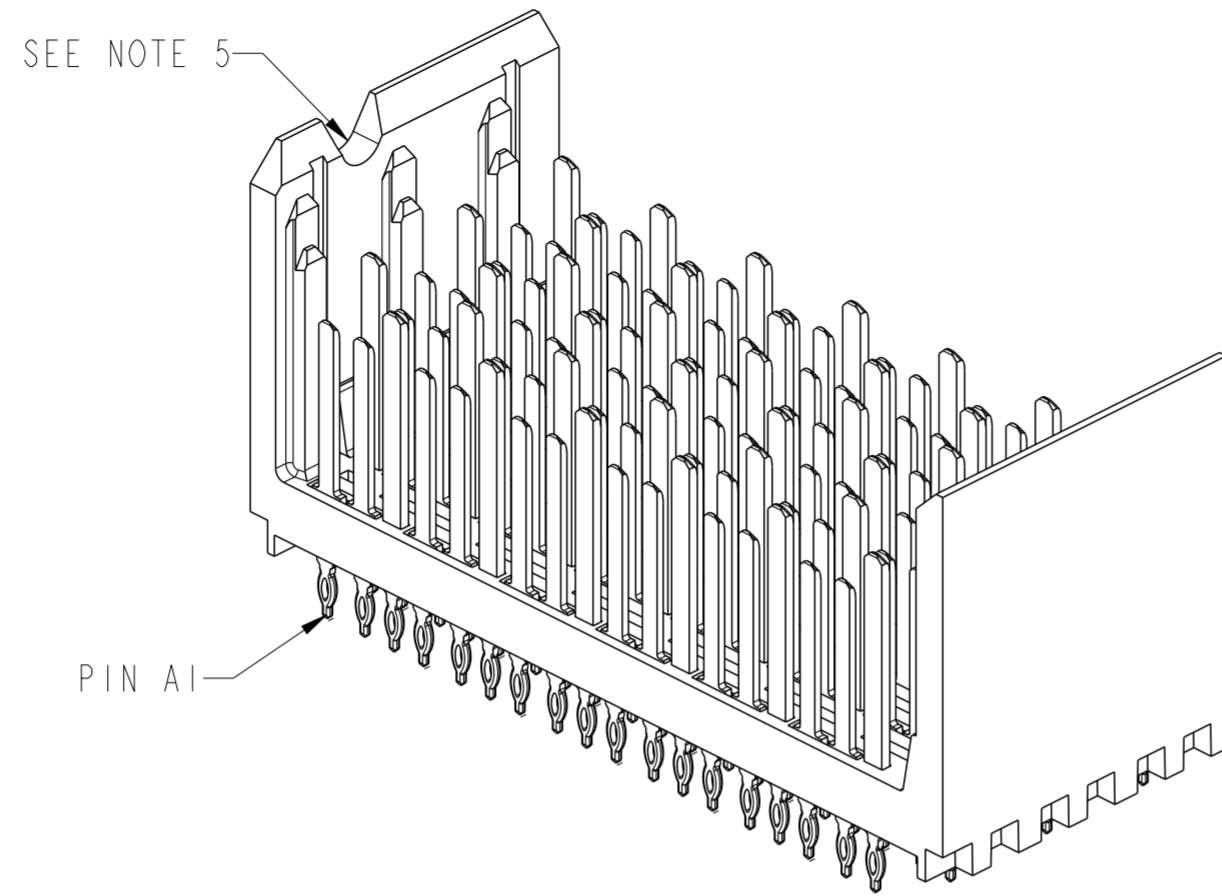
	UNGROUND	GROUND
FHS	∅2.35-∅2.55	∅2.35-∅2.55
PAD	N/A	∅5.50
PLATED	NO	YES
DRILL(mm)	2.44mm	2.58mm
DRILL(in)	0.096"	0.1015"

SCREW P/N	DESCRIPTION	BOARD THICKNESS
10091790-002LF	#2-56 X 0.375" LG. PHILIPS PANHEAD W/SQ CONICAL WASHER	1.60-5.00mm
10091790-003LF	#2-56 X 0.375" LG. PHILIPS PANHEAD W/SQ CONICAL WASHER	5.00-10.00mm

spec ref	-	dr	Mary Glass	2012/02/09	projection	MM	size	A2	scale	2:1
tolerance std	ASME Y14.5	eng	Sandar Soe	2016/03/08	chr	-	ecn no	ELX-S-17624-1	rel level	Released
surface	ASME Y14.5	appr	Chen-Hong Tan	2016/03/17	product family	XCEDE HD	rel level	Released	cat. no.	-
linear	0.X ±0.3 0.XX ±0.10 0.XXX ±0.05	Amphenol FCI	VERTICAL HEADER ASSEMBLY		cat. no.	-	Product - Customer Drw	sheet 1 of 8	rev	C
angular	0° ±2°	www.fci.com	XCEDE HD 6 PAIR, 6 COLUMN		cat. no.	-	Product - Customer Drw	sheet 1 of 8	rev	C

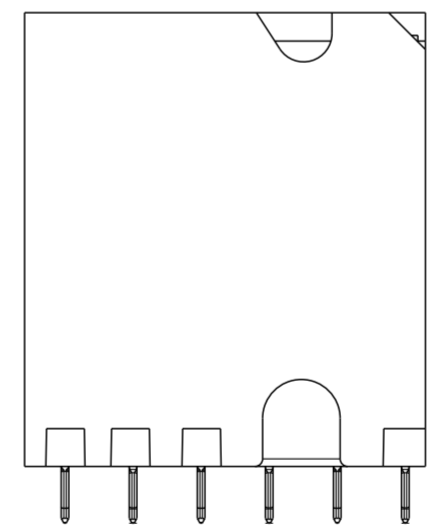
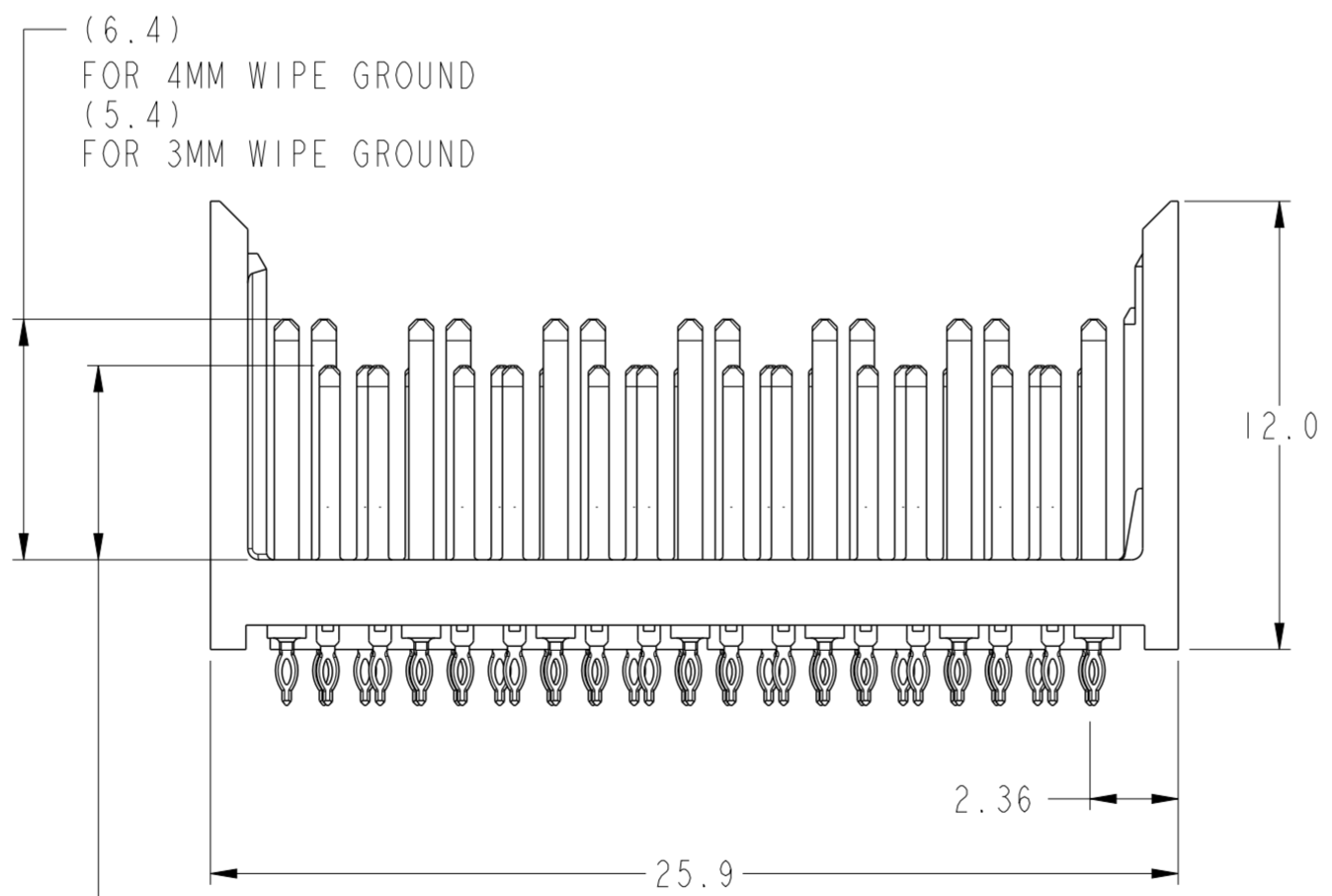
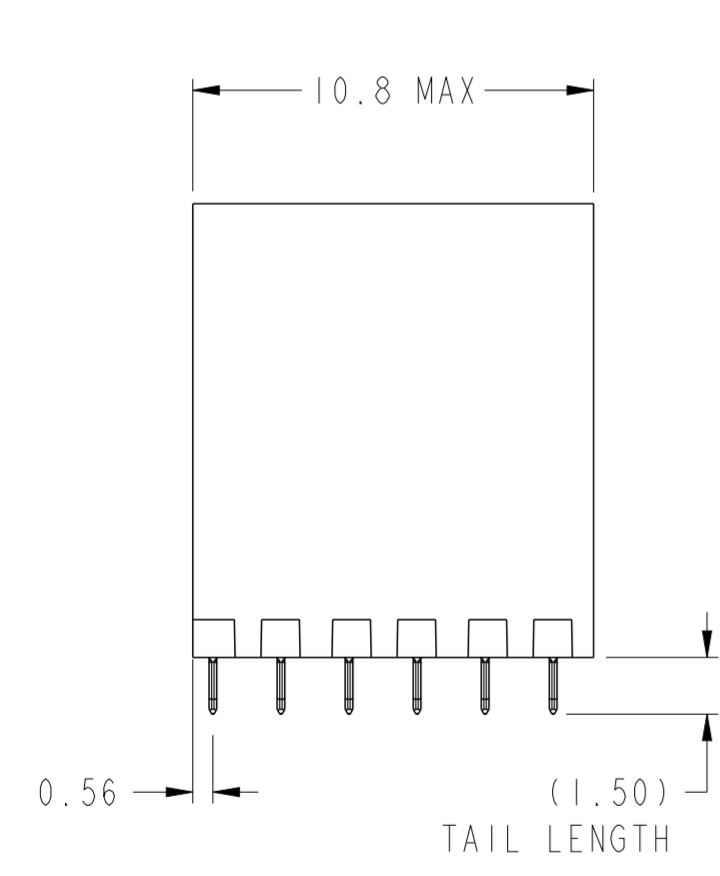


OPEN WALL MODULE

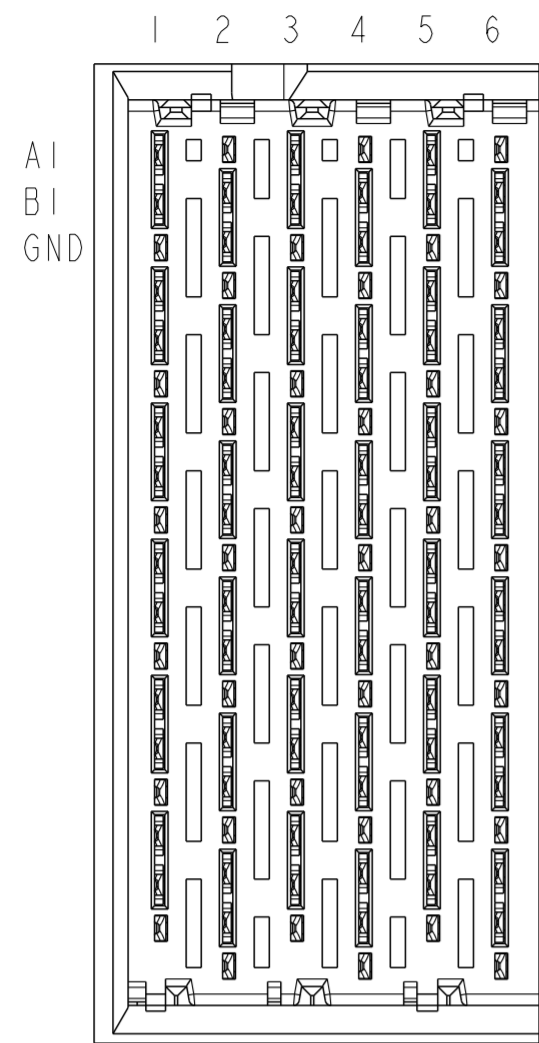


SEE DETAIL A ON SHEET 8 FOR PINOUT DETAILS

BP HOLE PATTERN COMPONENT SIDE  
OPEN WALL MODULE BACKPLANE FOOTPRINT

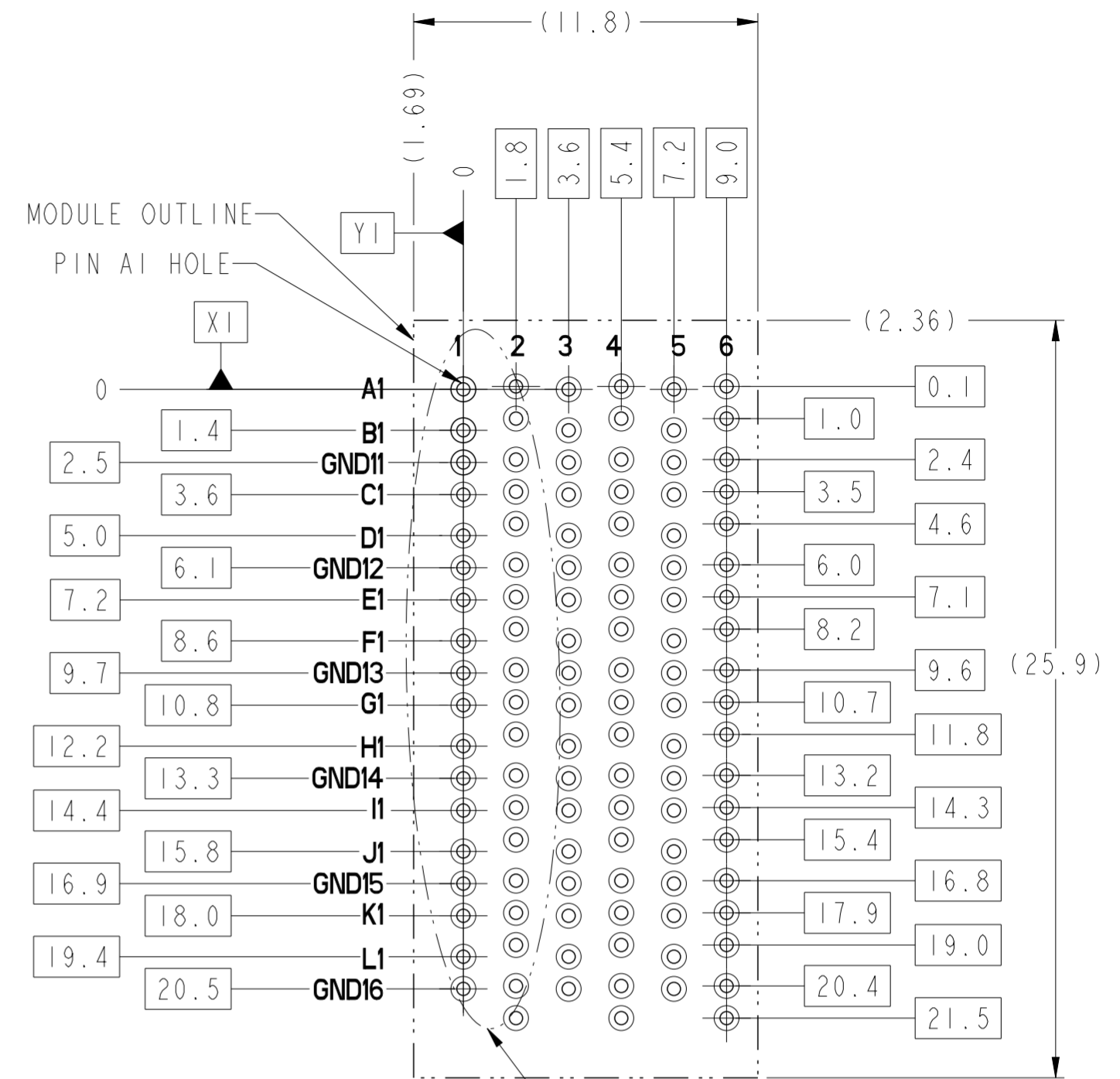
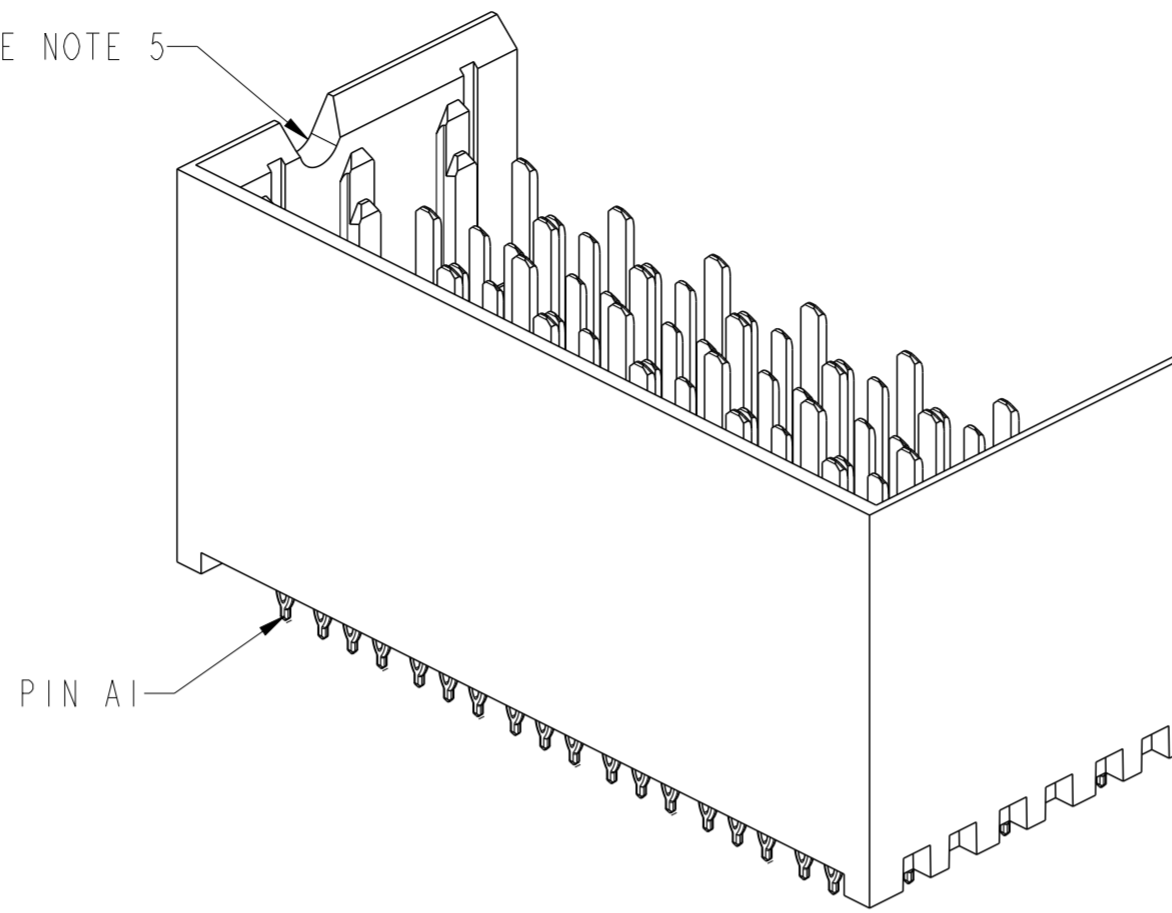


spec ref	-	dr	Mary Glass	2012/02/09	projection	MM	size	A2	scale	5:1
tolerance std	ASME Y14.5	eng	Sandar Soe	2016/03/08			ecn no	ELX-S-17624-1	rel level	Released
TOLERANCES UNLESS OTHERWISE SPECIFIED		chr	-	product family			XCEDE HD	rel level		Released
surface	ASME Y14.5	linear	0.X	±0.3			cat. no.	10119130	rev	C
		angular	0°	±2°	www.fci.com		Product - Customer Drw	sheet 2 of 8	PDS: Rev :C	



LEFT WALL MODULE

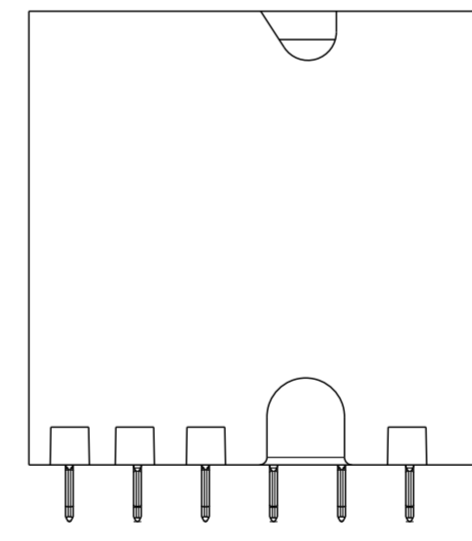
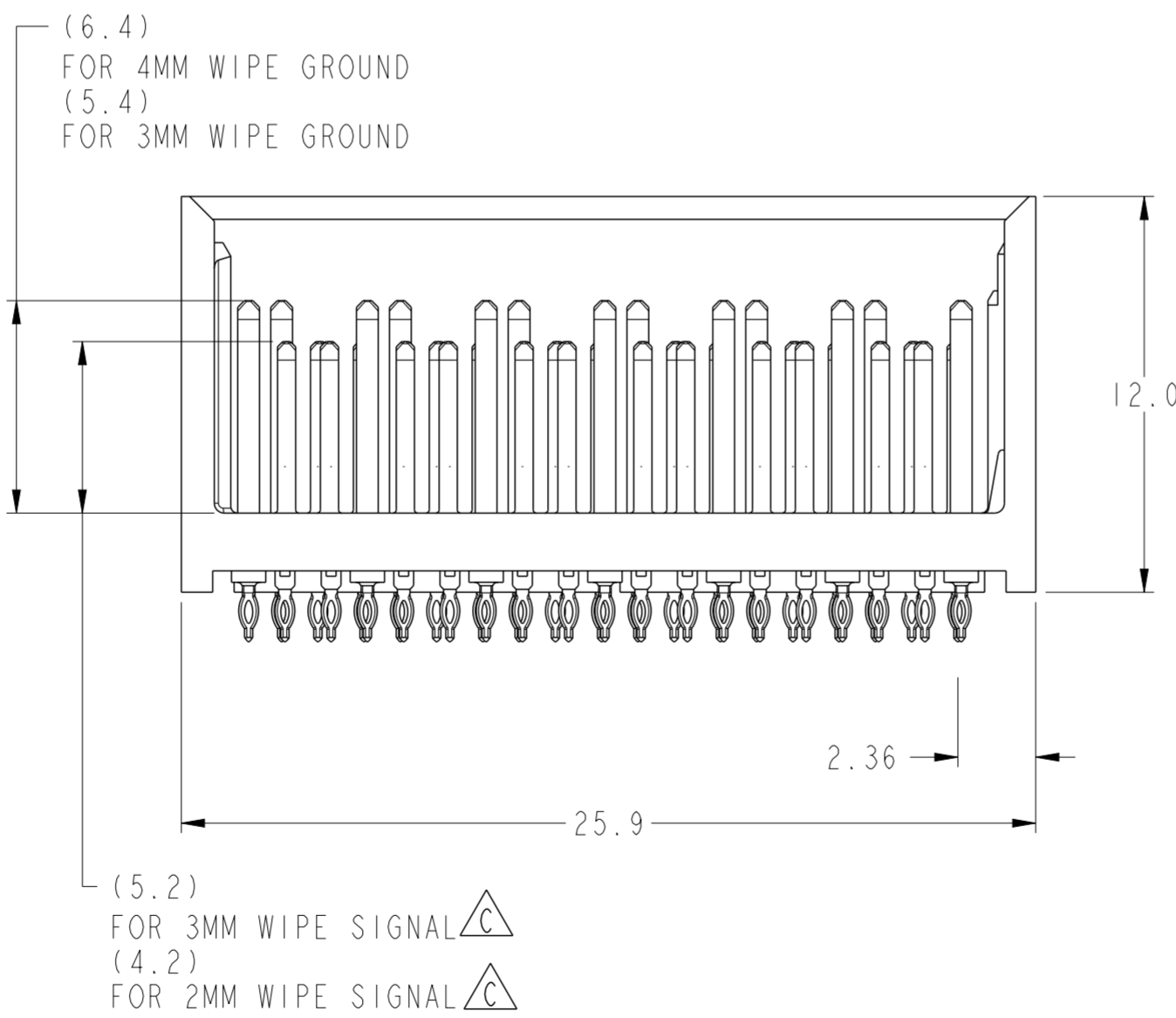
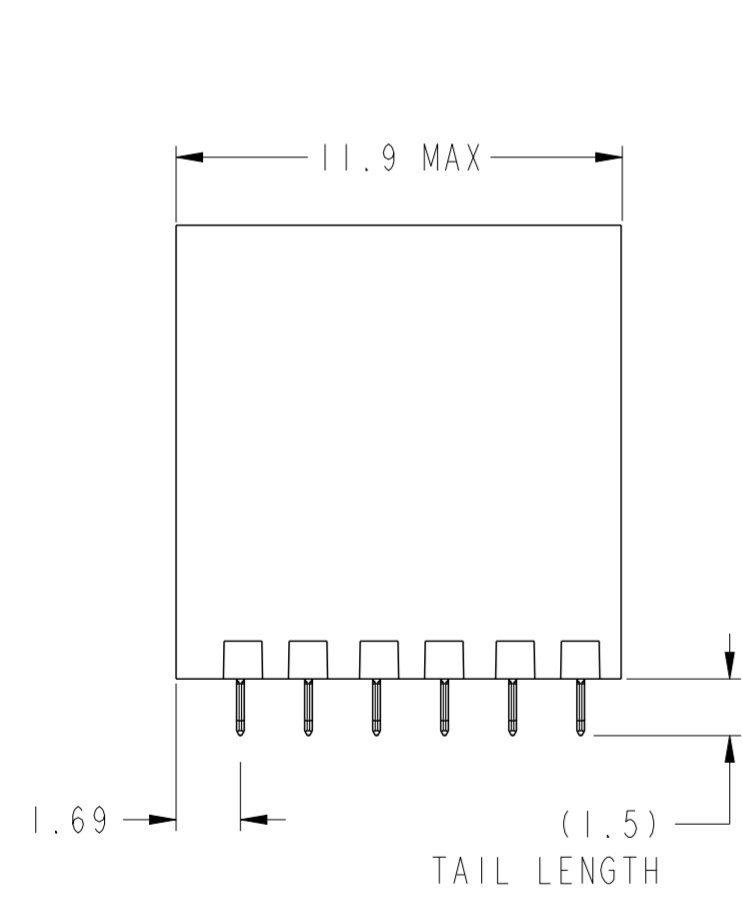
SEE NOTE 5



SEE DETAIL A ON SHEET 8 FOR PINOUT DETAILS

BP HOLE PATTERN COMPONENT SIDE

LEFT WALL MODULE BACKPLANE FOOTPRINT



Amphenol FCI

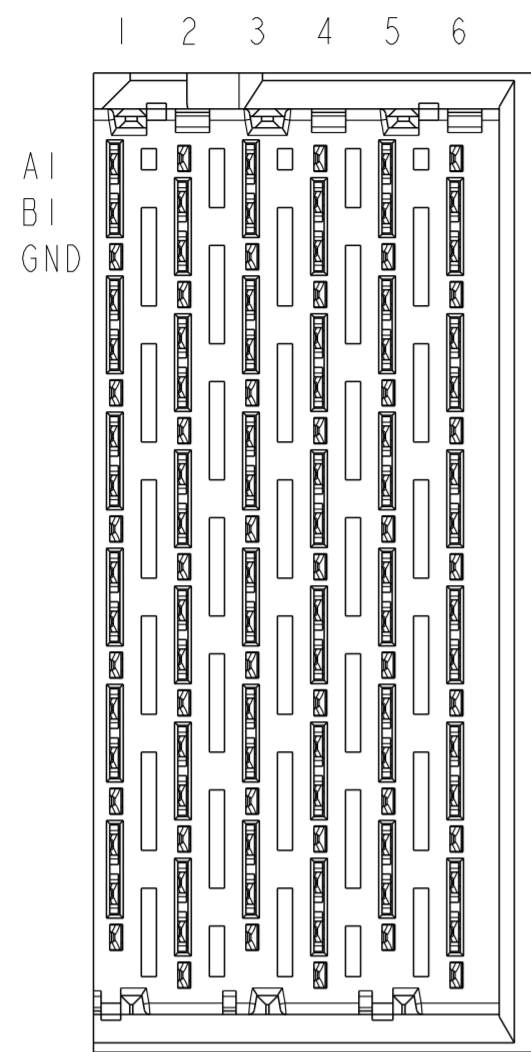
© 2016 AFCI

spec ref	-	dr	Mary Glass	2012/02/09	projection	MM	size	A2	scale	5:1
tolerance std	ASME Y14.5	eng	Sandar Soe	2016/03/08	chr	-	ecn no	ELX-S-17624-1	rel level	Released
TOLERANCES UNLESS OTHERWISE SPECIFIED		appr	Chen-Hong Tan	2016/03/17	product family	XCEDE HD	rel level	Released		
surface	linear	0.X	±0.3	Amphenol FCI	VERTICAL HEADER ASSEMBLY		dwg no	10119130	rev	C
		0.XX	±0.10		XCEDE HD 6 PAIR, 6 COLUMN					
		0.XXX	±0.05		www.fci.com					
	angular	0°	±2°	cat. no.	Product - Customer Drw		sheet 3 of 8			

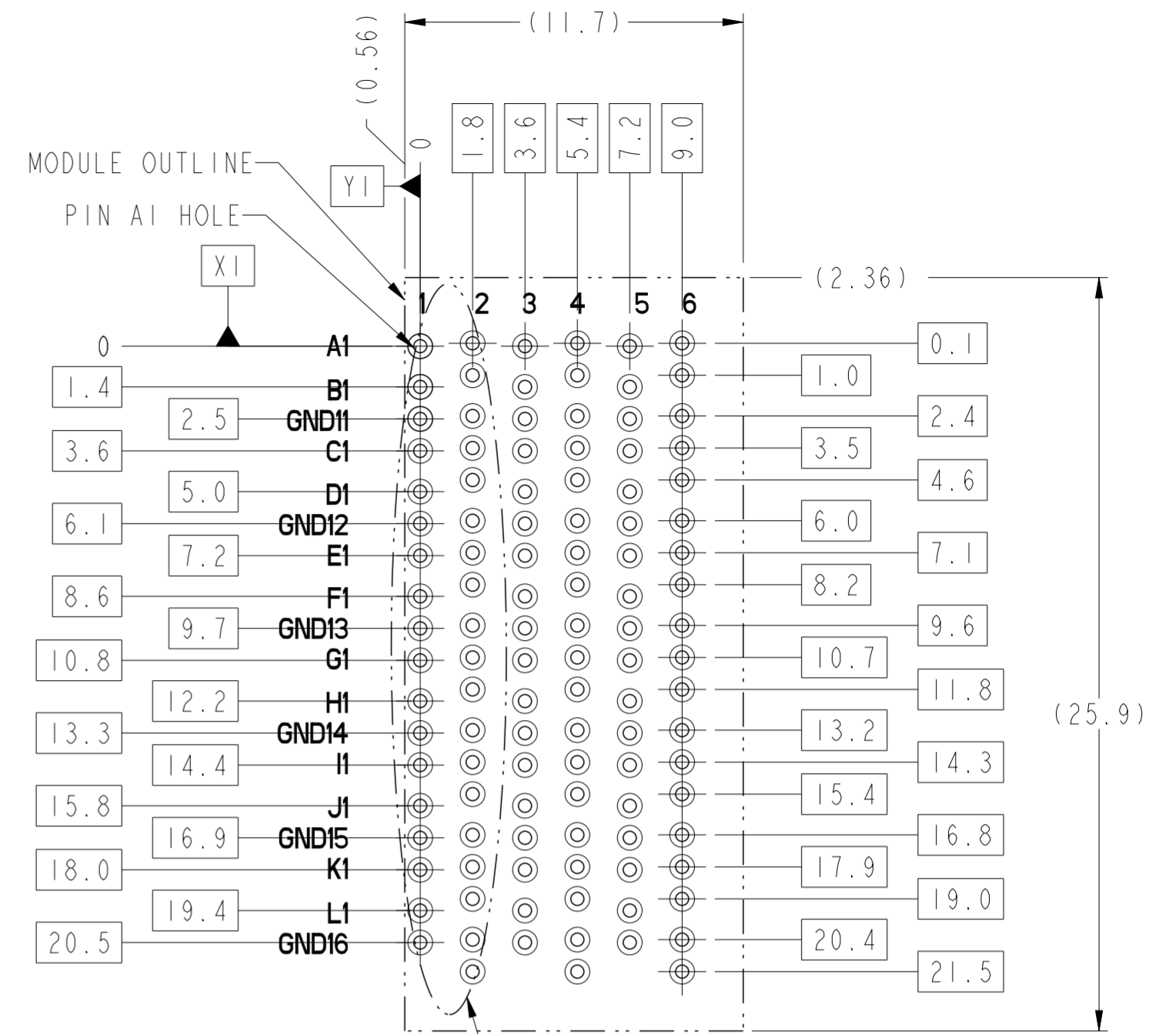
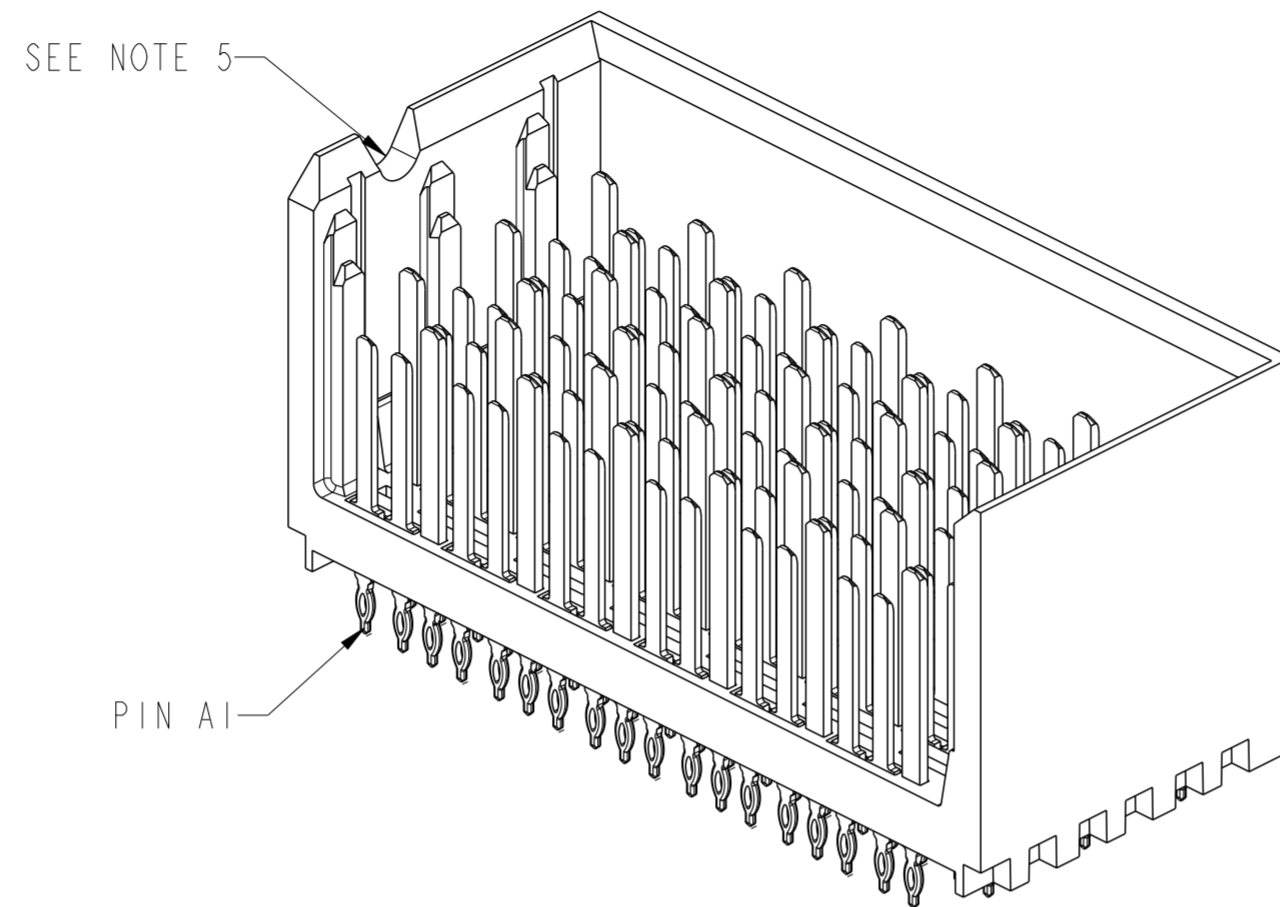
PDS: Rev :C

STATUS:Released

Printed: Mar 17, 2016

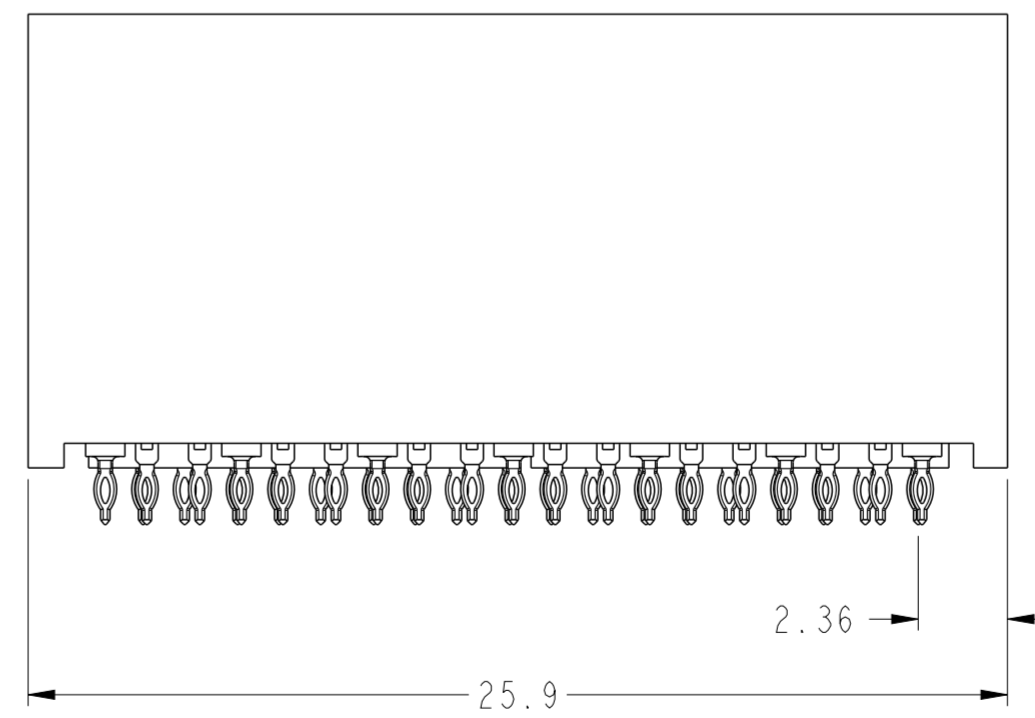
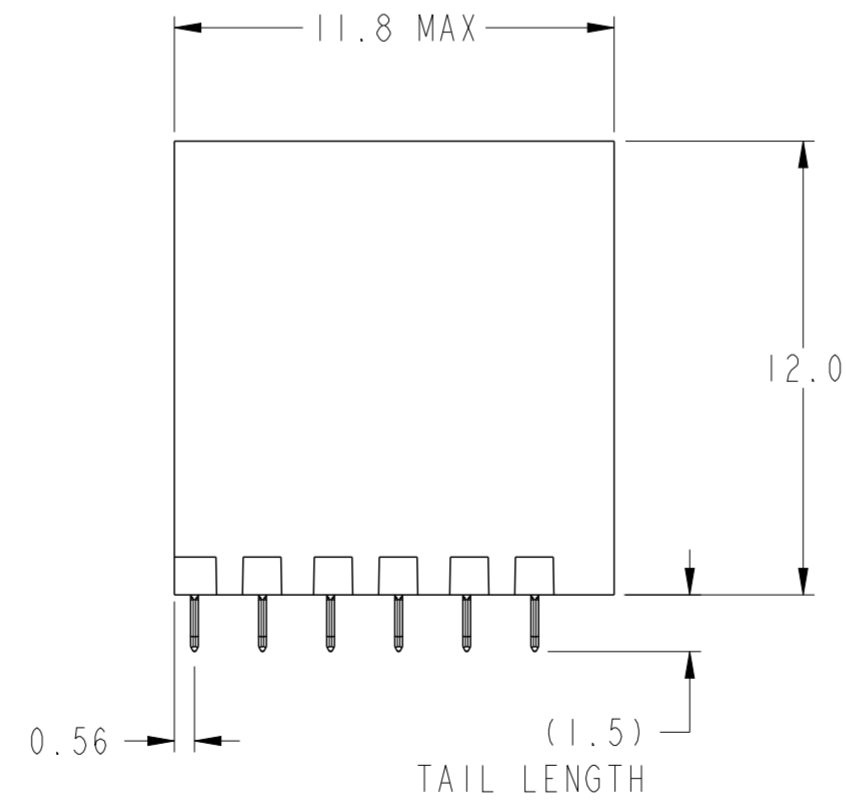
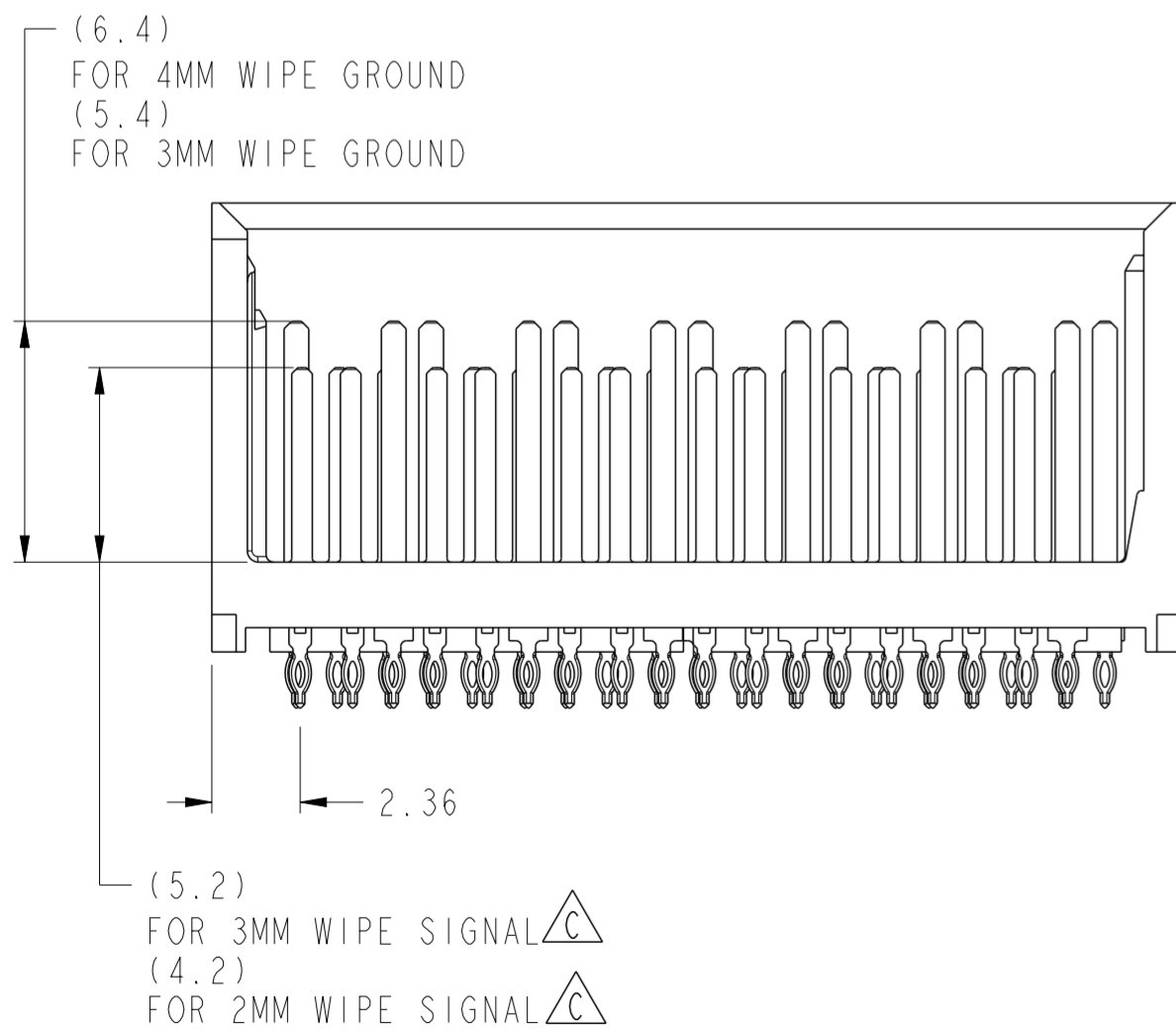


RIGHT WALL MODULE

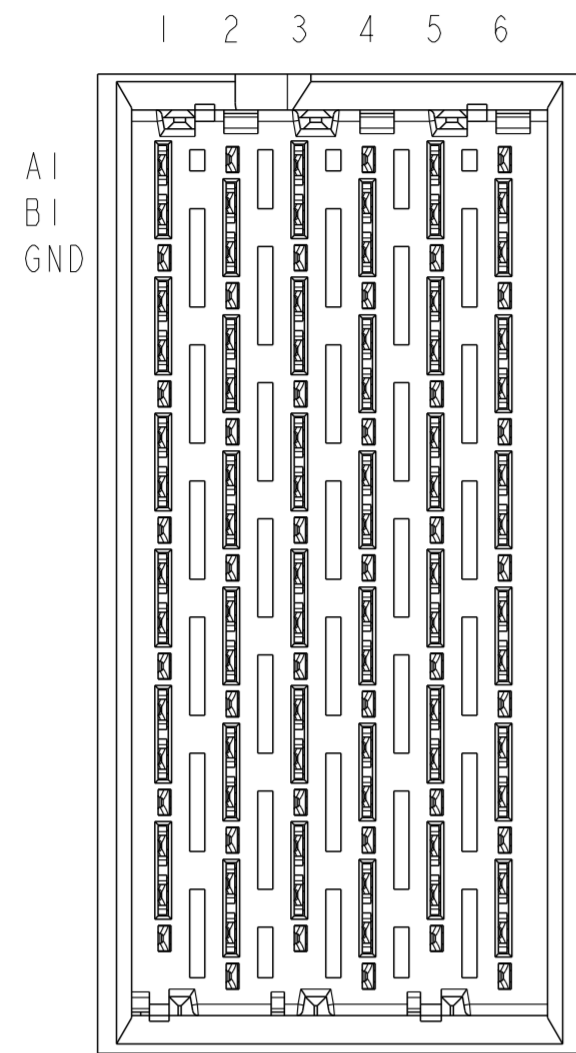


SEE DETAIL A ON SHEET 8 FOR PINOUT DETAILS

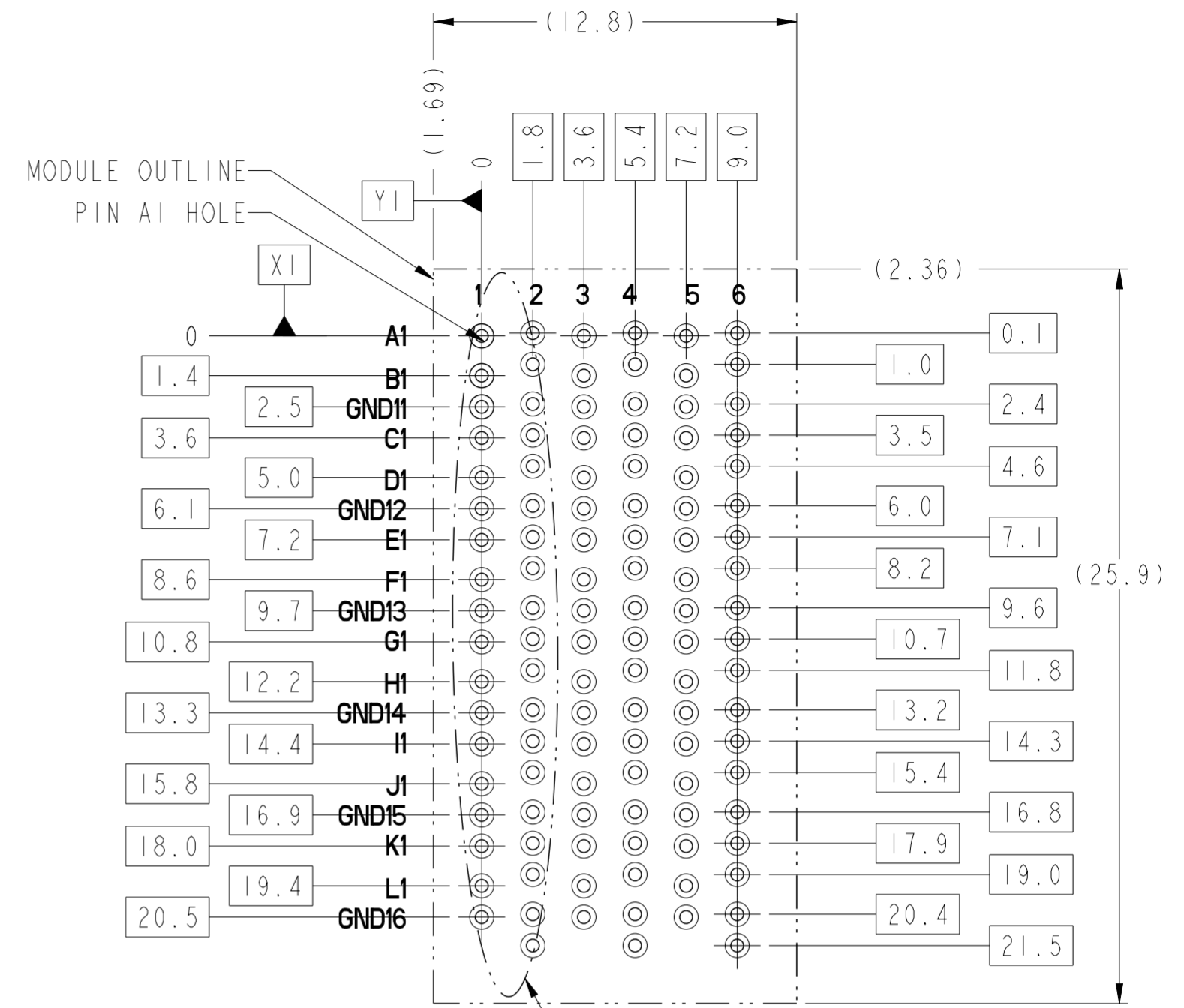
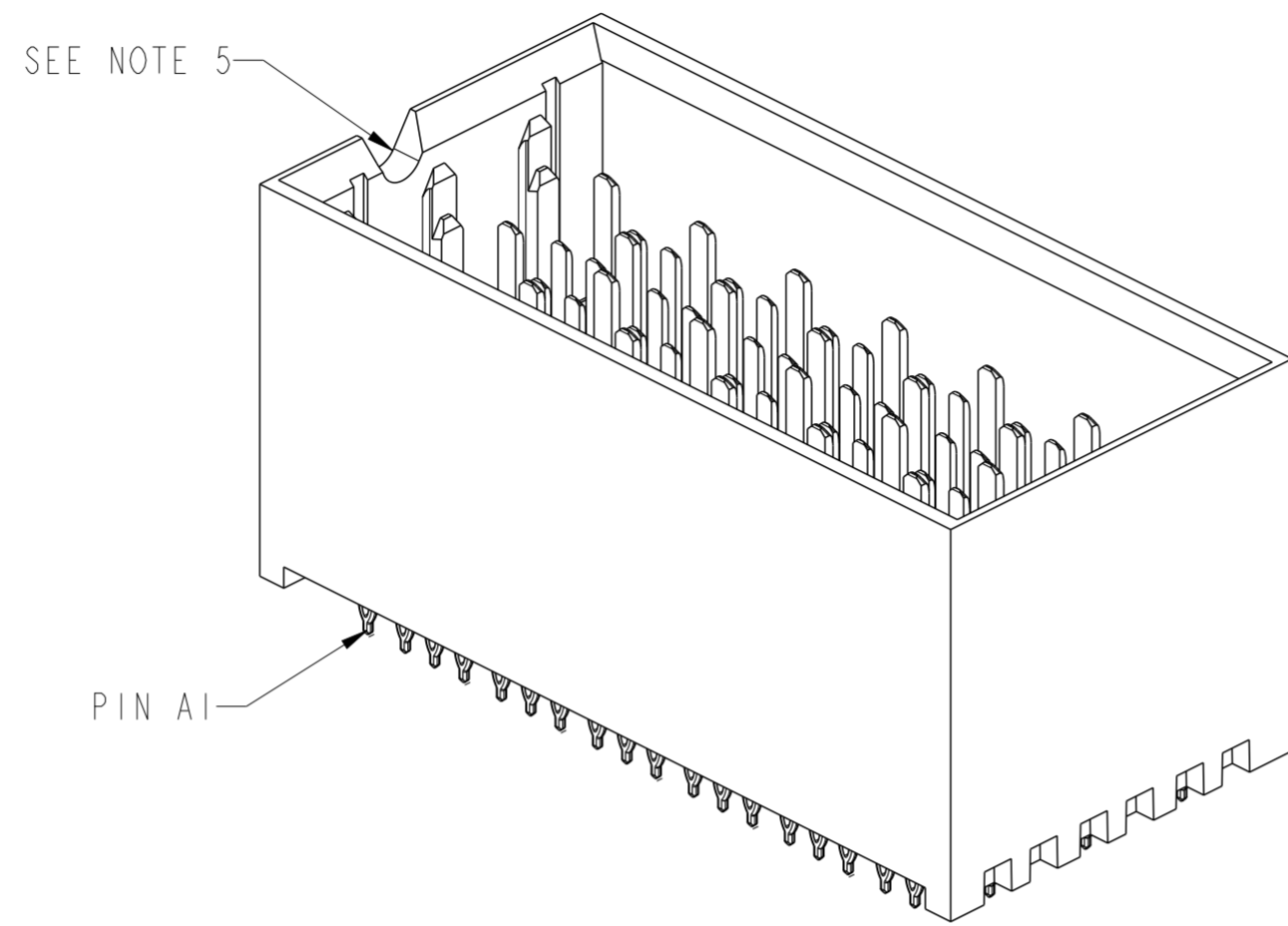
BP HOLE PATTERN COMPONENT SIDE  
RIGHT WALL MODULE BACKPLANE FOOTPRINT



spec ref	-	dr	Mary Glass	2012/02/09	projection	MM	size	A2	scale	5:1
tolerance std	ASME Y14.5	eng	Sandar Soe	2016/03/08			ecn no	ELX-S-17624-1	rel level	Released
TOLERANCES UNLESS OTHERWISE SPECIFIED		chr	-	appr						
surface	linear	0.X	±0.3		<b>VERTICAL HEADER ASSEMBLY</b> XCEDE HD 6 PAIR, 6 COLUMN		dwg no 10119130	rev C	Product - Customer Drw	
		0.XX	±0.10		www.fci.com	cat. no.				sheet 4 of 8
	angular	0°	±2°							



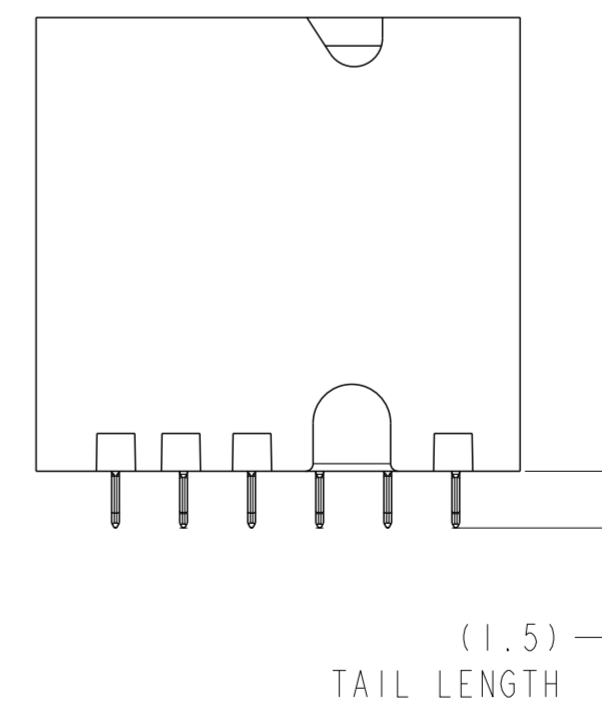
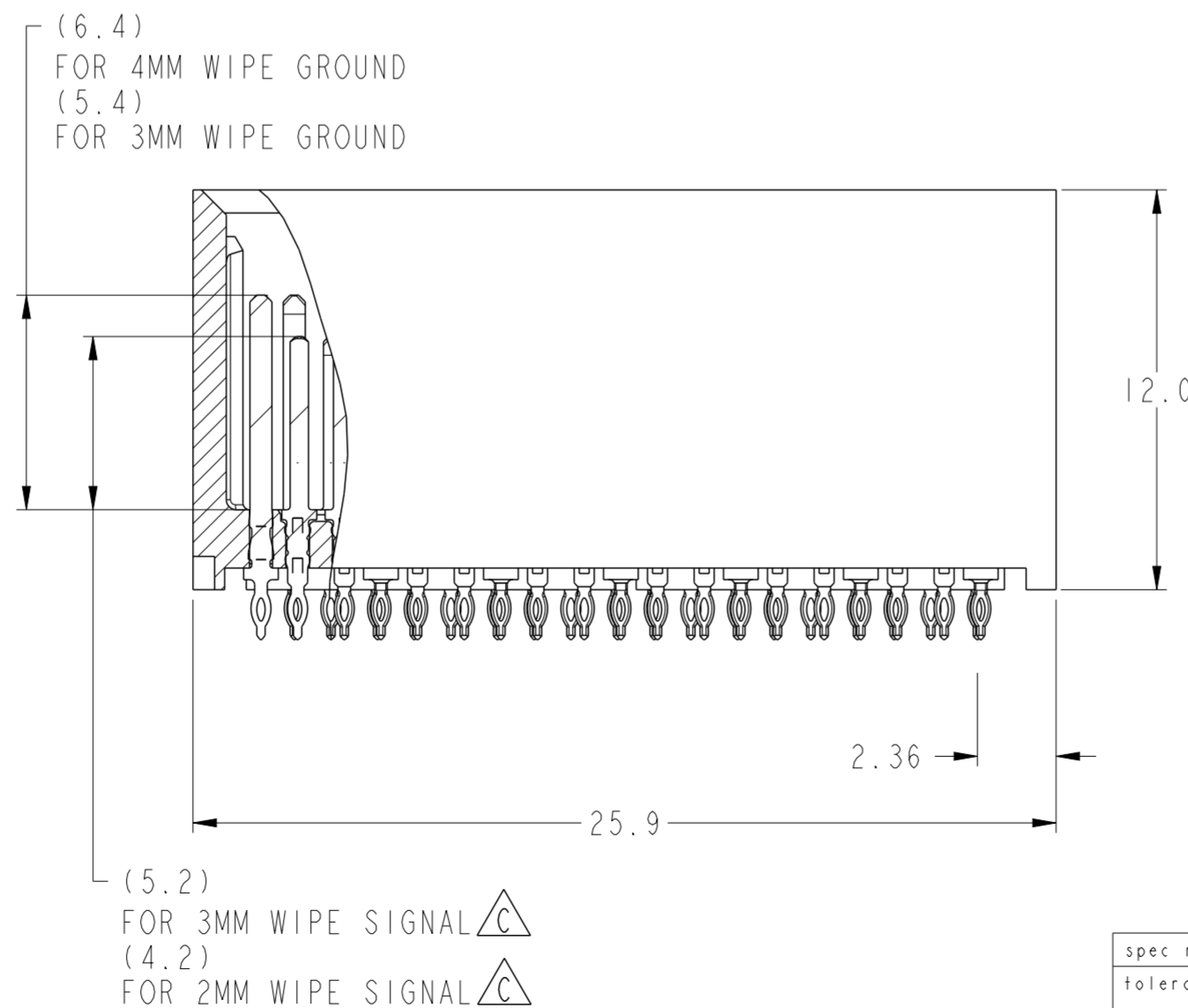
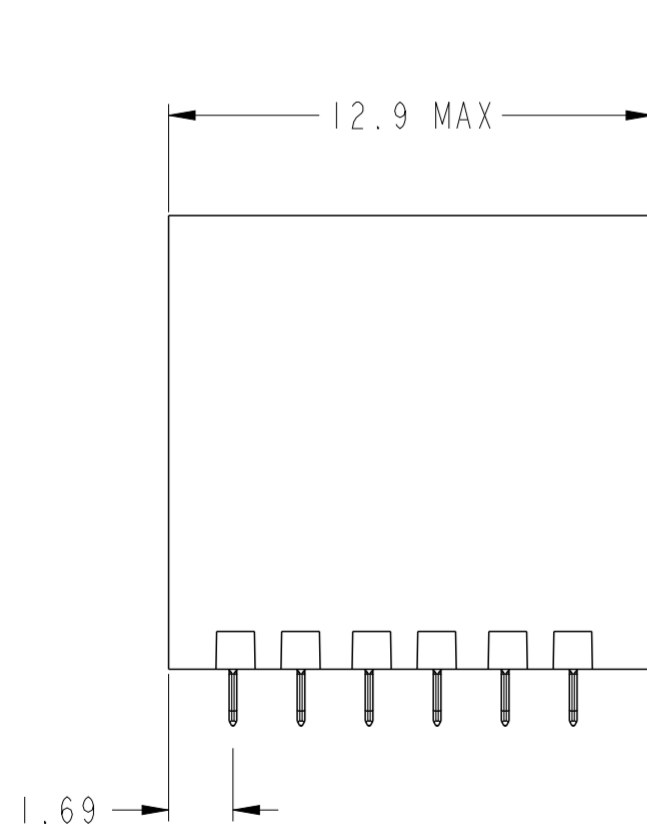
FOUR WALL MODULE



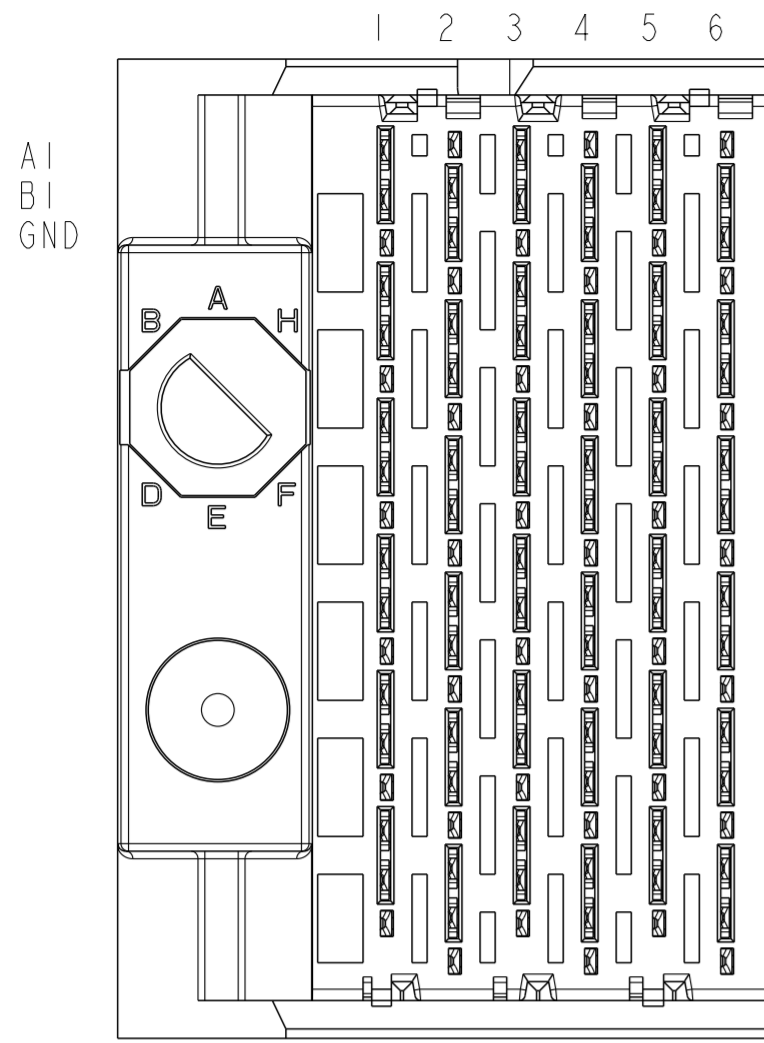
SEE DETAIL A  
ON SHEET 8 FOR PINOUT DETAILS

BP HOLE PATTERN COMPONENT SIDE

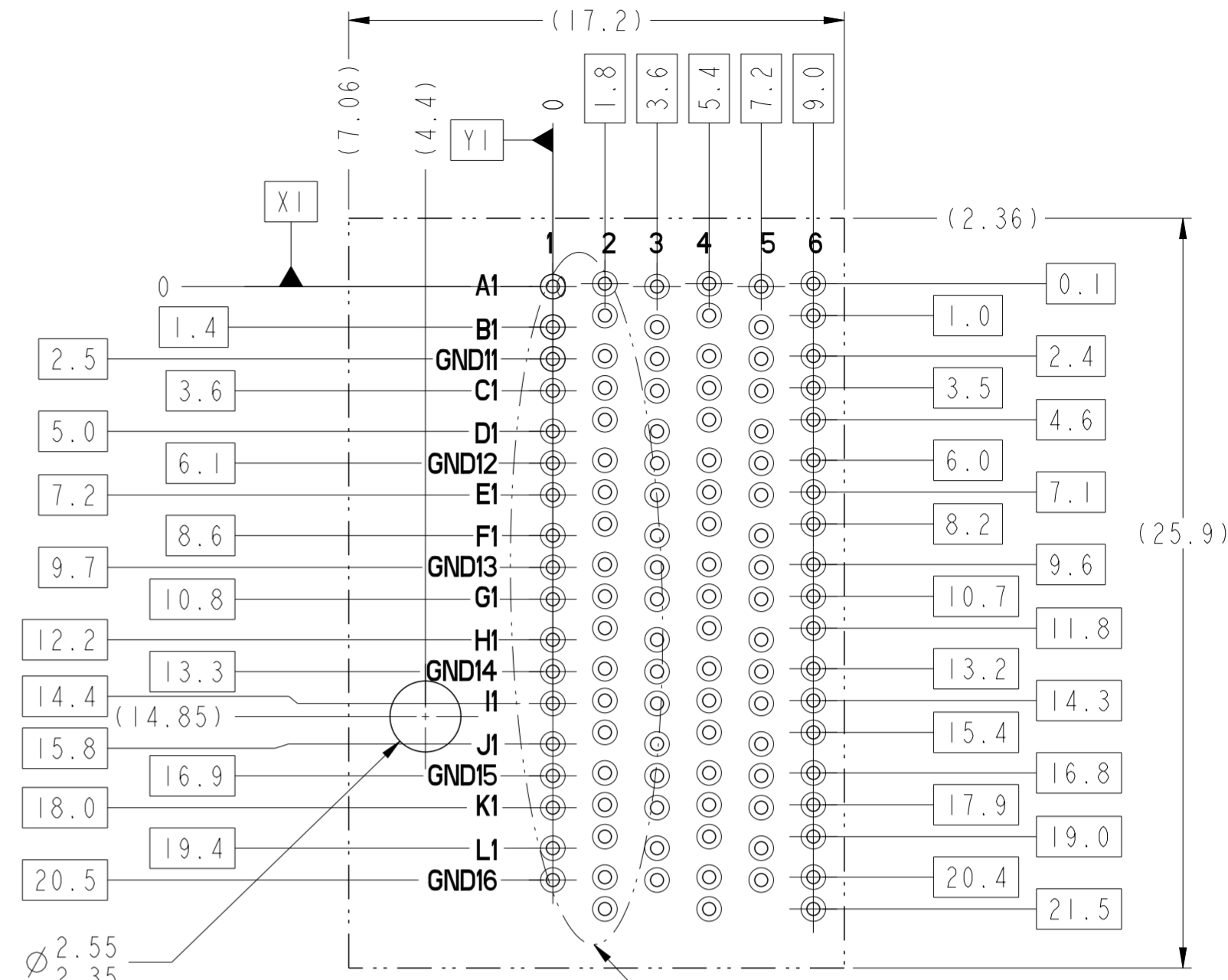
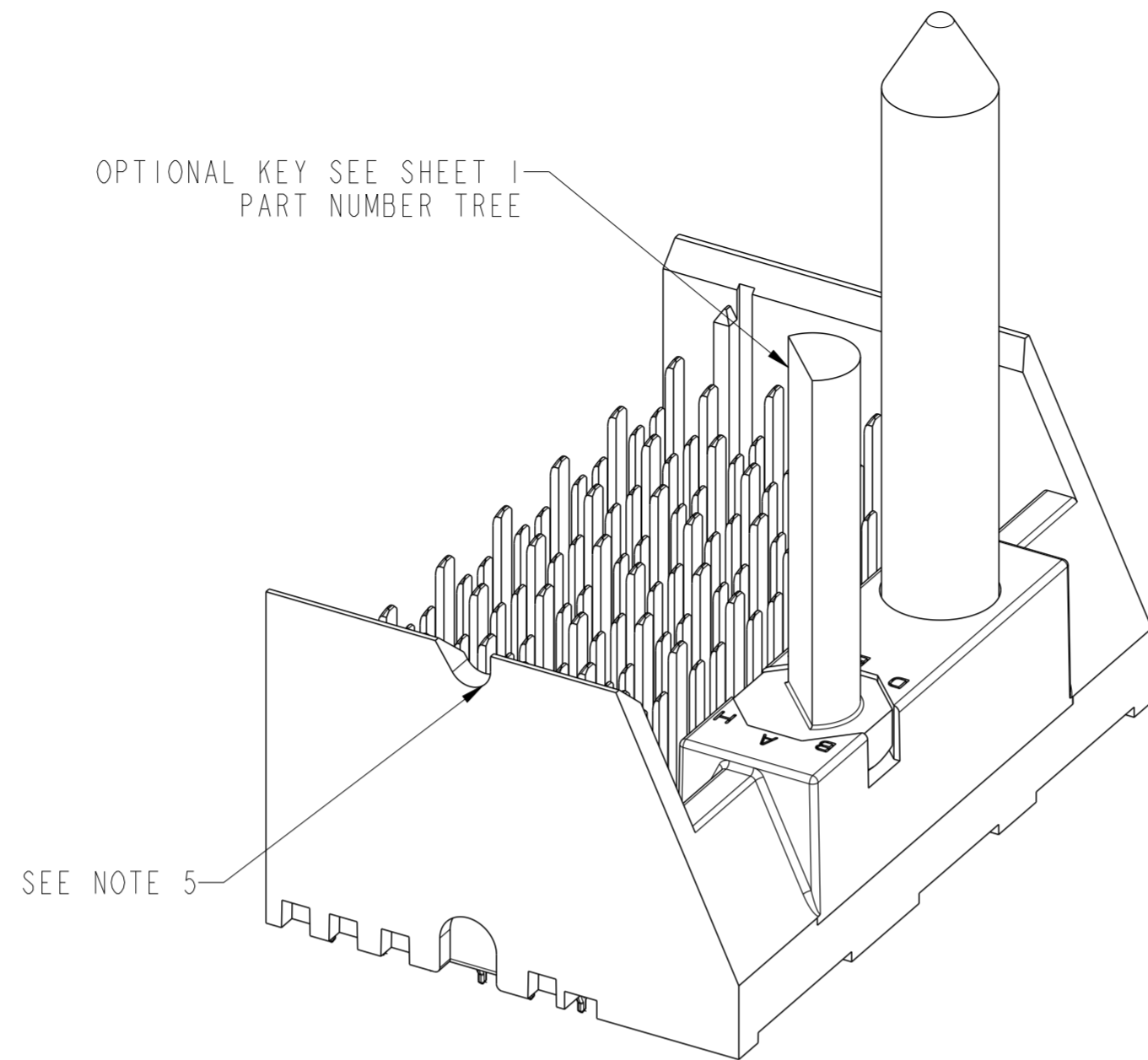
FOUR WALL MODULE BACKPLANE FOOTPRINT



spec ref	-	dr	Mary Glass	2012/02/09	projection	MM	size	A2	scale	5:1
tolerance std	ASME Y14.5	eng	Sandar Soe	2016/03/08	chr	-	ecn no	ELX-S-17624-1	rel level	Released
surface	linear	appr	Chen-Hong Tan	2016/03/17	product family	XCEDE HD	rel level	Released	cat. no.	Product - Customer Drw
ASME Y14.5	angular	0°	±2°	Amphenol FCI	VERTICAL HEADER ASSEMBLY	www.fci.com	cat. no.	10119130	rev	C
		0.X	±0.3							
		0.XX	±0.10							
		0.XXX	±0.05							



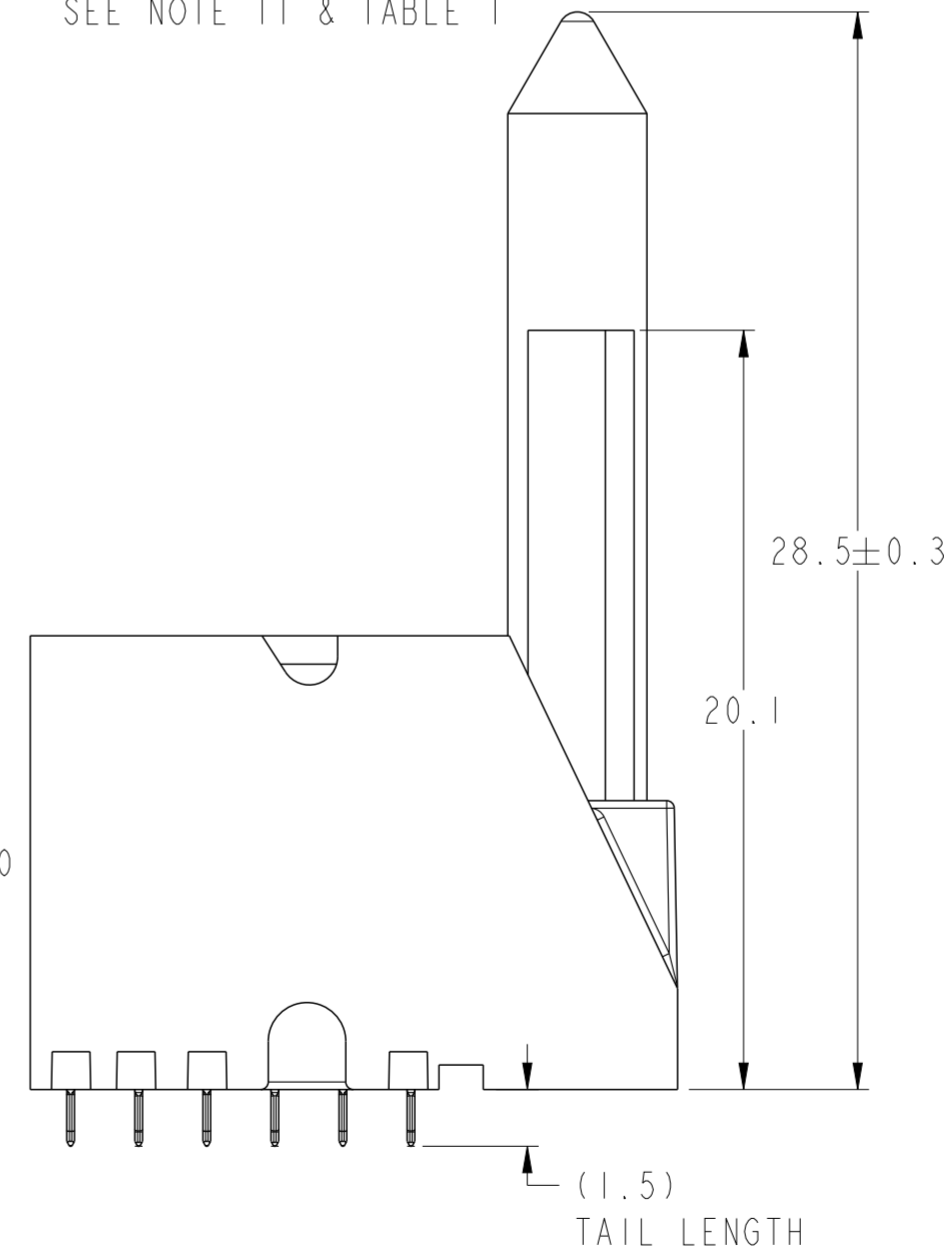
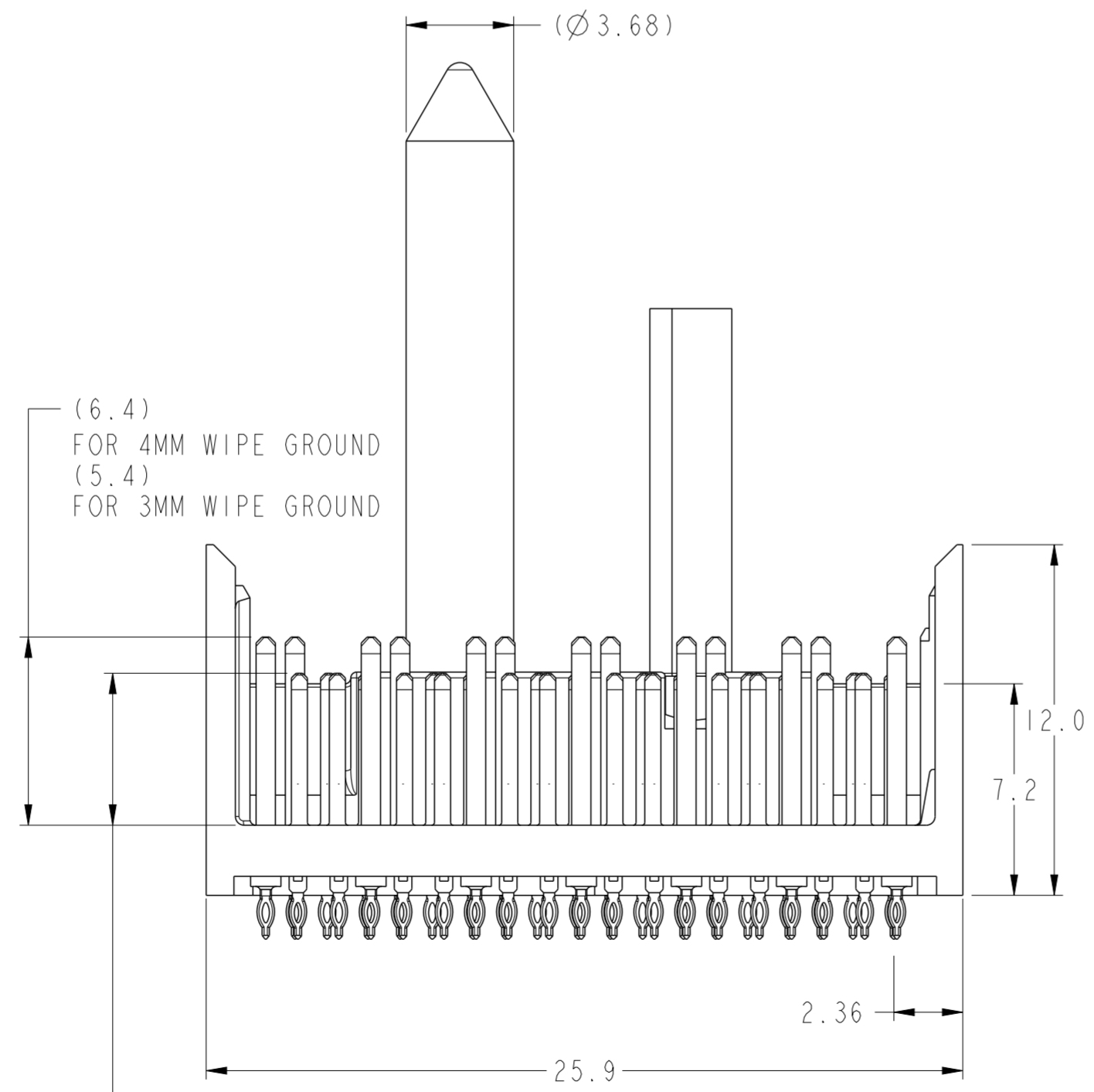
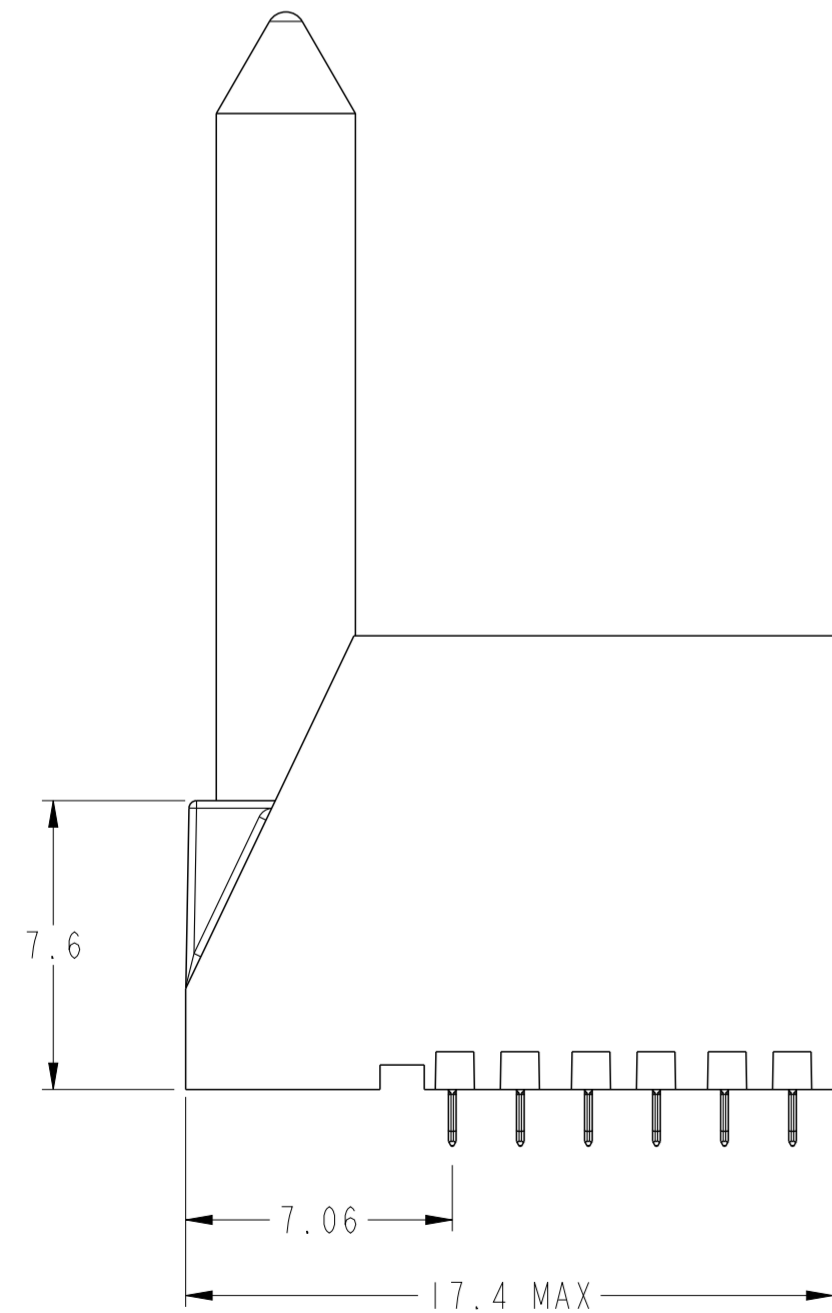
LEFT POLARIZING / GUIDE MODULE



SEE NOTE 11 & TABLE 1

SEE DETAIL A ON SHEET 8 FOR PINOUT DETAILS

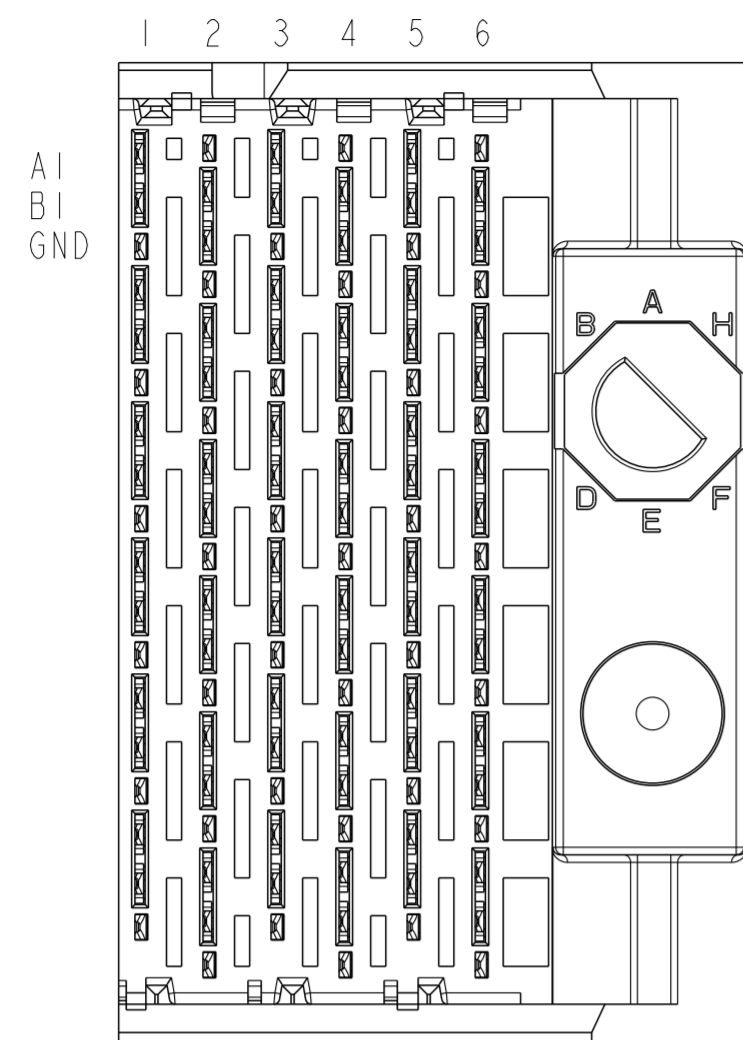
BP HOLE PATTERN COMPONENT SIDE  
LEFT POLARIZING GUIDE MODULE  
BACKPLANE FOOTPRINT



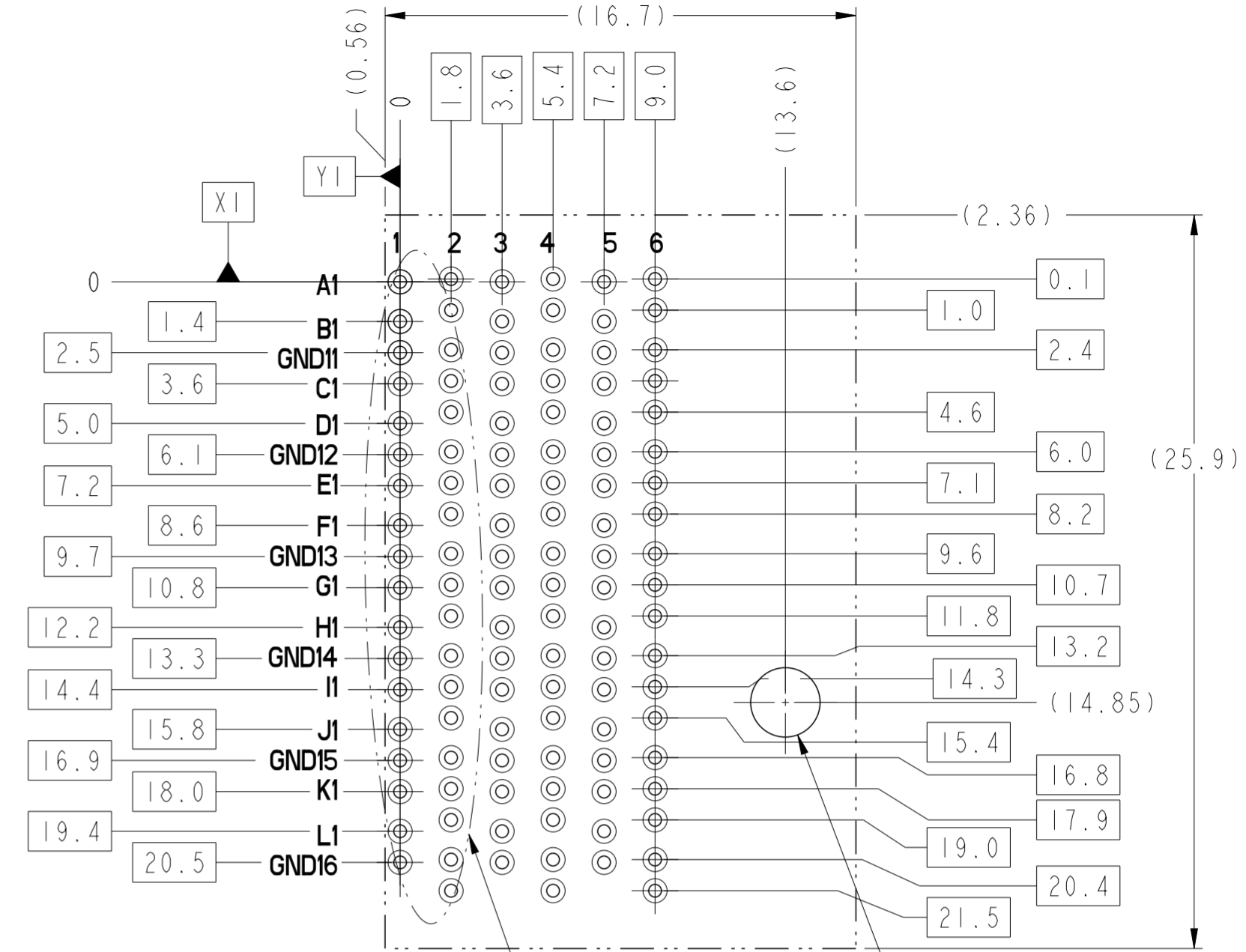
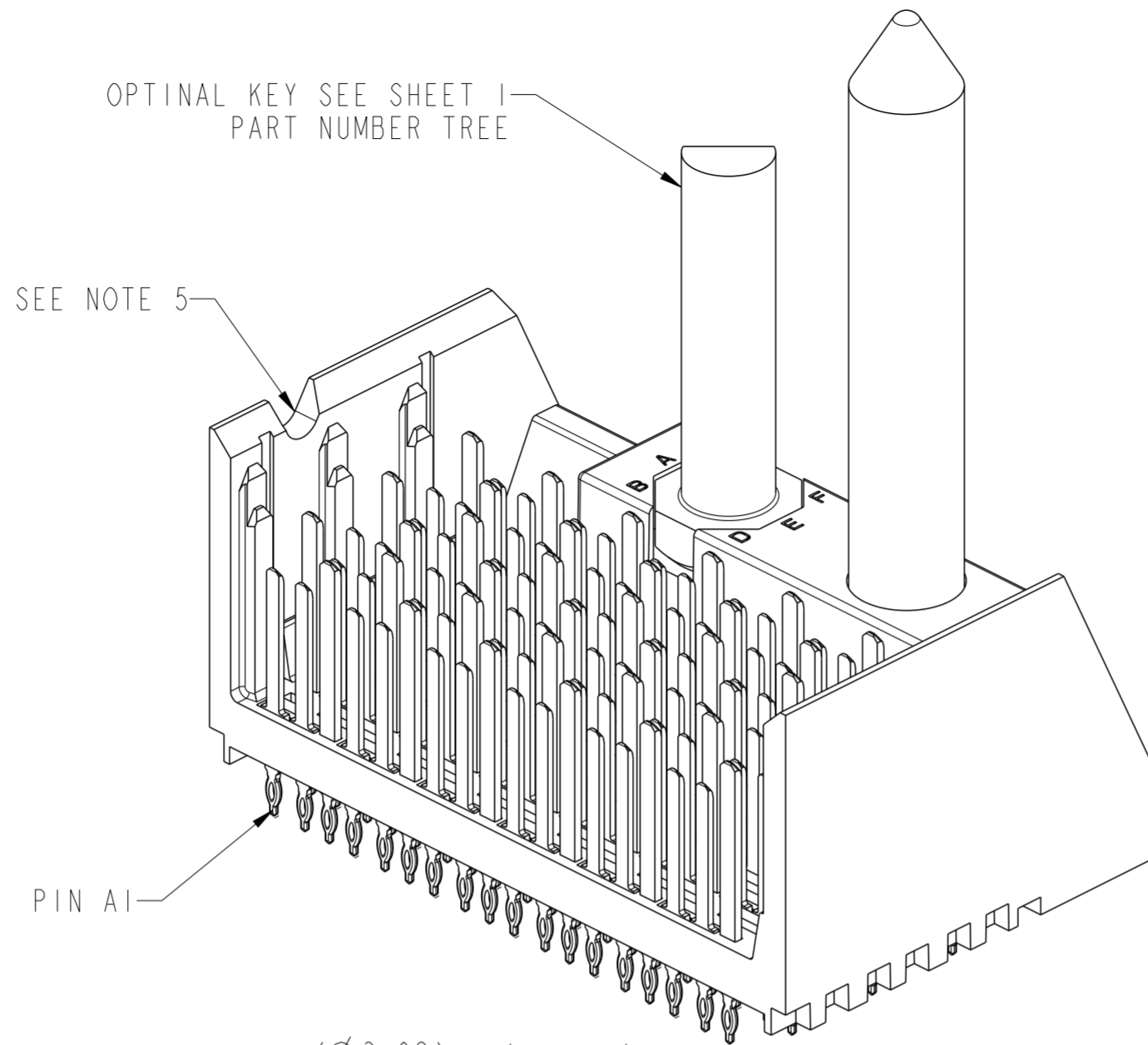
(6.4)  
FOR 4MM WIPE GROUND  
(5.4)  
FOR 3MM WIPE GROUND

(5.2)  
FOR 3MM WIPE SIGNAL  
(4.2)  
FOR 2MM WIPE SIGNAL

spec ref	-	dr	Mary Glass	2012/02/09	projection	MM	size	A2	scale	5:1
tolerance std	ASME Y14.5	eng	Sandar Soe	2016/03/08	chr	-	ecn no	ELX-S-17624-1	rel level	Released
surface	linear	app'r	Chen-Hong Tan	2016/03/17	product family	XCEDE HD	rel level	Released	cat. no.	10119130
ASME Y14.5	angular	0°	±2°	0.X	±0.3	0.XX	±0.10	0.XXX	±0.05	www.fci.com
TOLERANCES UNLESS OTHERWISE SPECIFIED		Amphenol FCI		VERTICAL HEADER ASSEMBLY		XCEDE HD 6 PAIR, 6 COLUMN		Product - Customer Drw		sheet 6 of 8



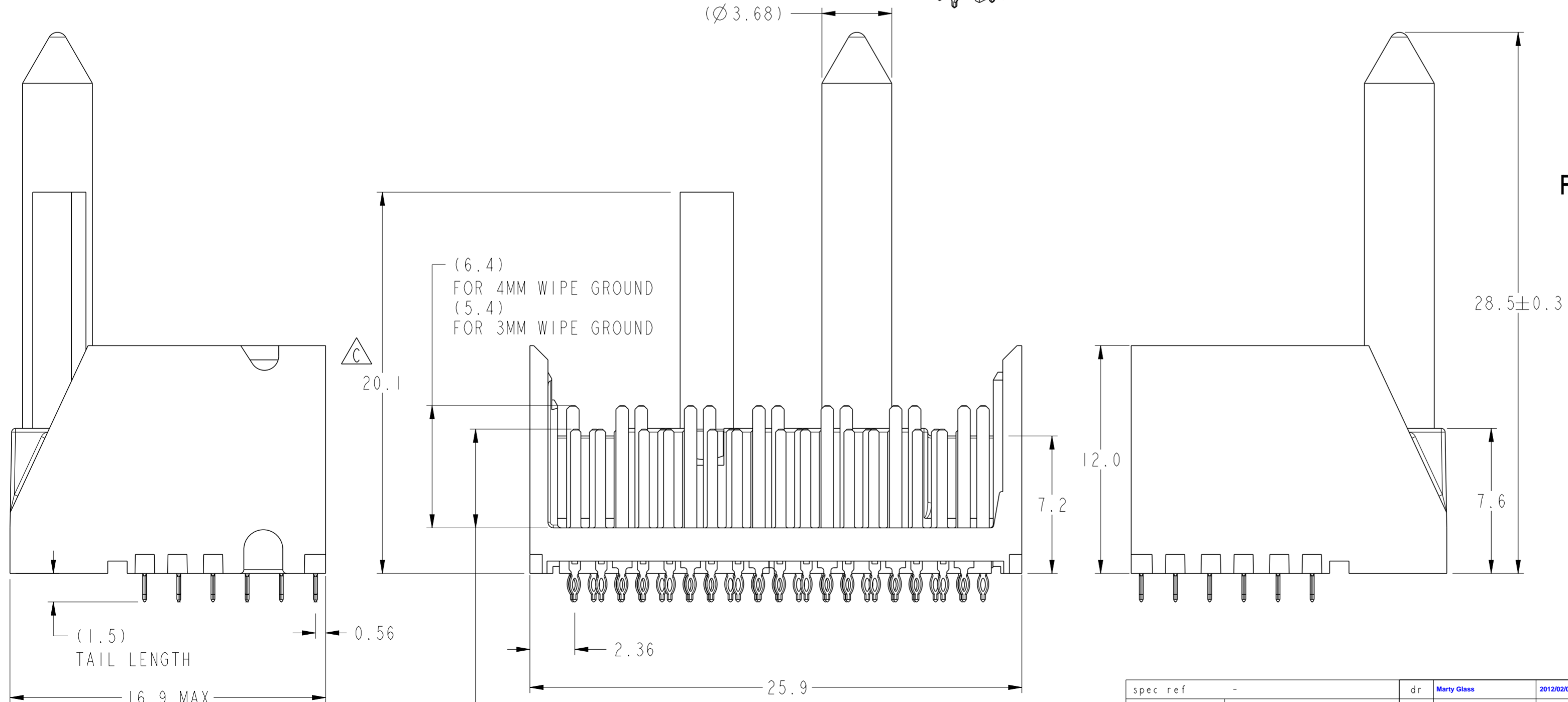
RIGHT POLARIZING GUIDE MODULE



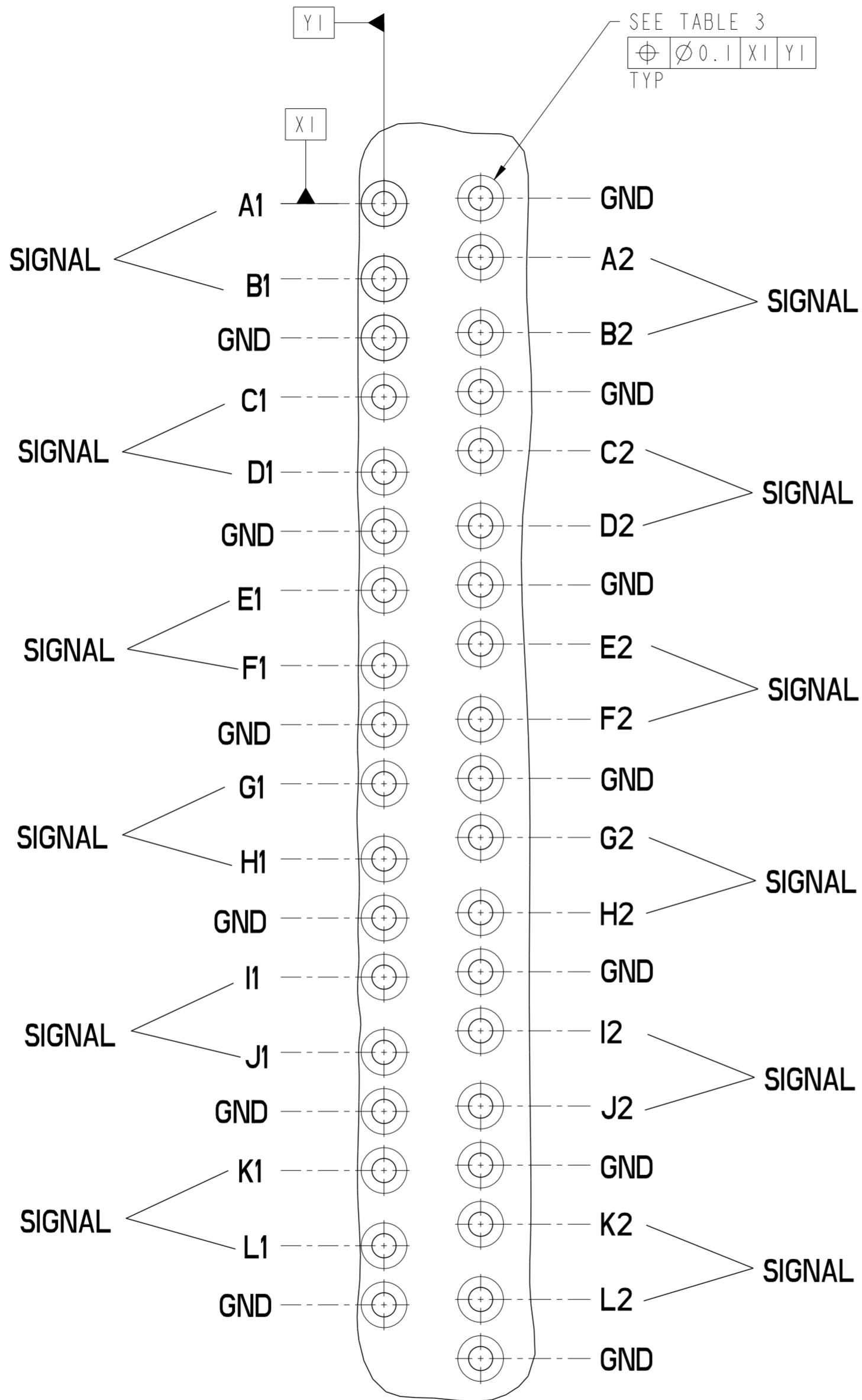
SEE DETAIL A ON SHEET 8 FOR PINOUT DETAILS

SEE NOTE 11 & TABLE 1

BP HOLE PATTERN COMPONENT SIDE  
RIGHT POLARIZING GUIDE MODULE  
BACKPLANE FOOTPRINT



spec ref	-	dr	Mary Glass	2012/02/09	projection	MM	size	A2	scale	5:1
tolerance std	ASME Y14.5	eng	Sandar Soe	2016/03/08	chr	-	ecn no	ELX-S-17624-1	rel level	Released
surface	ASME Y14.5	appr	Chen-Hong Tan	2016/03/17	product family	XCEDE HD	rel level	Released	cat. no.	Product - Customer Drw
linear	0.X ±0.3 0.XX ±0.10 0.XXX ±0.05	angular	0° ±2°	<b>Amphenol FCI</b> VERTICAL HEADER ASSEMBLY XCEDE HD 6 PAIR, 6 COLUMN www.fci.com		title XCEDE HD 6 PAIR, 6 COLUMN cat. no.	dwg no 10119130	rev C	sheet 7 of 8	



DETAIL A  
SCALE 12:1  
PINOUT DETAILS

TABLE 3		
	COMPLIANT PIN DRILL $\varnothing 0.55[0.0217"]$	COMPLIANT PIN DRILL $\varnothing 0.45[0.0117"]$
PTH	$\varnothing 0.45 \pm 0.05$	$\varnothing 0.36 \pm 0.05$
DRILL	$\varnothing 0.55[0.0217"]$	$\varnothing 0.45[0.0117"]$
PAD	$\varnothing 0.85$	$\varnothing 0.75$

NOTES:

1. CONNECTOR MATERIALS  
SHROUD : HIGH-TEMP POLYMER, COLOR : BLACK, UL94V-0  
CONTACTS : HIGH PERFORMANCE COPPER ALLOY
2. PRODUCT SPECIFICATION : GS-12-0936
3. APPLICATION SPECIFICATION : GS-20-0348
4. PRODUCT MARKING :  
PART NUMBER (10119130-X0C-XXXLF)  
"FCI" AND DATE CODE (FCI P#####)
5. NOTCH DESIGNATES "ROW A" SIDE OF CONNECTOR. NOTCH FEATURE ON OPPOSITE FOR PRODUCT MARKING.
6. PLATING THICKNESS OF SIGNAL & GROUND CONTACT ARE DETERMINED BY PLATING CODE, REFER TO P/N TREE ON SHEET 1.
7. PACKAGING MEETS GS-14-920 LEAD-FREE LABELING SPECIFICATION.
8. GUIDE-PIN STYLE DESIGNATION ONLY APPLIES TO MODULE VERSIONS THAT REQUIRE GUIDE-PIN HARDWARE. FOR ALL NON-GUIDE-PIN VERSIONS, THE DEFAULT DASH-NUMBER DIGIT IN THAT LOCATION IS STILL '0'.
9. SEE APPLICATION SPECIFICATION FOR ROUTING GUIDELINES, ADDITIONAL PTH GUIDELINES, MATED DIMENSIONS, GUIDE PIN SELECTION, ETC.
10. A  $\triangle C$  SYMBOL WILL BE NEXT TO ANY DIMENSION, VIEW OR NOTE THAT HAS BEEN MODIFIED WITH THE CURRENT DRAWING REVISION.
11. OPTIONAL HOLE LOCATION FOR GROUNDED PIN OR ADDITIONAL GUIDE-PIN SUPPORT. SEE TABLE 1 SHEET 1 FOR ADDITIONAL DETAILS.
12. SCREW IS OPTIONAL AND ENGAGES WITH BOTTOM OF GUIDE PIN FROM BENEATH THE PCB FOR ADDITIONAL GUIDE-PIN SUPPORT.

Amphenol  
FCi

© 2016 AFci

spec ref	-	dr	Mary Glass	2012/02/09	projection	MM	size	A2	scale	3:1
tolerance std	ASME Y14.5	eng	Sandar Soe	2016/03/08			ecn no	ELX-S-17624-1	rel level Released	rev C
TOLERANCES UNLESS OTHERWISE SPECIFIED		chr	-	appr			Chen-Hong Tan	2016/03/17		
surface	ASME Y14.5	linear	0.X	$\pm 0.3$	<b>Amphenol FCI</b> VERTICAL HEADER ASSEMBLY XCEDE HD 6 PAIR, 6 COLUMN www.fci.com		cat. no.	10119130	Product - Customer Drw	sheet 8 of 8
		angular	0°	$\pm 2^\circ$	PDS: Rev :C		STATUS:Released		Printed: Mar 17, 2016	



# Mouser Electronics

Authorized Distributor

Click to View Pricing, Inventory, Delivery & Lifecycle Information:

## [FCI / Amphenol:](#)

[10119130-U0C-10DLF](#) [10119130-U0C-50DLF](#) [10119130-G0C-30DLF](#) [10119130-L0C-20DLF](#) [10119130-W0C-40DLF](#) [10119130-E0C-60DLF](#) [10119130-W0C-80DLF](#) [10119130-J0C-80DLF](#) [10119130-G0C-70DLF](#) [10119130-G0C-50DLF](#) [10119130-F0C-20DLF](#) [10119130-Y0C-10DLF](#) [10119130-10C-10DLF](#) [10119130-00C-20DLF](#) [10119130-A0C-80DLF](#) [10119130-C0C-50DLF](#) [10119130-B0C-20DLF](#) [10119130-S0C-80DLF](#) [10119130-D0C-10DLF](#) [10119130-P0C-10DLF](#) [10119130-R0C-30DLF](#) [10119130-V0C-80DLF](#) [10119130-R0C-70DLF](#) [10119130-F0C-60DLF](#) [10119130-T0C-40DLF](#) [10119130-C0C-10DLF](#) [10119130-10C-50DLF](#) [10119130-T0C-80DLF](#) [10119130-P0C-60DLF](#) [10119130-T0C-10DLF](#) [10119130-V0C-40DLF](#) [10119130-P0C-20DLF](#) [10119130-F0C-40DLF](#) [10119130-H0C-40DLF](#) [10119130-10C-20DLF](#) [10119130-V0C-50DLF](#) [10119130-00C-10DLF](#) [10119130-C0C-70DLF](#) [10119130-Q0C-10DLF](#) [10119130-00C-40DLF](#) [10119130-H0C-10DLF](#) [10119130-S0C-40DLF](#) [10119130-D0C-30DLF](#) [10119130-10C-80DLF](#) [10119130-00C-60DLF](#) [10119130-W0C-60DLF](#) [10119130-L0C-80DLF](#) [10119130-Y0C-20DLF](#) [10119130-C0C-60DLF](#) [10119130-A0C-10DLF](#) [10119130-E0C-20DLF](#) [10119130-M0C-50DLF](#) [10119130-Y0C-70DLF](#) [10119130-Y0C-50DLF](#) [10119130-L0C-70DLF](#) [10119130-S0C-30DLF](#) [10119130-P0C-50DLF](#) [10119130-E0C-30DLF](#) [10119130-M0C-20DLF](#) [10119130-F0C-50DLF](#) [10119130-H0C-80DLF](#) [10119130-F0C-80DLF](#) [10119130-T0C-60DLF](#) [10119130-Q0C-60DLF](#) [10119130-A0C-60DLF](#) [10119130-S0C-50DLF](#) [10119130-W0C-50DLF](#) [10119130-D0C-50DLF](#) [10119130-Y0C-60DLF](#) [10119130-S0C-70DLF](#) [10119130-J0C-30DLF](#) [10119130-B0C-70DLF](#) [10119130-P0C-70DLF](#) [10119130-S0C-10DLF](#) [10119130-10C-70DLF](#) [10119130-T0C-50DLF](#) [10119130-G0C-40DLF](#) [10119130-C0C-80DLF](#) [10119130-00C-50DLF](#) [10119130-M0C-40DLF](#) [10119130-W0C-30DLF](#) [10119130-V0C-30DLF](#) [10119130-J0C-70DLF](#) [10119130-G0C-10DLF](#) [10119130-C0C-40DLF](#) [10119130-Q0C-30DLF](#) [10119130-Q0C-80DLF](#) [10119130-W0C-70DLF](#) [10119130-V0C-10DLF](#) [10119130-U0C-60DLF](#) [10119130-R0C-50DLF](#) [10119130-R0C-10DLF](#) [10119130-U0C-80DLF](#) [10119130-R0C-60DLF](#) [10119130-T0C-30DLF](#) [10119130-P0C-40DLF](#) [10119130-F0C-30DLF](#) [10119130-R0C-80DLF](#) [10119130-H0C-50DLF](#) [10119130-H0C-60DLF](#)