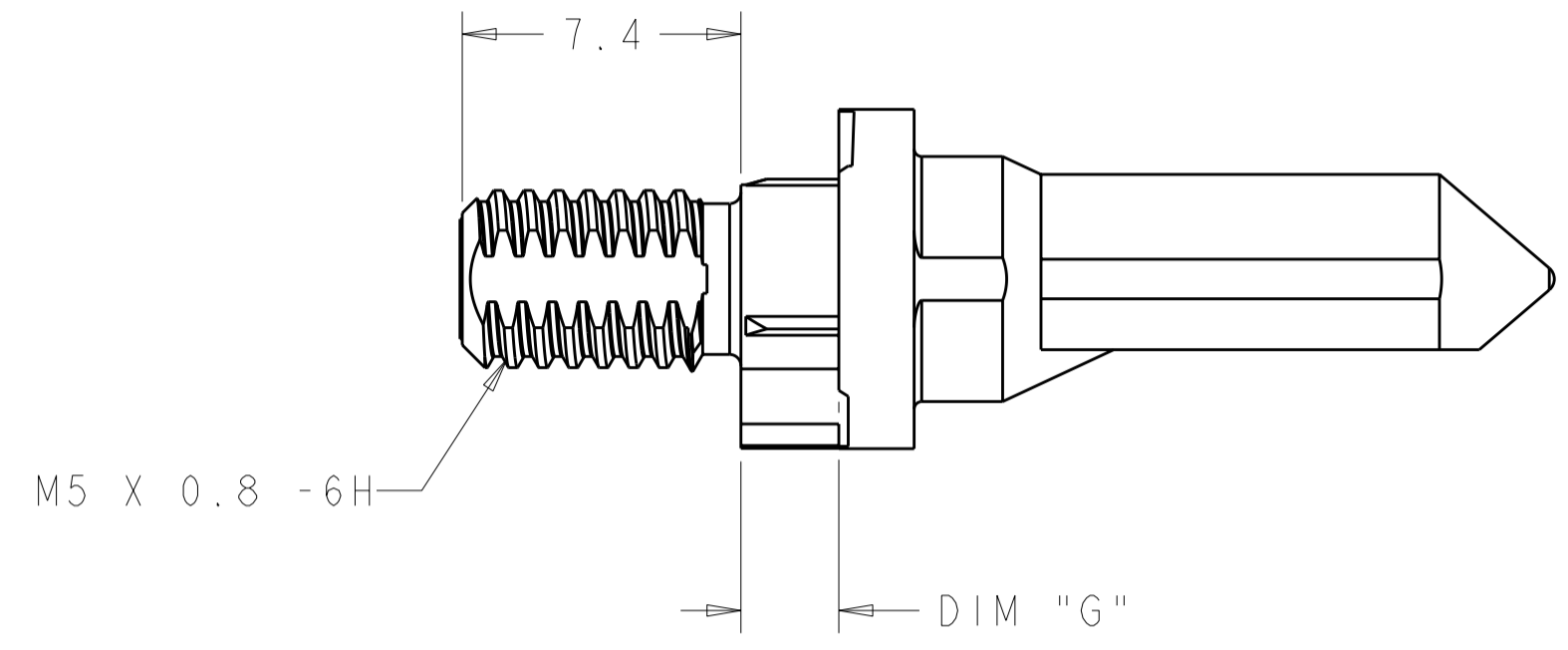
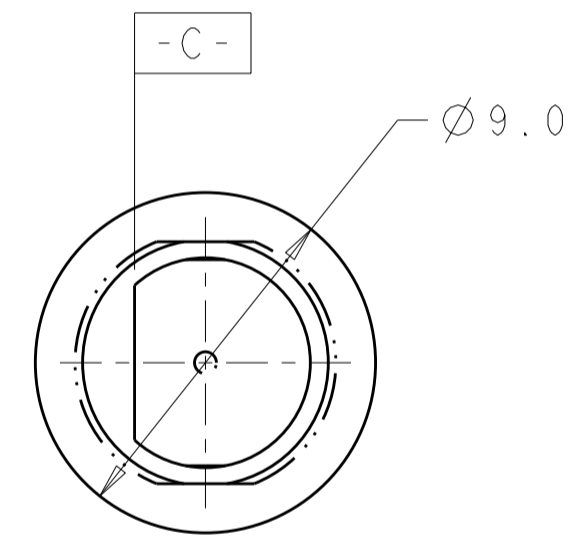
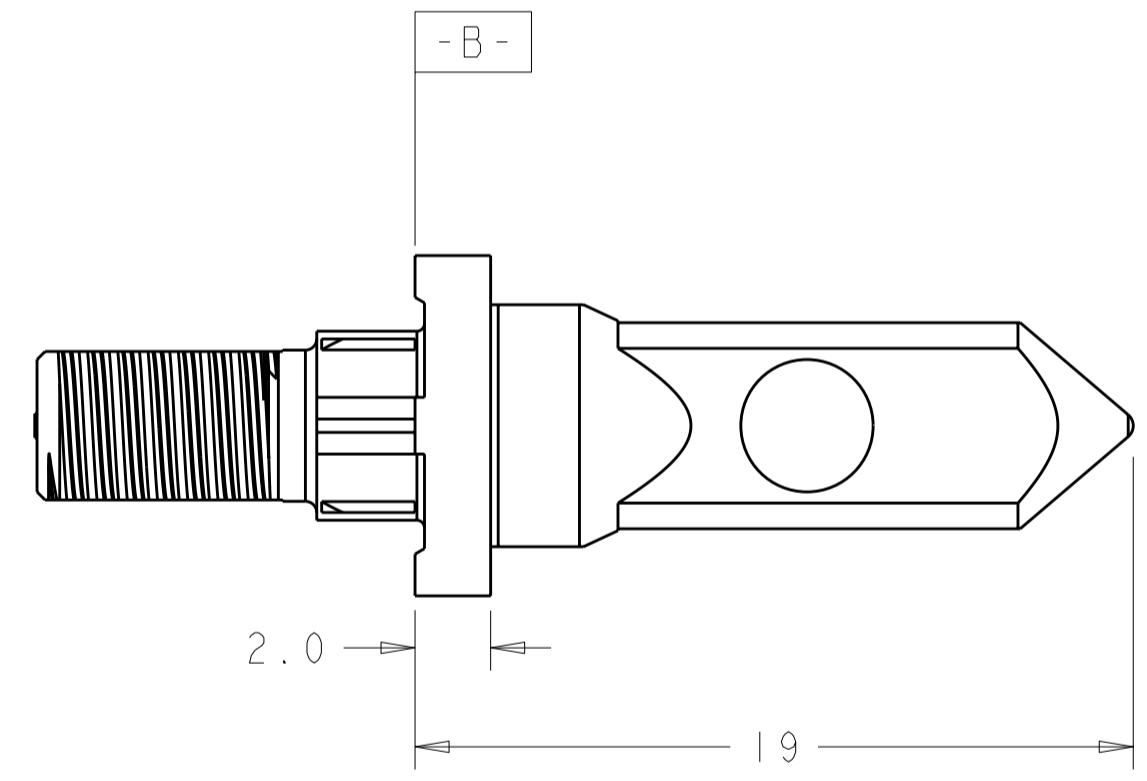
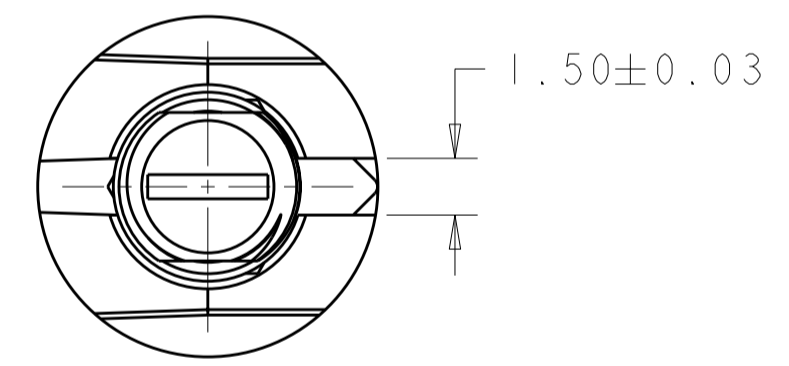


THIS DRAWING IS UNPUBLISHED. RELEASED FOR PUBLICATION 20  
 © COPYRIGHT 20 BY - ALL RIGHTS RESERVED.

LOC	DIST	REVISIONS			
P	LTR	DESCRIPTION	DATE	DWN	APVD
CG	00	A	RELEASED	04AUG2011	BC AS



- 1 KEY HOLE ORIENTATION (DIM A) PER MATING GUIDE MODULE PART NUMBER TABLE (ORIENTATION SHOWN ON PCB LAYOUT IS FOR 1-1410353-2).
- 2 ANNULAR RING PLATED AROUND GUIDE PIN MOUNTING HOLE ON TOP AND BOTTOM SIDE OF BOARD.
- 3 FINISH:  
3.81µm MINIMUM SILVER IN CONTACT AREA OVER NICKEL OVER COPPER ALL OVER.
- 4 MATERIAL: ZINC ALLOY.

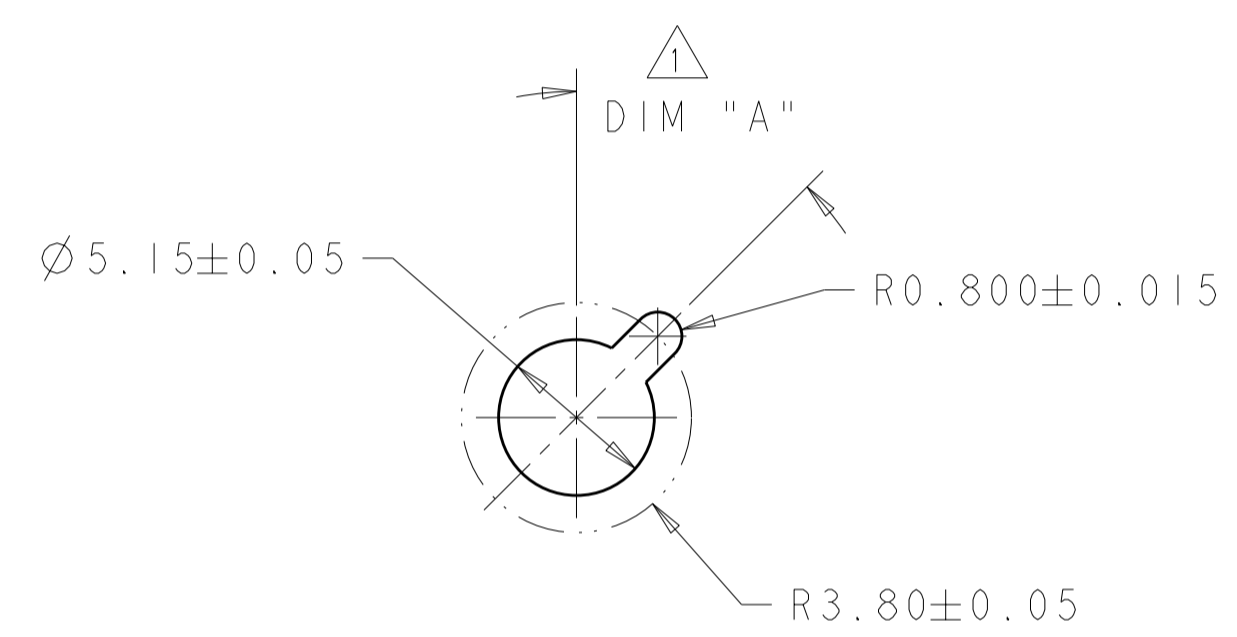


3	5.70	1-1410355-4
3	4.20	1-1410355-3
3	2.60	1-1410355-2
FINISH	DIM "G"	PART NUMBER

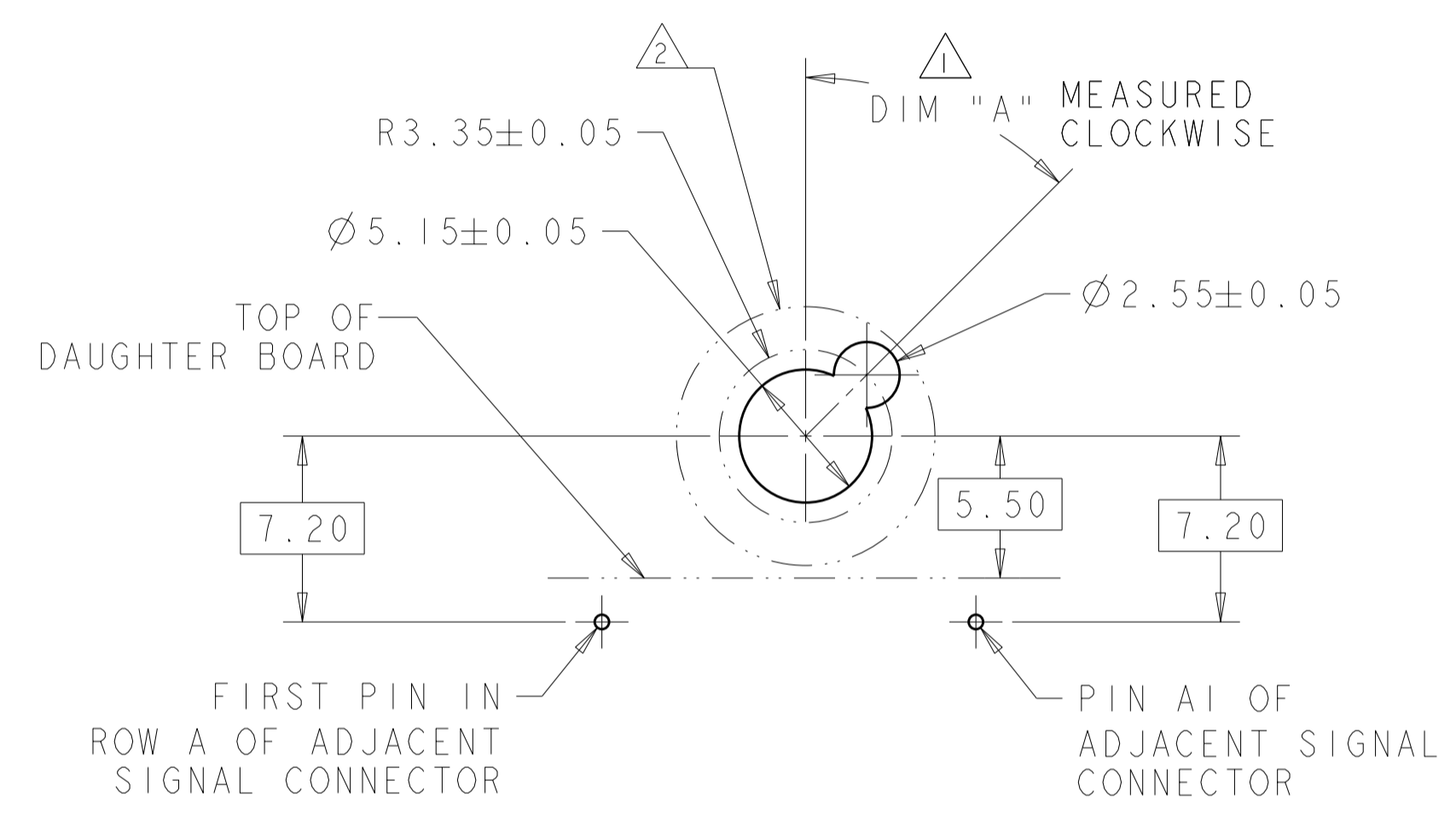
THIS DRAWING IS A CONTROLLED DOCUMENT.		DWN B. CARBO 04AUG2011	TE Connectivity			
DIMENSIONS: mm		CHK A. SHARPE 04AUG2011				
TOLERANCES UNLESS OTHERWISE SPECIFIED:		APVD A. SHARPE 04AUG2011	NAME KEYED GUIDE PIN, DIE CAST BACKPLANE CONNECTOR, MULTIGIG, THREADED POST			
0 PLC ± 1 PLC ±0.5 2 PLC ±0.13 3 PLC ±0.013 4 PLC ± ANGLES ± FINISH ±		PRODUCT SPEC 108-2072	SIZE A2	CAGE CODE 00779	DRAWING NO 1410355	RESTRICTED TO -
MATERIAL 4	-	APPLICATION SPEC 114-13056	SCALE 5:1		SHEET 1 OF 2	REV A
CUSTOMER DRAWING		WEIGHT -				

THIS DRAWING IS UNPUBLISHED. RELEASED FOR PUBLICATION 20  
 © COPYRIGHT 20 BY - ALL RIGHTS RESERVED.

LOC	DIST	REVISIONS			
P	LTR	DESCRIPTION	DATE	DWN	APVD
CG	00	-	SEE SHEET 1	-	-



ALTERNATE PCB LAYOUT FOR GUIDE POST  
SCALE 4:1



TIER 2 GUIDE PIN FOOTPRINT  
(20.3mm SIGNAL MODULES)  
SCALE 4:1

3	-	1-1410353-9
3	315°	1-1410353-8
3	270°	1-1410353-7
3	90°	1-1410353-3
3	45°	1-1410353-2
3	0°	1-1410353-1
FINISH	DIM "A"	20.3mm GUIDE MODULE
MATING GUIDE MODULE 1		

THIS DRAWING IS A CONTROLLED DOCUMENT.		DWN B. CARBO 04AUG2011	TE Connectivity			
DIMENSIONS: mm		CHK A. SHARPE 04AUG2011				
TOLERANCES UNLESS OTHERWISE SPECIFIED:		APVD A. SHARPE 04AUG2011	NAME KEYED GUIDE PIN, DIE CAST BACKPLANE CONNECTOR, MULTIGIG, THREADED POST			
0 PLC ± 1 PLC ±0.5 2 PLC ±0.13 3 PLC ±0.013 4 PLC ± ANGLES ± FINISH 3		PRODUCT SPEC 108-2072	SIZE A2	CAGE CODE 00779	DRAWING NO. 1410355	RESTRICTED TO -
MATERIAL 4		APPLICATION SPEC 114-13056	SCALE 1:1		SHEET 2 OF 2	REV A
		WEIGHT -	CUSTOMER DRAWING			

# Mouser Electronics

Authorized Distributor

Click to View Pricing, Inventory, Delivery & Lifecycle Information:

[TE Connectivity:](#)

[1-1410355-4](#)