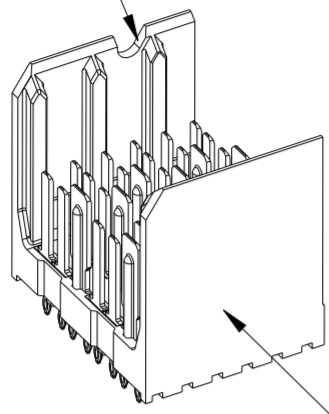
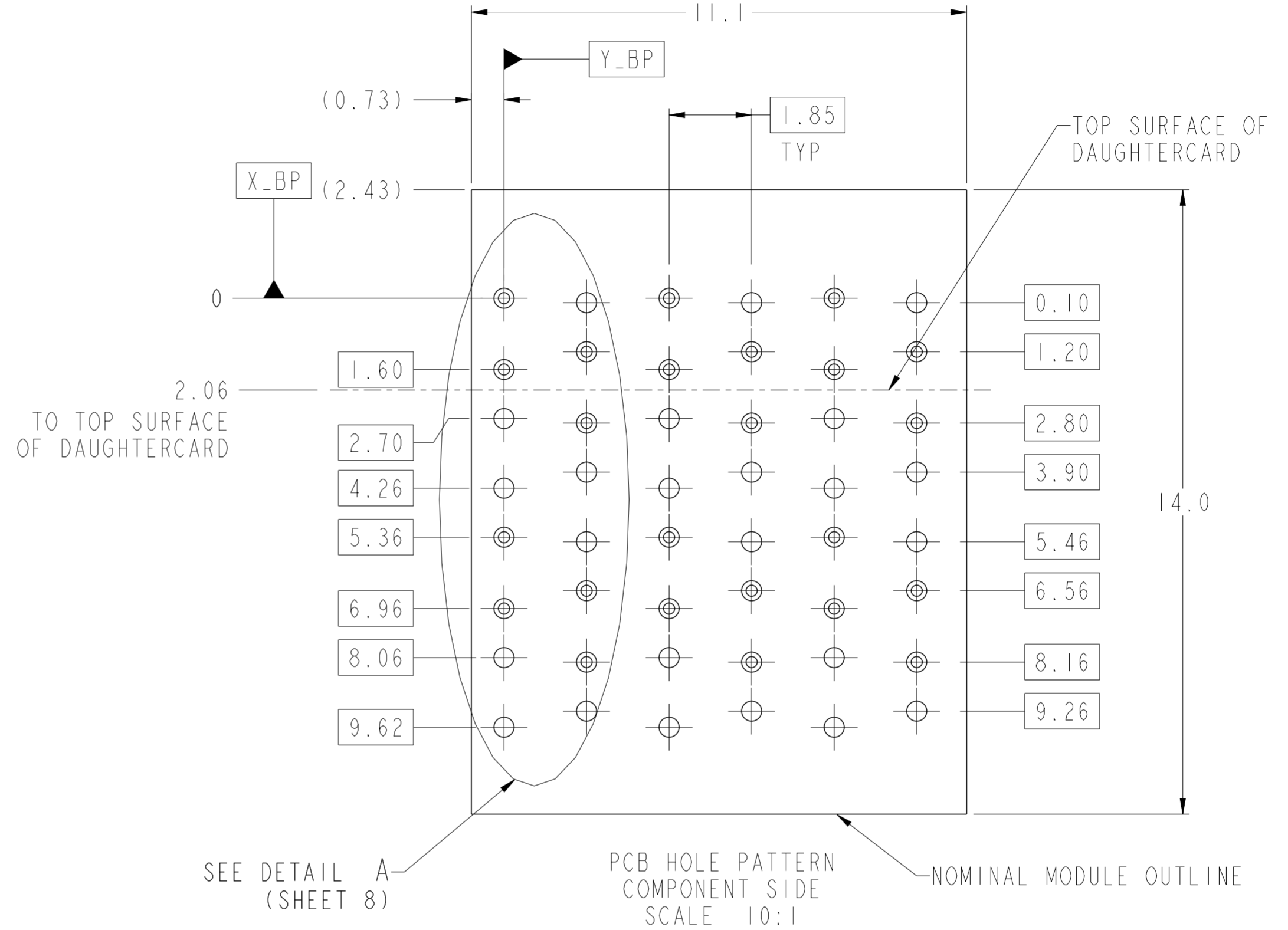
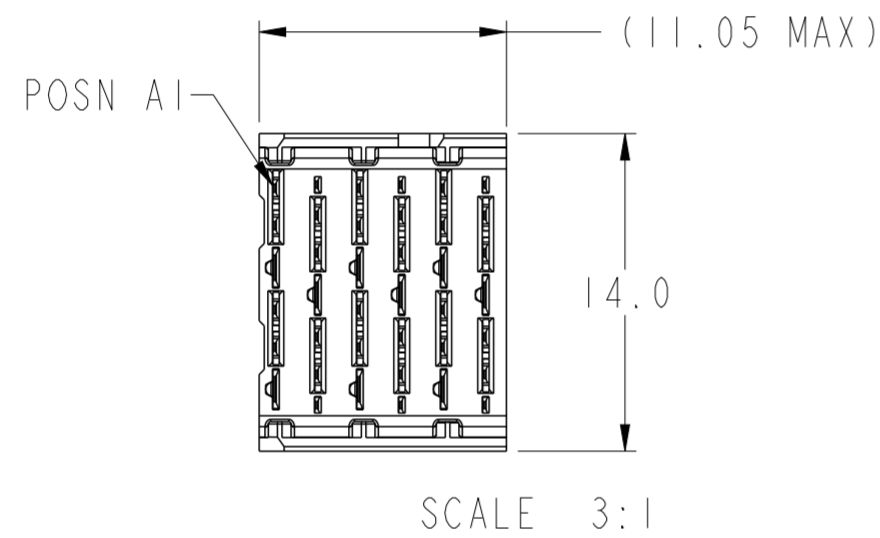


OPEN (2-WALL) MODULE

SEE NOTE 8

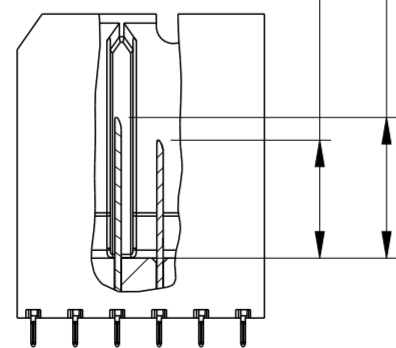


SEE NOTE 5

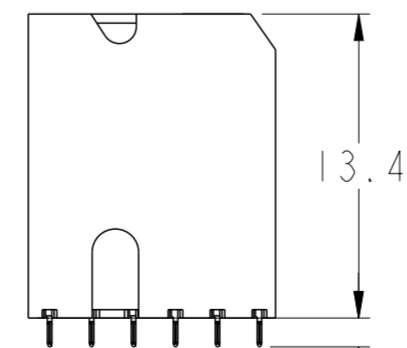
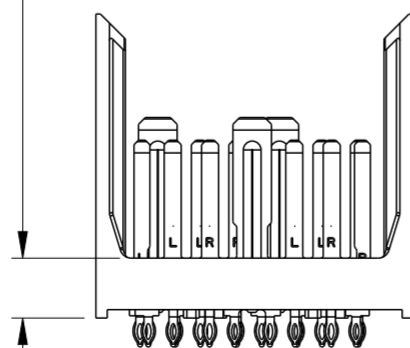


- 6.2 (4MM WIPE WIDE GROUNDS)
- 5.2 (3MM WIPE WIDE GROUNDS)
- 5.2 (3MM SMALL END GROUNDS)
- 5.2 (3MM WIPE SIGNALS)
- 4.2 (2MM WIPE SIGNALS)

(SEE P/N TREE FOR ALL COMBINATIONS AVAILABLE)



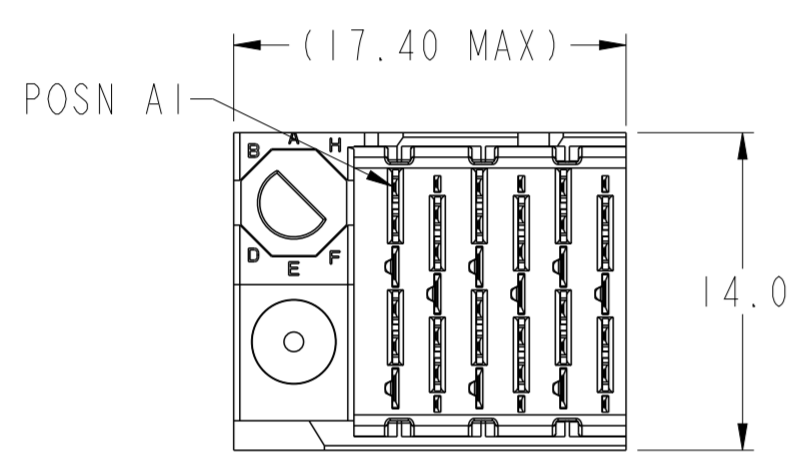
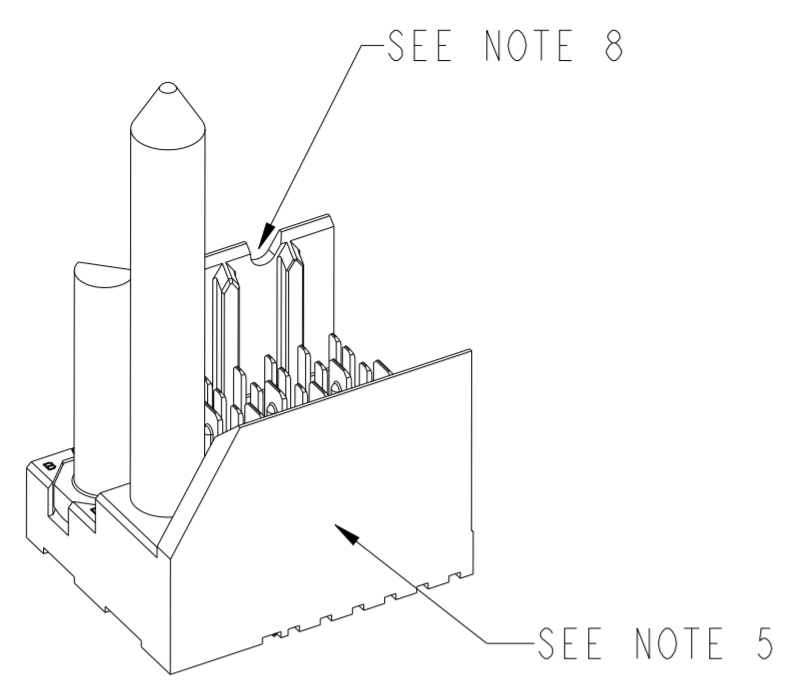
2.64±0.10 FROM STANDOFF SURFACE TO MATING SURFACE



1.27

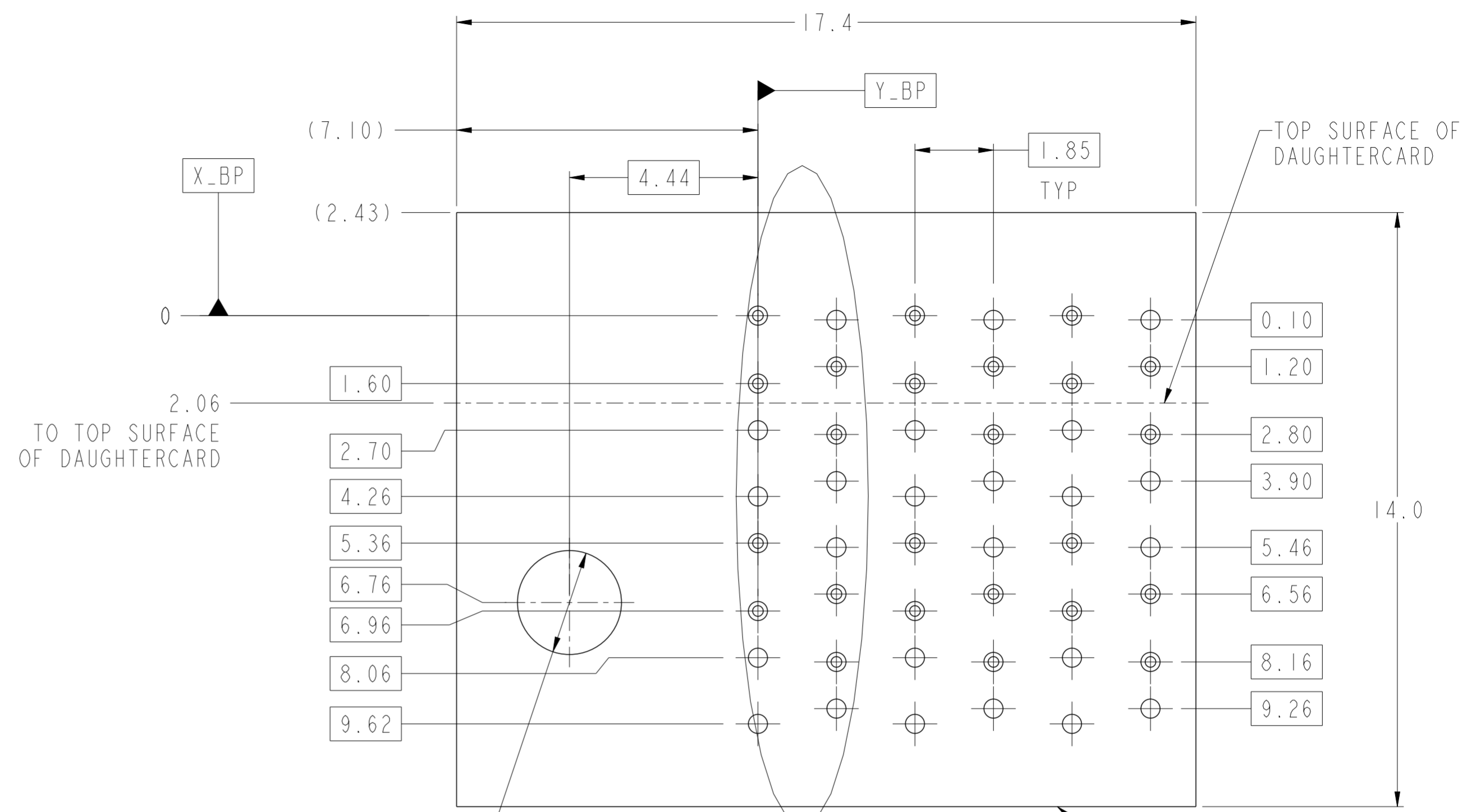
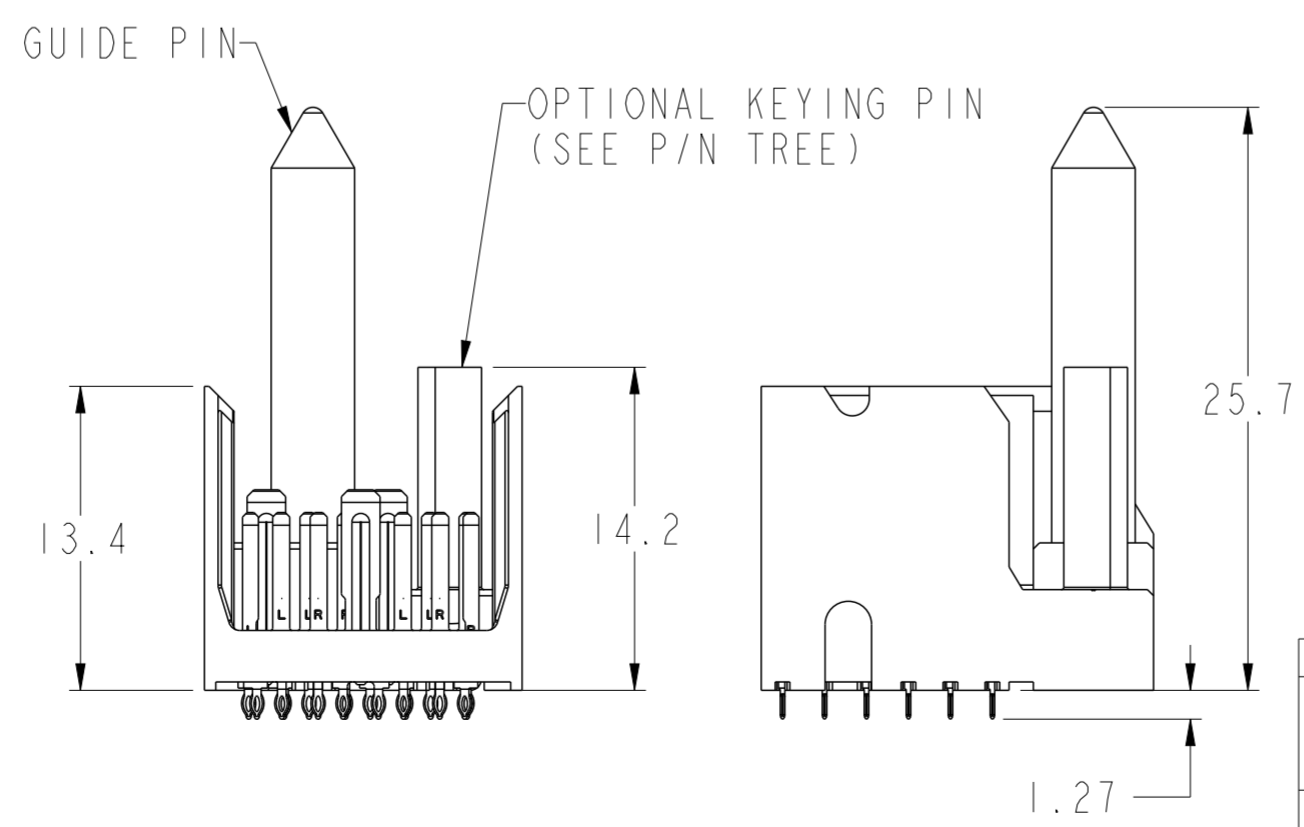
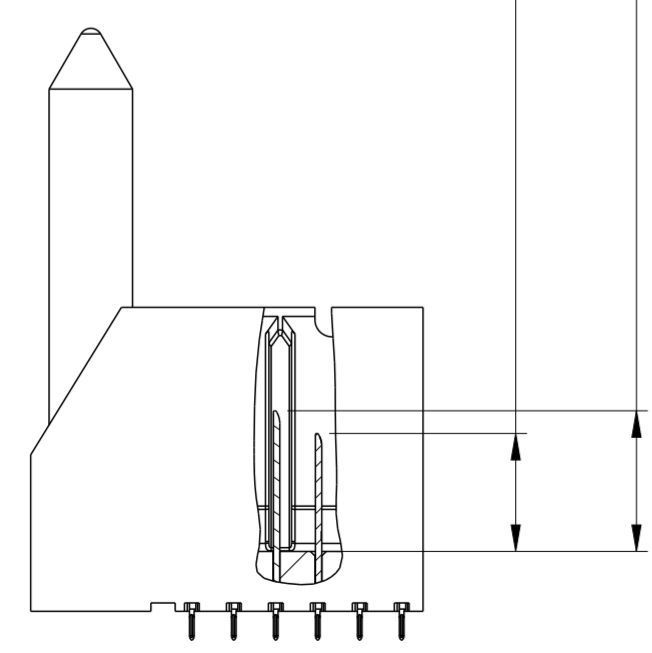
spec ref	SEE NOTES	dr	Kok-Hoe Lee	2010/06/28	projection	MM	size	A2	scale	3:1
tolerance std	TOLERANCES UNLESS OTHERWISE SPECIFIED	eng	Michael Song	2016/06/03			ecn no	ELX-DG-24191-1	rev G	
ASME Y14.5		chr	Heaven Cen	2016/06/08			rel level	Released		
		appr	Pai-Ming Zheng	2016/06/15			product family			
surface	linear	0.X	±0.2	Amphenol FCI	MODULE ASSEMBLY		dwg no	10113947		
		0.XX	±0.10		VERTICAL HEADER, 6-COLUMN, 2-PAIR		cat. no.	SEE P/N TREE		
		0.XXX	±0.050		Product - Customer Drw		sheet 2 of 8			
ASME Y14.5	angular	0°	±°	PDS: Rev :G		STATUS:Released		Printed: Jun 15, 2016		

LEFT POLARIZING/GUIDE MODULE



SCALE 3:1

- 6.2 (4MM WIPE WIDE GROUNDS)
 - 5.2 (3MM WIPE WIDE GROUNDS)
 - 5.2 (3MM SMALL END GROUNDS)
 - 5.2 (3MM WIPE SIGNALS)
 - 4.2 (2MM WIPE SIGNALS)
- (SEE P/N TREE FOR ALL COMBINATIONS AVAILABLE)



\varnothing 0.10	X_BP	Y_BP
--------------------	------	------

SEE NOTE 11 & TABLE 1

SEE DETAIL A (SHEET 8)

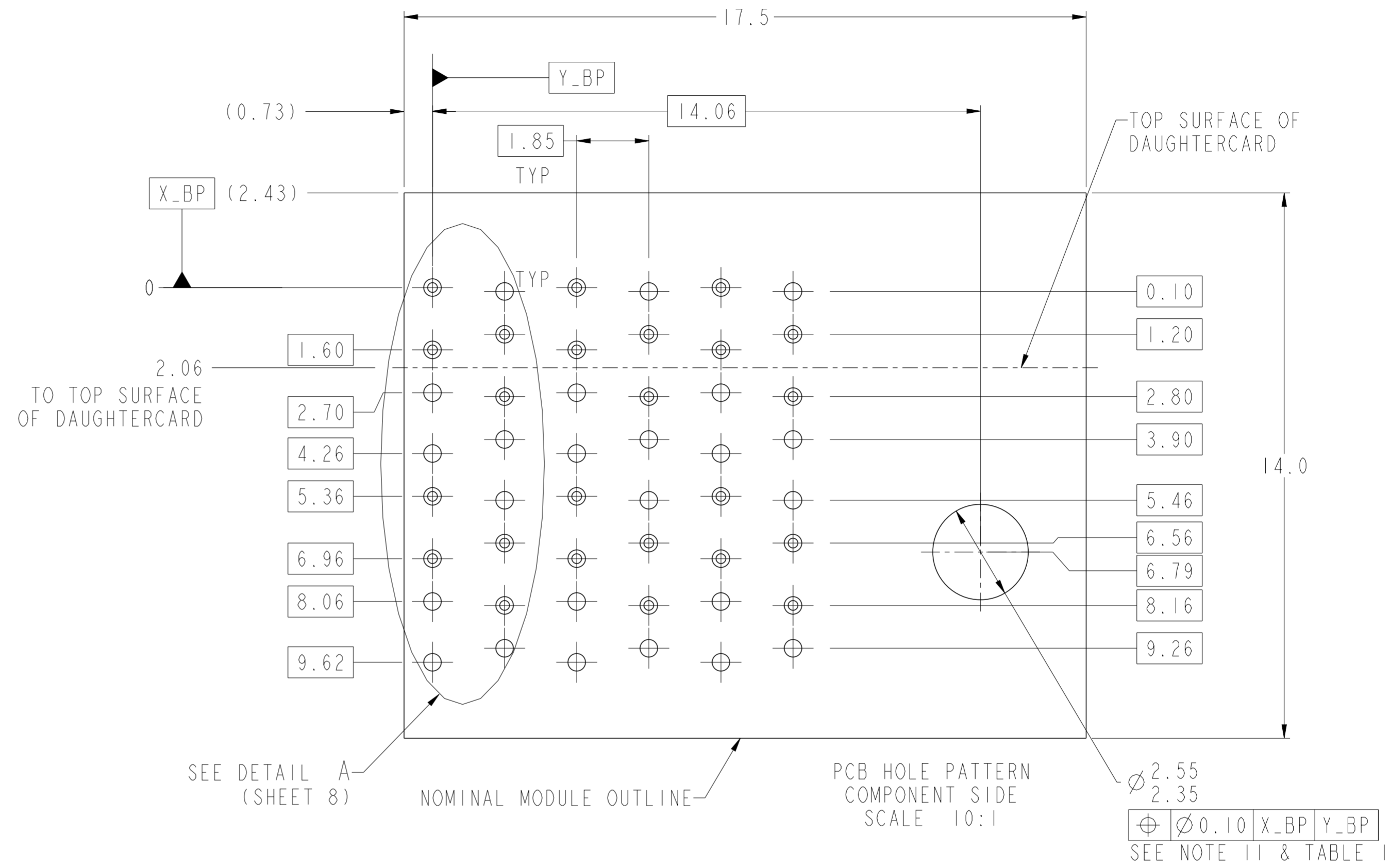
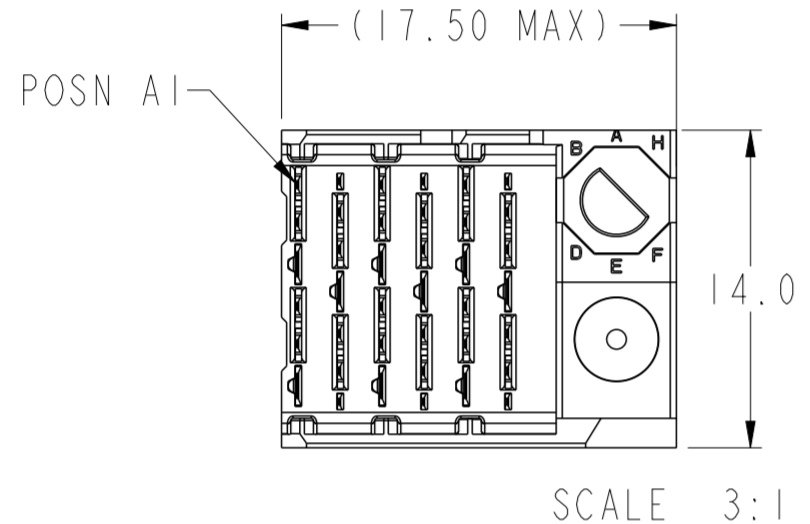
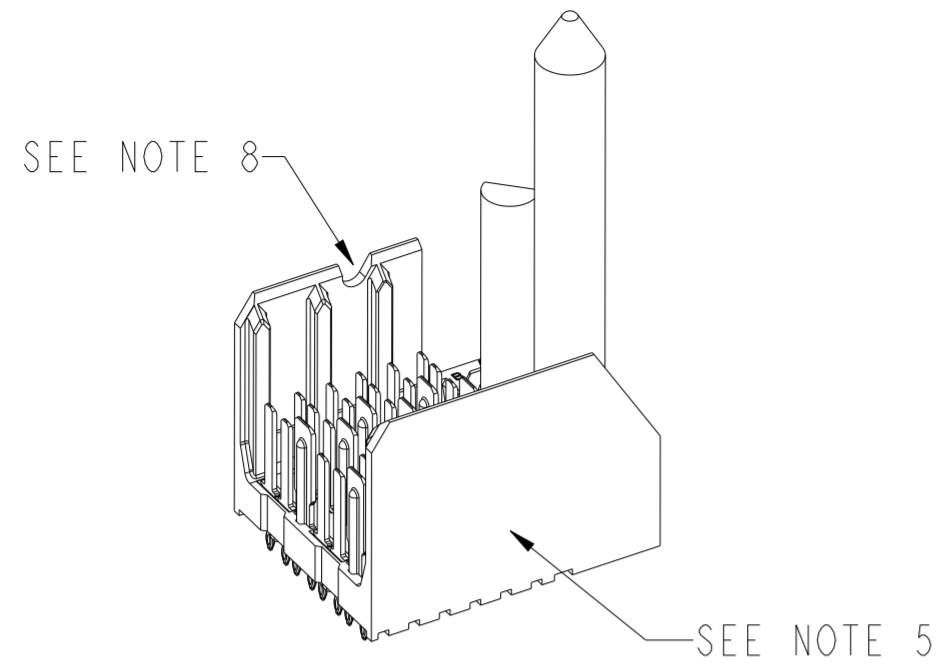
PCB HOLE PATTERN COMPONENT SIDE SCALE 10:1
NOMINAL MODULE OUTLINE

spec ref	SEE NOTES	dr	Kok-Hoe Lee	2010/06/28	projection	MM	size	A2	scale	3:1
tolerance std	ASME Y14.5	eng	Michael Song	2016/06/03	chr	Heaven Cen	2016/06/08	ecn no	ELX-DG-24191-1	
	TOLERANCES UNLESS OTHERWISE SPECIFIED	appr	Pai-Ming Zheng	2016/06/15	product family		rel level	Released		
surface	linear	0.X	±0.2	Amphenol FCI	MODULE ASSEMBLY		cat. no.	SEE P/N TREE	Product - Customer Drw	sheet 3 of 8
		0.XX	±0.10		title	VERTICAL HEADER, 6-COLUMN, 2-PAIR				
	angular	0.XXX	±0.050		0°	±°				
							0°			

Amphenol FCI

© 2016 AFCI

RIGHT POLARIZING/GUIDE MODULE

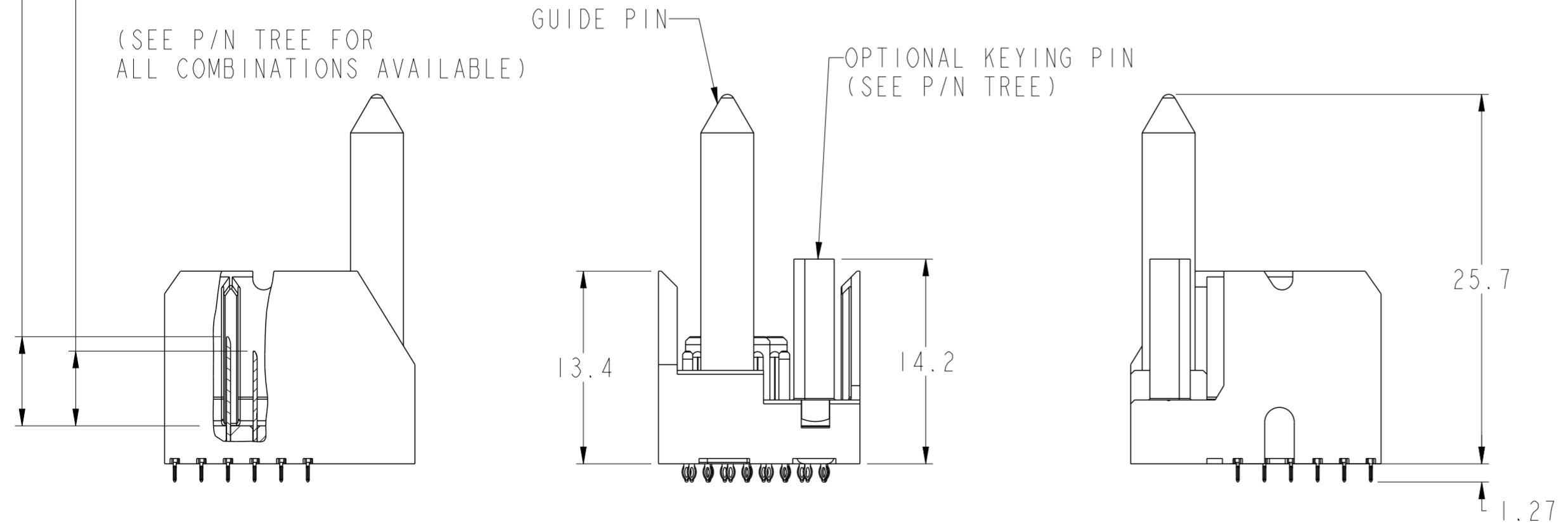


Amphenol FCI

© 2016 AFCI

- 6.2 (4MM WIPE WIDE GROUNDS)
- 5.2 (3MM WIPE WIDE GROUNDS)
- 5.2 (3MM SMALL END GROUNDS)
- 5.2 (3MM WIPE SIGNALS)
- 4.2 (2MM WIPE SIGNALS)

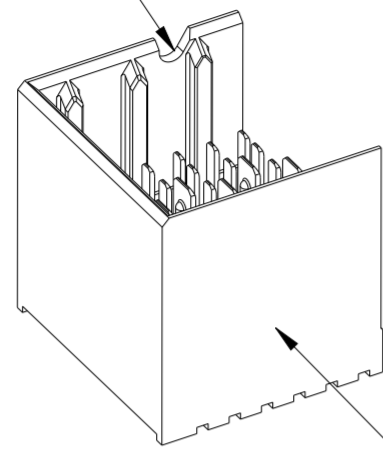
(SEE P/N TREE FOR ALL COMBINATIONS AVAILABLE)



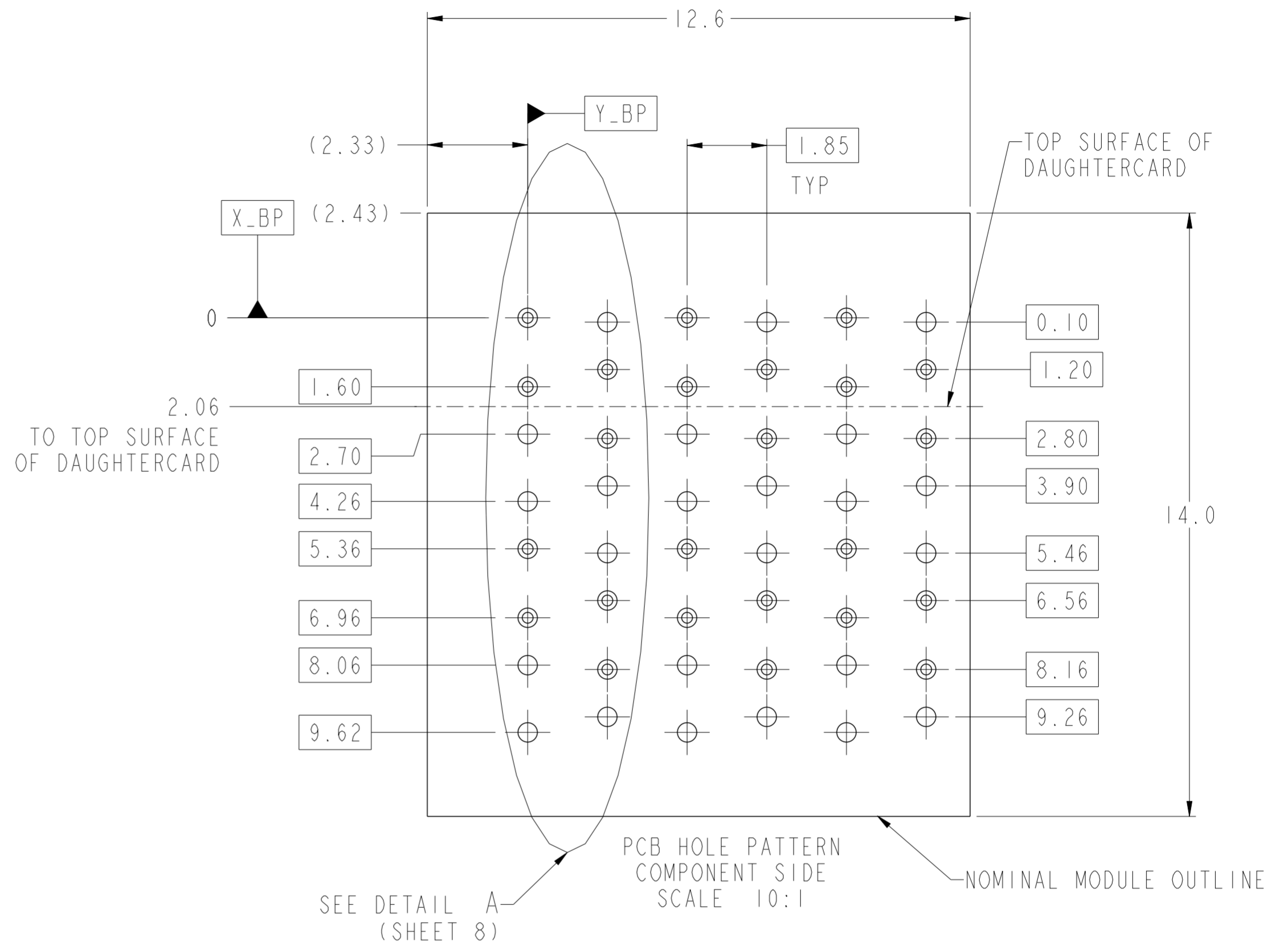
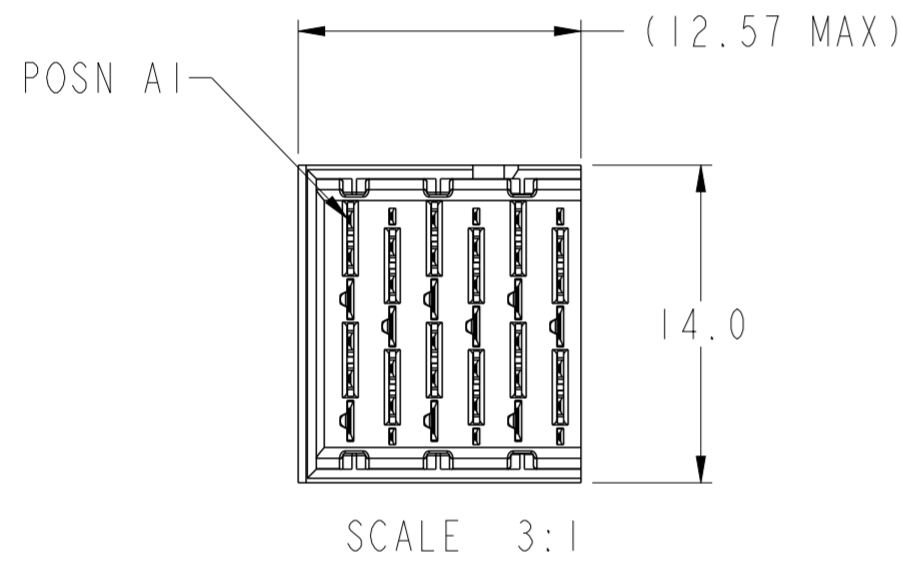
spec ref	SEE NOTES	dr	Kok-Hoe Lee	2010/06/28	projection	MM	size	A2	scale	3:1	
tolerance std	ASME Y14.5	eng	Michael Song	2016/06/03			ecn no	ELX-DG-24191-1			
TOLERANCES UNLESS OTHERWISE SPECIFIED linear: 0.X ±0.2, 0.XX ±0.10, 0.XXX ±0.050 angular: 0° ±°		chr	Heaven Cen				2016/06/08	rel level	Released		
		appr	Pei-Ming Zheng				2016/06/15				
surface: linear, angular ASME Y14.5		Amphenol FCI			MODULE ASSEMBLY VERTICAL HEADER, 6-COLUMN, 2-PAIR			cat. no. SEE P/N TREE	Product - Customer Draw	sheet 4 of 8	

LEFT WALL MODULE

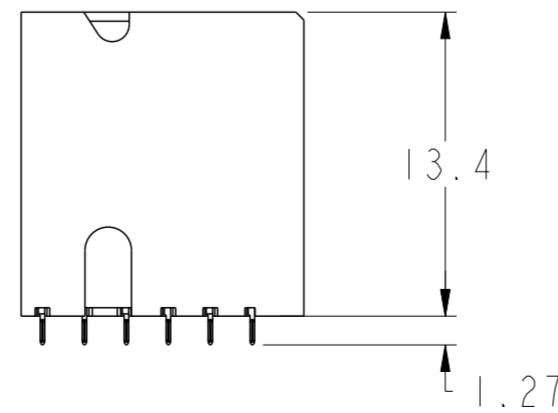
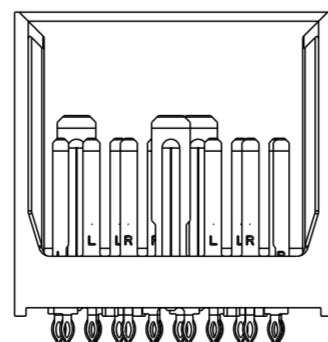
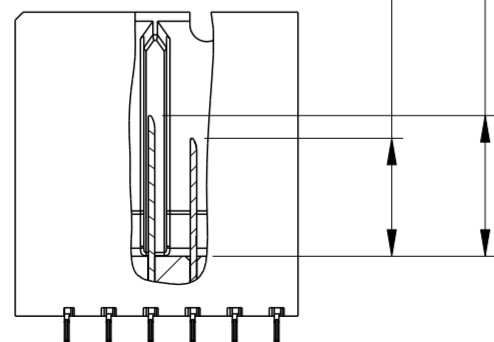
SEE NOTE 8



SEE NOTE 5



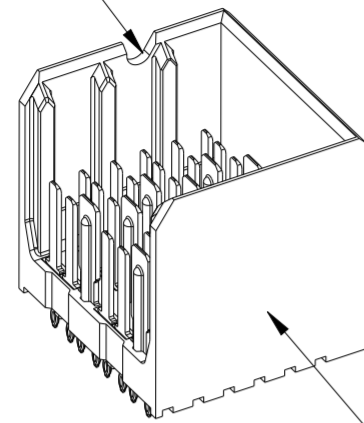
- 6.2 (4MM WIPE WIDE GROUNDS)
 - 5.2 (3MM WIPE WIDE GROUNDS)
 - 5.2 (3MM SMALL END GROUNDS)
 - 5.2 (3MM WIPE SIGNALS)
 - 4.2 (2MM WIPE SIGNALS)
- (SEE P/N TREE FOR ALL COMBINATIONS AVAILABLE)



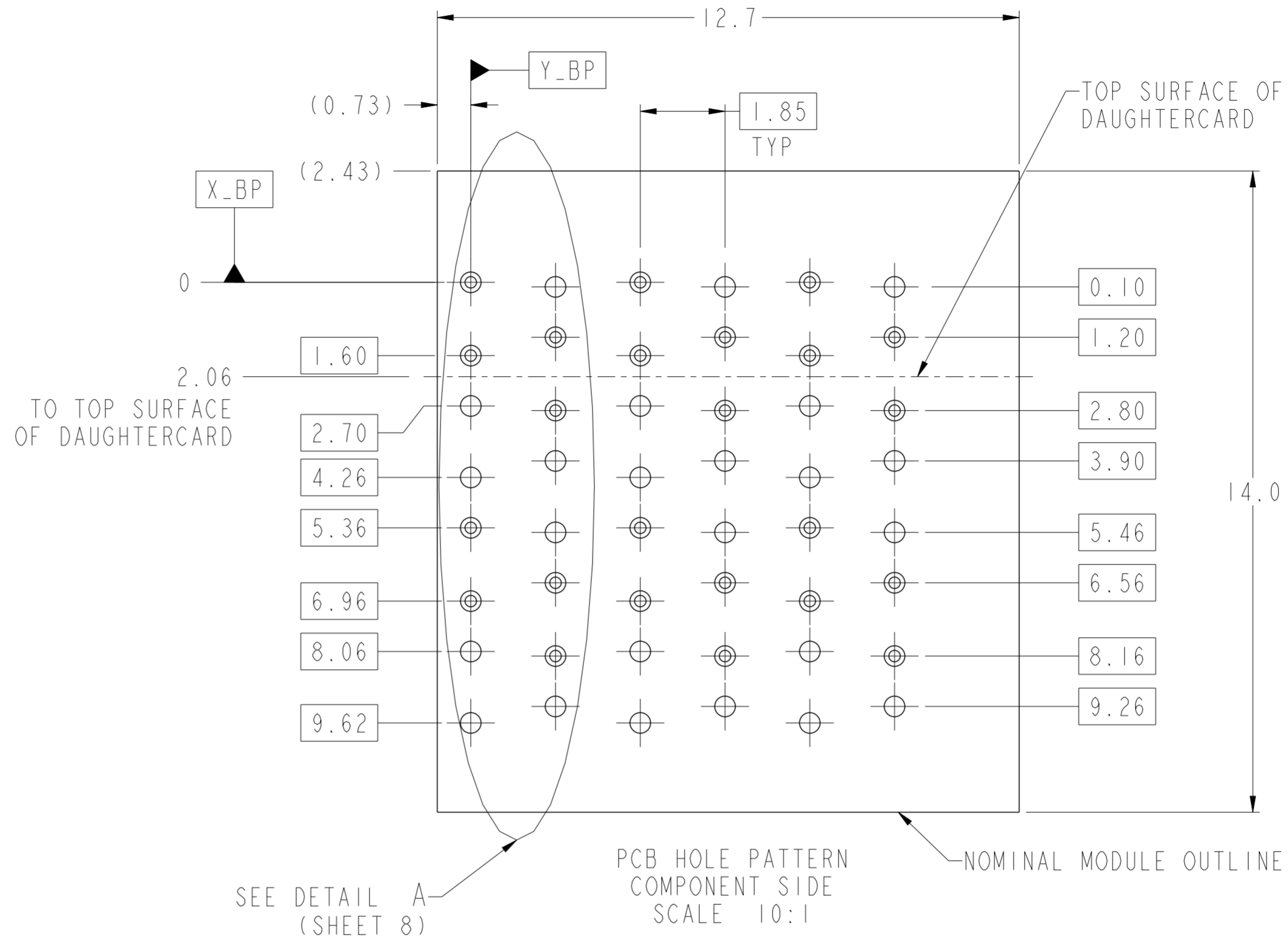
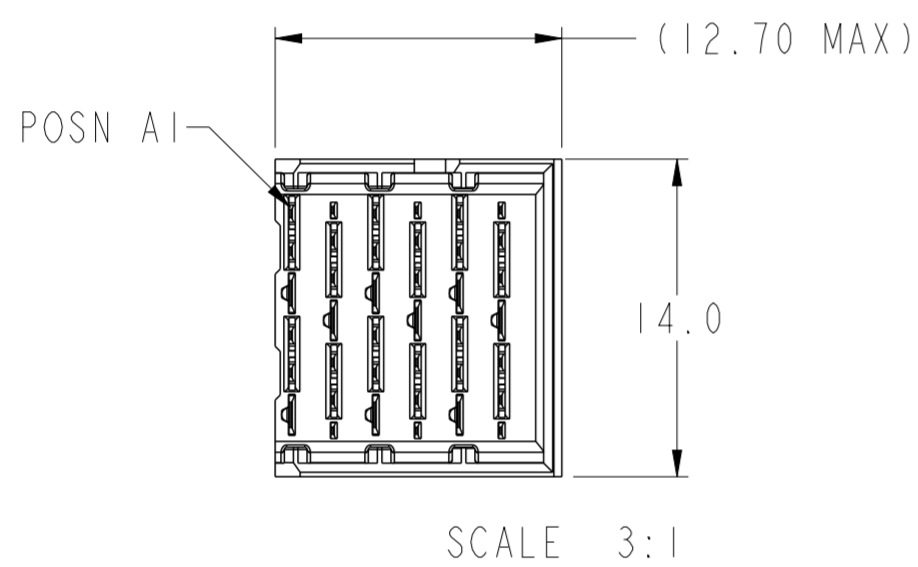
spec ref	SEE NOTES	dr	Kok-Hoe Lee	2010/06/28	projection	MM	size	A2	scale	7:1
tolerance std	ASME Y14.5	eng	Michael Song	2016/06/03			ecn no	ELX-DG-24191-1		
TOLERANCES UNLESS OTHERWISE SPECIFIED		chr	Heaven Cen	2016/06/08			rel level	Released		
surface	linear	0.X	±0.2	0.XX			±0.10	0.XXX	±0.050	cat. no.
	angular	0°	±°			product family	MODULE ASSEMBLY VERTICAL HEADER, 6-COLUMN, 2-PAIR		dwg no 10113947	rev G

RIGHT WALL MODULE

SEE NOTE 8

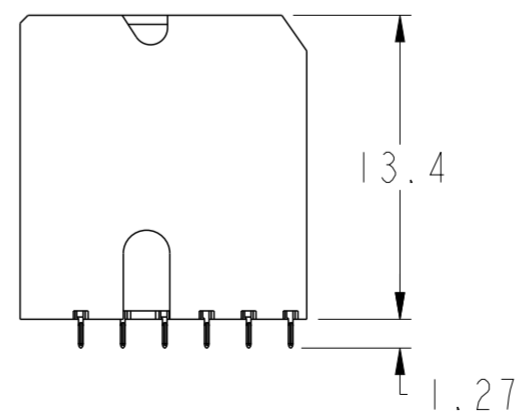
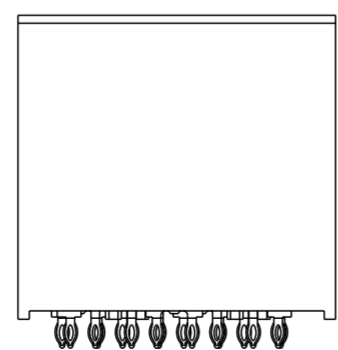
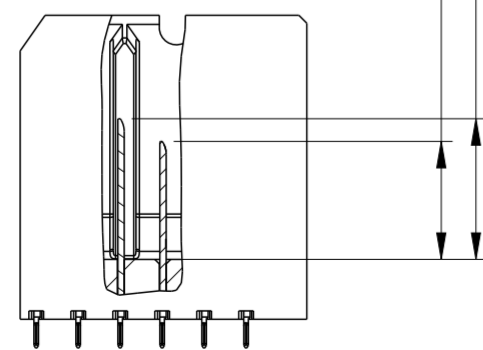


SEE NOTE 5



- 6.2 (4MM WIPE WIDE GROUNDS)
- 5.2 (3MM WIPE WIDE GROUNDS)
- 5.2 (3MM SMALL END GROUNDS)
- 5.2 (3MM WIPE SIGNALS)
- 4.2 (2MM WIPE SIGNALS)

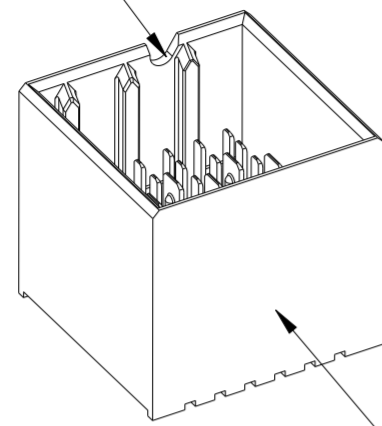
(SEE P/N TREE FOR ALL COMBINATIONS AVAILABLE)



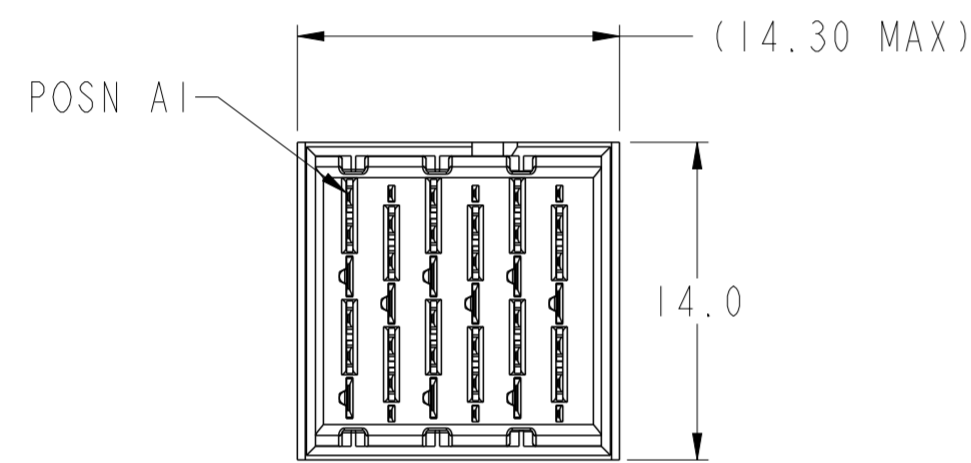
spec ref	SEE NOTES	dr	Kok-Hoe Lee	2010/06/28	projection	MM	size	A2	scale	7:1
tolerance std	ASME Y14.5	eng	Michael Song	2016/06/03			ecn no	ELX-DG-24191-1		
TOLERANCES UNLESS OTHERWISE SPECIFIED		chr	Heaven Cen	2016/06/08			rel level	Released		
surface	linear	0.X	±0.2		product family					
ASME Y14.5	angular	0.XX	±0.10		Amphenol FCI	cat. no.	SEE P/N TREE	Product - Customer	Drw	sheet 6 of 8
		0.XXX	±0.050			title	MODULE ASSEMBLY		dwg no	10113947
		0°	±°				rev	G		

FOUR WALL MODULE

SEE NOTE 8



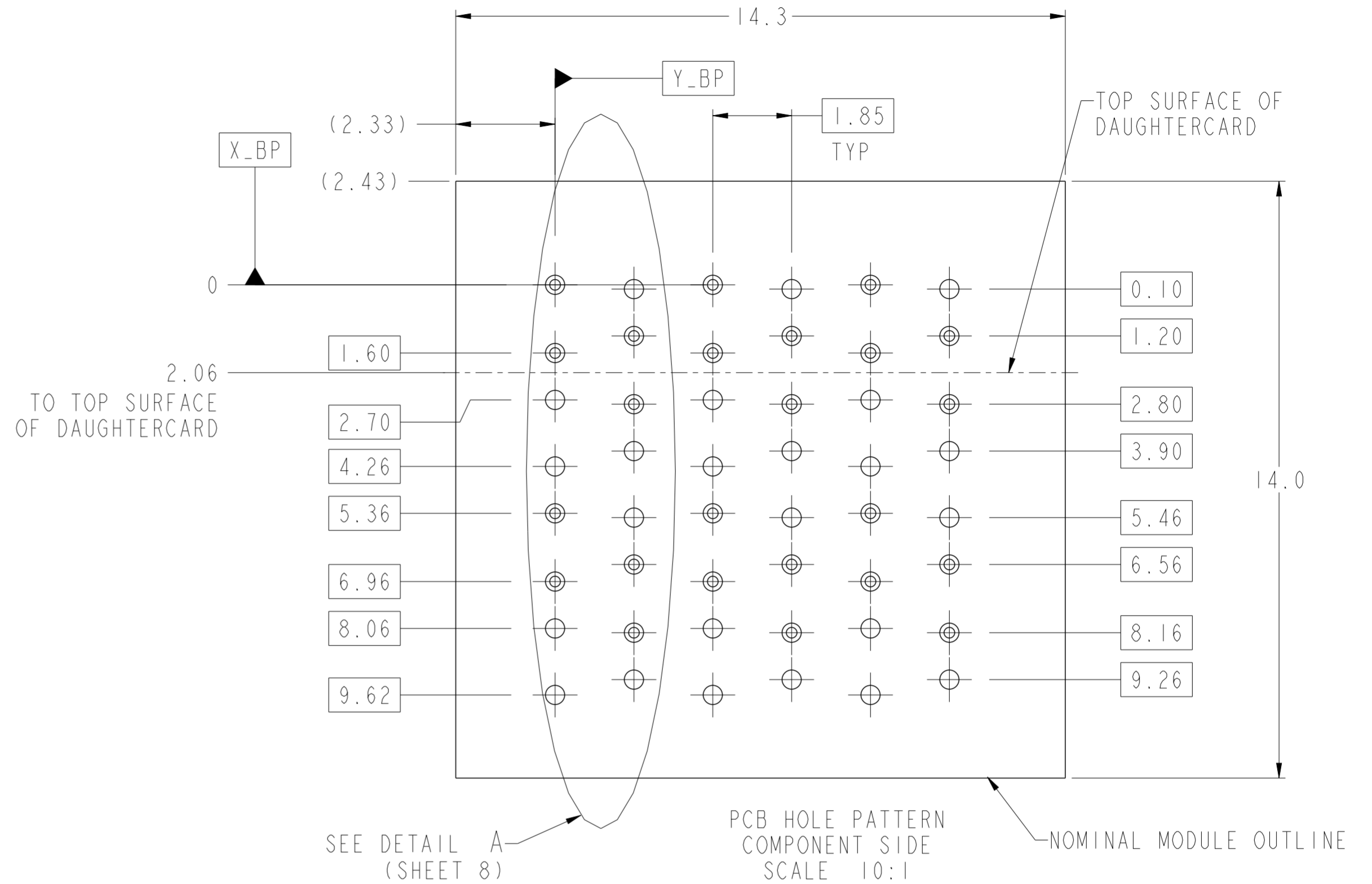
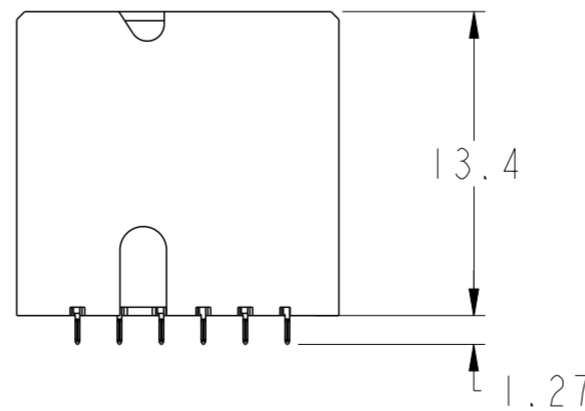
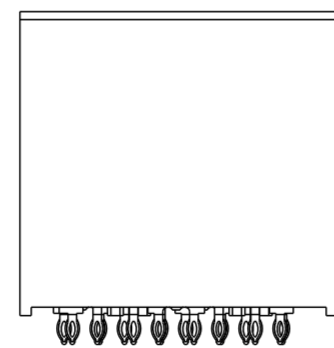
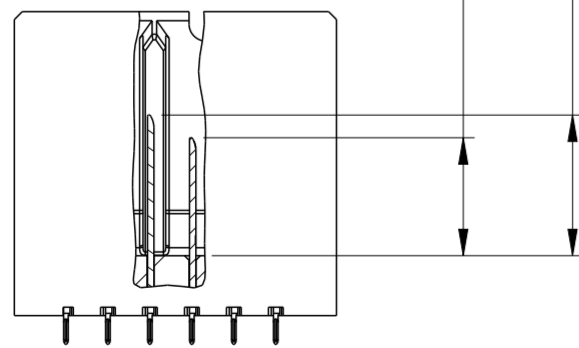
SEE NOTE 5



SCALE 3:1

- 6.2 (4MM WIPE WIDE GROUNDS)
- 5.2 (3MM WIPE WIDE GROUNDS)
- 5.2 (3MM SMALL END GROUNDS)
- 5.2 (3MM WIPE SIGNALS)
- 4.2 (2MM WIPE SIGNALS)

(SEE P/N TREE FOR ALL COMBINATIONS AVAILABLE)



SEE DETAIL A (SHEET 8)

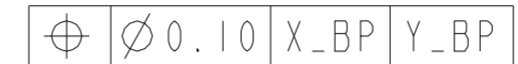
PCB HOLE PATTERN COMPONENT SIDE SCALE 10:1

NOMINAL MODULE OUTLINE

spec ref	SEE NOTES	dr	Kok-Hoe Lee	2010/06/28	projection	MM	size	A2	scale	6:1
tolerance std	TOLERANCES UNLESS OTHERWISE SPECIFIED	eng	Michael Song	2016/06/03			ecn no	ELX-DG-24191-1	rel level	Released
ASME Y14.5		chr	Heaven Cen	2016/06/08						
		appr	Pai-Ming Zheng	2016/06/15						
surface	linear	0.X	±0.2		product family		title MODULE ASSEMBLY VERTICAL HEADER, 6-COLUMN, 2-PAIR	dwg no 10113947	rev G	
		0.XX	±0.10		SEE P/N TREE					Product - Customer Drw
ASME Y14.5	angular	0°	±°		sheet 7 of 8					

TABLE 3: PTH AND PAD SIZES WITH REFERENCE TO COMPLIANT PIN DRILL		
COMPLIANT PIN DRILL	PTH	PAD
Ø0.55 [0.0217"]	Ø0.45±0.05	Ø0.85
Ø0.45 [0.0177"]	Ø0.36±0.05	Ø0.75

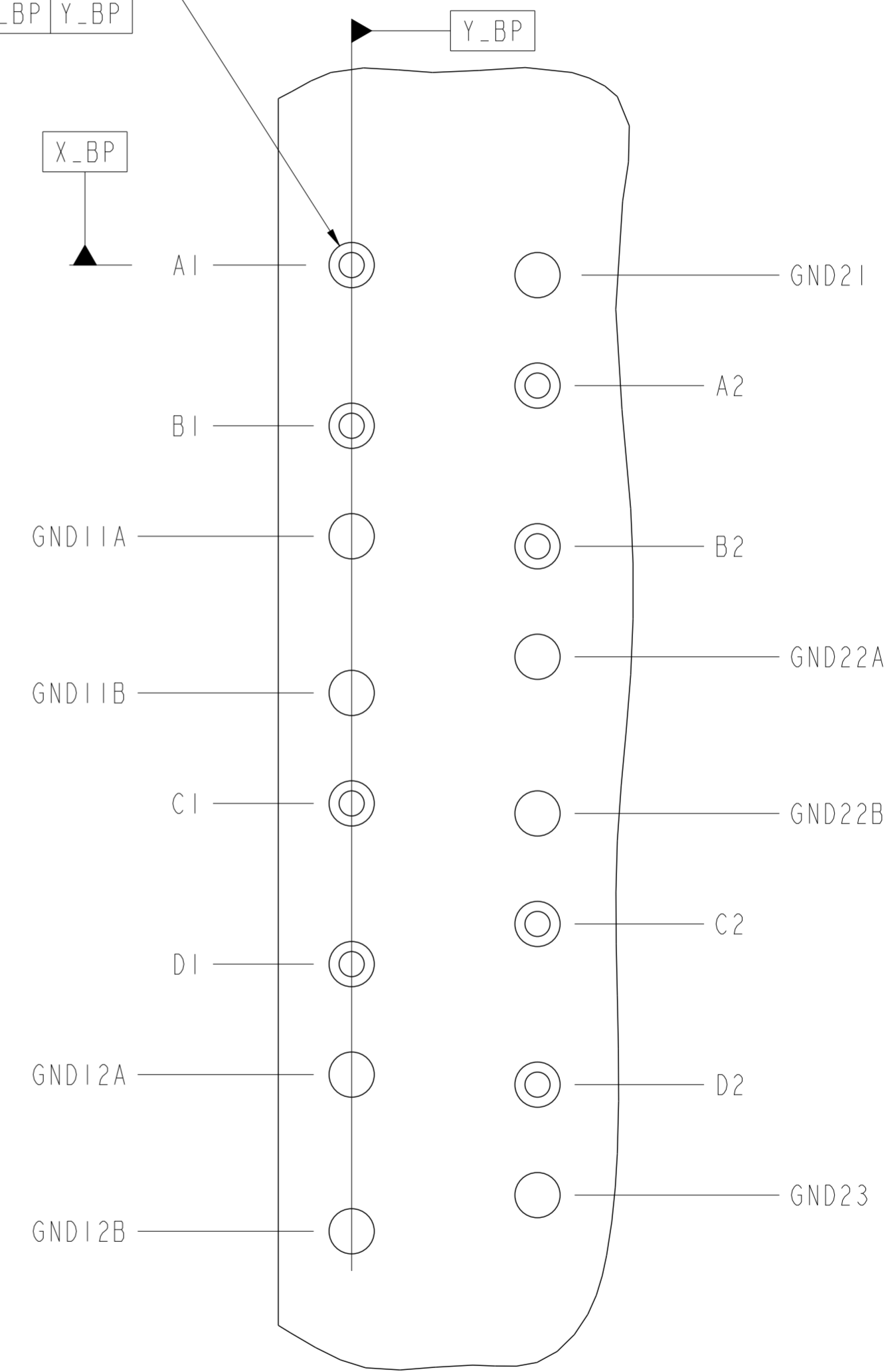
REFER TO TABLE 3 FOR PTH, DRILL & PAD SIZES



- NOTES:
- CONNECTOR MATERIALS
SHROUD: HIGH-TEMP THERMOPLASTIC, GRAY, UL94V-0
CONTACTS: HIGH PERFORMANCE COPPER ALLOY
 - CONTACT PLATING:

SEPARABLE INTERFACE: PERFORMANCE-BASED PLATING, QUALIFIED TO MEET THE REQUIREMENTS OF FCI PRODUCT SPECIFICATION GS-12-588, INCLUDING TELCORDIA GR-1217-CORE (NOVEMBER 1995) CENTRAL OFFICE TEST (CO) OR UNCONTROLLED ENVIRONMENT TEST SEQUENCE AS NOTED IN P/N TREE.

PRESS-FIT TAILS: TIN OVER NICKEL, OR TIN-LEAD ALLOY OVER NICKEL. SEE P/N TREE.
 - PRODUCT SPECIFICATION: GS-12-588
 - APPLICATION SPECIFICATION: GS-20-121
 - PRODUCT MARKING (PART NUMBER AND LOT CODE) ON THESE SURFACES.
 - HOUSING MUST WITHSTAND EXPOSURE TO 260°C PEAK TEMPERATURE FOR 40 SECONDS IN A CONVECTION, INFRA-RED, OR VAPOR-PHASE REFLOW OVEN.
 - PACKAGING MEETS GS-14-920 LEAD-FREE LABELING SPECIFICATION.
 - NOTCH INDICATES "ROW A" SIDE OF CONNECTOR.
 - SEE APPLICATION SPECIFICATION FOR ROUTING GUIDELINES, ADDITIONAL PTH GUIDELINES, MATED DIMENSIONS, GUIDE PN SELECTION, ETC.
 - SCREW IS OPTIONAL AND ENGAGES WITH BOTTOM OF GUIDE-PIN FROM BENEATH THE PCB FOR ADDITIONAL GUIDE-PIN SUPPORT.
 - OPTIONAL HOLE LOCATION FOR GROUNDED PIN OR ADDITIONAL GUIDE-PIN SUPPORT. SEE TABLE 1 ON SHEET 1 FOR ADDITIONAL DETAILS.



DETAIL A
SCALE 20:1

spec ref	SEE NOTES	dr	Kok-Hoe Lee	2010/06/28	projection	MM	size	A2	scale	3:1
tolerance std	TOLERANCES UNLESS OTHERWISE SPECIFIED	eng	Michael Song	2016/06/03			ecn no	ELX-DG-24191-1	rel level Released	
ASME Y14.5		chr	Heaven Cen	2016/06/08			product family			
		appr	Pai-Ming Zheng	2016/06/15						
surface	linear	0.X	±0.2	Amphenol FCI	MODULE ASSEMBLY VERTICAL HEADER, 6-COLUMN, 2-PAIR		cat. no.	SEE P/N TREE	Product - Customer Drw	sheet 8 of 8
		0.XX	±0.10		diag no	10113947	rev	G		
ASME Y14.5	angular	0°	±°							

PDS: Rev :G

STATUS:Released

Printed: Jun 15, 2016

Amphenol FCI

© 2016 AFCI

Mouser Electronics

Authorized Distributor

Click to View Pricing, Inventory, Delivery & Lifecycle Information:

[FCI / Amphenol:](#)

[10113947-00C-10B](#) [10113947-00C-20B](#) [10113947-00C-30B](#) [10113947-00C-40B](#) [10113947-00C-50B](#) [10113947-00C-50DLF](#) [10113947-00C-60B](#) [10113947-00C-60DLF](#) [10113947-00C-70B](#) [10113947-00C-70DLF](#) [10113947-00C-80B](#) [10113947-00C-80DLF](#) [10113947-10C-10B](#) [10113947-10C-20B](#) [10113947-10C-30B](#) [10113947-10C-40B](#) [10113947-10C-50B](#) [10113947-10C-50DLF](#) [10113947-10C-60B](#) [10113947-10C-60DLF](#) [10113947-10C-70B](#) [10113947-10C-70DLF](#) [10113947-10C-80B](#) [10113947-10C-80DLF](#) [10113947-A0C-10B](#) [10113947-A0C-20B](#) [10113947-A0C-30B](#) [10113947-A0C-40B](#) [10113947-A0C-50B](#) [10113947-A0C-50DLF](#) [10113947-A0C-60B](#) [10113947-A0C-60DLF](#) [10113947-A0C-70B](#) [10113947-A0C-70DLF](#) [10113947-A0C-80B](#) [10113947-A0C-80DLF](#) [10113947-B0C-10B](#) [10113947-B0C-20B](#) [10113947-B0C-30B](#) [10113947-B0C-40B](#) [10113947-B0C-50B](#) [10113947-B0C-50DLF](#) [10113947-B0C-60B](#) [10113947-B0C-60DLF](#) [10113947-B0C-70B](#) [10113947-B0C-70DLF](#) [10113947-B0C-80B](#) [10113947-B0C-80DLF](#) [10113947-C0C-10B](#) [10113947-C0C-20B](#) [10113947-C0C-30B](#) [10113947-C0C-40B](#) [10113947-C0C-50B](#) [10113947-C0C-50DLF](#) [10113947-C0C-60B](#) [10113947-C0C-60DLF](#) [10113947-C0C-70B](#) [10113947-C0C-70DLF](#) [10113947-C0C-80B](#) [10113947-C0C-80DLF](#) [10113947-D0C-10B](#) [10113947-D0C-20B](#) [10113947-D0C-30B](#) [10113947-D0C-40B](#) [10113947-D0C-50B](#) [10113947-D0C-50DLF](#) [10113947-D0C-60B](#) [10113947-D0C-60DLF](#) [10113947-D0C-70B](#) [10113947-D0C-70DLF](#) [10113947-D0C-80B](#) [10113947-D0C-80DLF](#) [10113947-E0C-10B](#) [10113947-E0C-20B](#) [10113947-E0C-30B](#) [10113947-E0C-40B](#) [10113947-E0C-50B](#) [10113947-E0C-50DLF](#) [10113947-E0C-60B](#) [10113947-E0C-60DLF](#) [10113947-E0C-70B](#) [10113947-E0C-70DLF](#) [10113947-E0C-80B](#) [10113947-E0C-80DLF](#) [10113947-F0C-10B](#) [10113947-F0C-20B](#) [10113947-F0C-30B](#) [10113947-F0C-40B](#) [10113947-F0C-50B](#) [10113947-F0C-50DLF](#) [10113947-F0C-60B](#) [10113947-F0C-60DLF](#) [10113947-F0C-70B](#) [10113947-F0C-70DLF](#) [10113947-F0C-80B](#) [10113947-F0C-80DLF](#) [10113947-G0C-10B](#) [10113947-G0C-20B](#) [10113947-G0C-30B](#) [10113947-G0C-40B](#)