

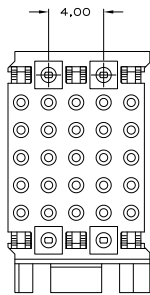
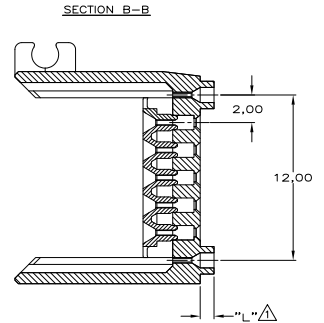
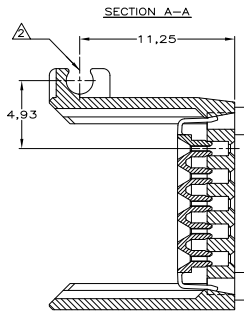
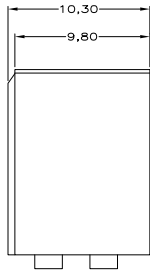
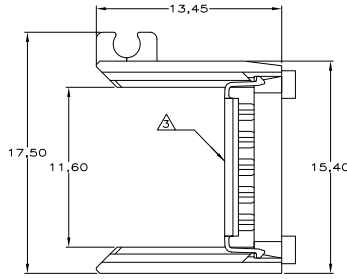
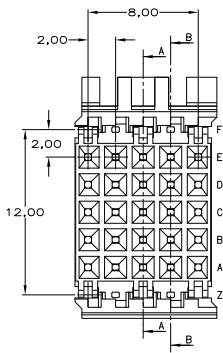
DO NOT SCALE
DIMENSIONS IN mm

METRIC

THIRD ANGLE
PROJECTION

B1 REVISED PER ECO-09-020689

02SEP09 KK AEG



NOTES:

- △ FOR LENGTH "L" AND PARTNUMBER SEE TABLE 1
- △ FITS SNAP LATCH P.N. 620729-1
- △ SHROUD PRE-LOADED WITH RETENTION INSERT
- 4 106961-6 AS SHOWN
- △ MATERIAL HOUSING ; GLASFILLED POLYESTER
- △ MATERIAL RET.INSERT; GLASFILLED POLYESTER
- △ OBSOLETE PARTS: OBSOLETE CIS STREAMLINING PER D.RENAUD/D.SINISI

△
OBSOLETE

TABLE 1	
PARTNUMBER	LENGTH "L"
106961-1	0,00mm
-2	0,20mm
-3	0,40mm
-4	0,60mm
-5	0,80mm
-6	1,00mm

CUSTOMER DRAWING

FOR REFERENCE ONLY
WILL NOT BE UPDATED

DR. W. VAN DER HEIJDEN 01-03-94
CHK. J. BROEKSTEEG
APP. DATE

FINISH	MATERIAL	PARTNUMBER
-	△	△
AMP		
AMP-HOLLAND B.V. 's-Hertogenbosch, The Netherlands.		
THIS DRAWING IS UNPUBLISHED RELEASED FOR PUBLICATION		
© COPYRIGHT 19- BY AMP-HOLLAND B.V. ALL INTERNATIONAL RIGHTS RESERVED. AMP PRODUCTS MAY BE COVERED BY U.S. AND FOREIGN PATENTS AND/OR PATENTS PENDING.		
WIRE RANGE	NAME	REV. DATE
-	Z-PACK 2mm HM	D M Y
INSUL. RANGE	5X7 POS. MALE SHROUD FOR CABLE CONNECTOR	0 106 95
SIZE	SHEET	DWG. No.
A2	1 OF 1	C-106961
		REV. LTR.
		B1

11 | 10 | 9 | 8 | 7 | 6 | 5 | 4 | 3 | 2 | 1