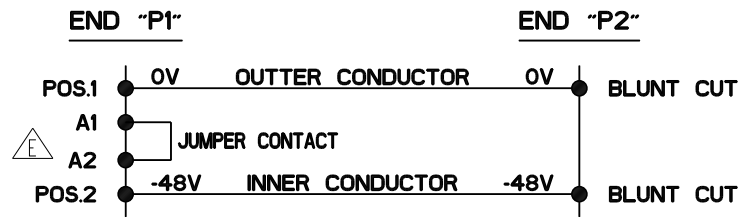
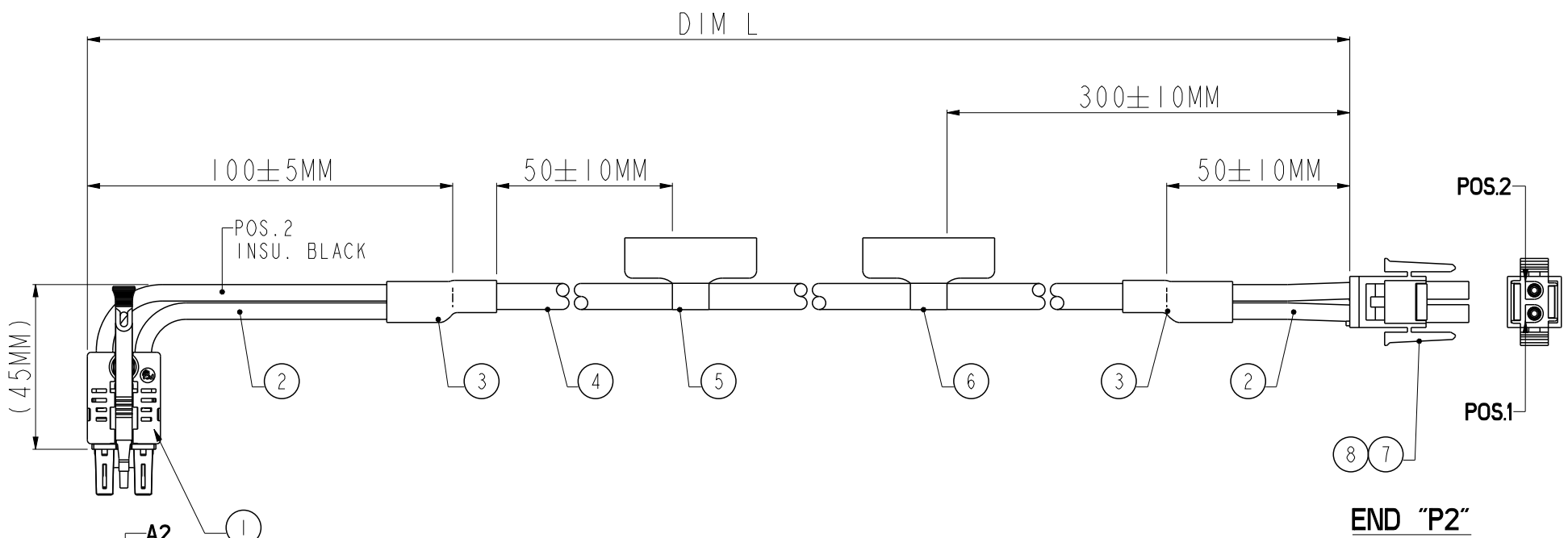




Copyright FCI.



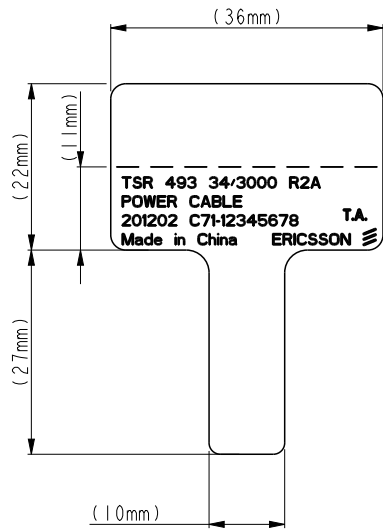
WIRING DIAGRAM

spec ref		dr	Delhy Liu	2010/09/27	projection 	MM ←→	size	A4	scale	0.600	
tolerance std		eng	Clark Li	2012/04/17			ecn no	ELX-N-011325-1			
X	TOLERANCES UNLESS OTHERWISE SPECIFIED	chr	Gene Guo	2012/04/19				rel level	Released		
X		surface	linear	0.X	±	product family	C&A		rev	E	
			0.XX	±	title		PwrProfile+ to Mate-N-Lok C&A				
			0.XXX	±			cat. no.	214F-PwrProfile+ Cable Assembly			
		angular	0°	±	Product - Customer Drw			sheet 1 of -			
www.fci.com		www.fci.com		cat. no.		-		Product - Customer Drw		sheet 1 of -	

PrdE File - REV C - 2009-06-09

PRODUCT NUMBER

SEE TABLE 1



LABEL PRINT EXAMPLE
SEE NOTE 5

P/N AND DIMENSION TABLE 1 (SEE NOTE 3)

No.	FCI P/N	CUSTOMER P/N	R-STATE	DIM L	TOLERANCE
1	10093606-40300YYLF	TSR 493 34/3000	R2A	3 METER	+30/-0 MM
2	10093606-40600YYLF	TSR 493 34/6000	R2A	6 METER	±60 MM

8	MATE-N-LOK TERMINAL	EA	2
7	MATE-N-LOK RECEPT. 2P HOUSING	EA	1
6	LABEL WITH PRINTING	EA	1 SEE NOTE 4
5	LABEL WITH PRINTING	EA	1
4	POWER CABLE REF P/N TFL252 106/8	M	AR
3	H.S.T W/ADHESIVE OD:9.5MM 3:1 BLACK	M	AR
2	SHRINK SLEEVE OD:9.0MM 3:1 GREY	M	AR
1	PWR PROFILE+ CC CONNECTOR KITS	EA	1
No.	DESCRIPTION	UNIT	Q'TY

spec ref	dr	Delhy Liu	2010/09/27	projection	MM	size	A4	scale	0.600
tolerance std	eng	Clark Li	2012/04/17		←→	ecn no	ELX-N-011325-1		
X X	chr	Gene Guo	2012/04/19				rel level	Released	
surface	appr	Johnson Long	2012/04/19	product family	C&A		rev	E	
linear			title	PwrProfile+ to Mate-N-Lok C&A		dwg no	10093606		
angular	www.fci.com		cat. no.	Product - Customer Drw		sheet 2 of 3			
0.X ±									
0.XX ±									
0.XXX ±									
0° ±°									

PRODUCT NUMBER

SEE TABLE I

NOTES CONTINUED:

NOTES:

- END "P1" MATES WITH FCI HEADER PART NUMBER: 10089872-101LF
END "P2" MATES WITH FCI HEADER PART NUMBER: N/A
- UNLESS OTHERWISE SPECIFIED ASSEMBLED LENGTH TOLERANCE =
< 1 METER: +10.0mm / -0
1 METER TO 4 METER: +1% / -0 OF ALL LENGTHS
> 4 METER: ±1% OF ALL LENGTHS
- PART NUMBER DESCRIPTION:

BASE NUMBER

DASH NUMBER

1 0 0 9 3 6 0 6 - 4 0 X 0 0 Y Y LF

LEAD FREE (SEE NOTE 9)

SPECIAL FEATURES

Y NO APPLICABLE TO THIS ASSEMBLY

HARDWARE TYPE

Y NO HARDWARE REQUIRED

LENGTH (DIM L)
 XXXX: XX METERS, XX CENTIMETERS
 0300: 03 METERS, 00 CENTIMETERS
 0600: 06 METERS, 00 CENTIMETERS

WIRE SIZE (MM ²)
4 6.00 MM ²

5. LABELING SHALL BE CONTAIN:

- ERICSSON P/N AND REV
- DESCRIPTION ("POWER CABLE"), T.A. (T.A. STANDS FOR TEST APPROVED), PLACED IN RIGHT MARGIN
- MANUFACTURING WEEK, BATCH INCLUDING FACTORY CODE
- COUNTRY OF ORIGIN, ERICSSON LOGO (RIGHT MARGIN)

FONT SHALL BE CLEARLY VISABLE AND BLACK IN COLOR.

6. ALL CABLE ASSEMBLIES SHALL BE TESTED 100% FOR CONTINUITY AS DEFINED IN WIRING LIST.

7. UNLESS OTHERWISE SPECIFIED ALL CABLE ASSEMBLIES SHALL BE 100% HI-POT TESTED BY APPLYING 300V DC FOR MINIMUM OF 10ms, UNLESS ACTIVE COMPONENTS ARE USED IN THIS ASSEMBLY.

8. THIS DIMENSION IS A FINISHED PRODUCT LENGTH.

9. LEAD FREE PRODUCTS MEET EUROPEAN UNION DIRECTIVES AND OTHER COUNTRY REGULATIONS AS DESCRIBED IN GS-22-008.

10. ASSEMBLY SHOWN IS FOR REFERENCE ONLY AND MAY NOT SHOW ALL PART DETAIL. REFERENCE CONNECTOR ASSEMBLY DRAWING FOR COMPLETE DETAILS.

11. CABLES SHALL BE PROTECTED BY ESD PLASTIC BAG, THEN WE NEED TO PASTE A 2D LABEL ON THE BAG (THE CONTENT INCLUDE: E/// P/N AND REV, QUANTITY, BATCH NO., MAN. WEEK, COUNTRY OF ORIGIN, FACTORY CODE, ERICSSON LOGO (RIGHT MARGIN)). PACKAGING SPECIFICATIONS SHALL BE ACCORDING TO GS-14-1340.

12. MATERIALS:
CABLE: UL/IEC RECONIZED, TEMP. RATING 90°C, 300V, COLOR GRAY
HOUSING: PPA, UL94V-0 GLASS FILLED, COLOR: BLACK
POWER CONTACTS: COPPER ALLOY WITH CRIMPING TYPE

13. A "△" SYMBOL WILL BE NEXT TO ANY DIMENSION, VIEW, OR NOTE WHICH HAD BEEN MODIFIED WITH THE CURRENT DRAWING REVISION.

4. LABEL POSITION SHALL BE APPROXIMATELY 50MM FROM REAR OF SHRINK SLEEVING. IF THE CABLE LENGTH IS MORE THAN 3 METER A SECOND IDENTITY LABEL SHALL BE PLACED IN END P2



Copyright FCI.

spec ref		dr Delhy Liu		2010/09/27		projection		MM		size A4		scale 0.600	
tolerance std		eng Clark Li		2012/04/17						ecn no ELX-N-011325-1		rel level Released	
X		chr Gene Guo		2012/04/19									
X		appr Johnson Long		2012/04/19		product family C&A							
surface - ✓		linear		0.X ±				title PwrProfile+ to Mate-N-Lok C&A		dwg no 10093606		rev E	
				0.XX ±									
				0.XXX ±									
X		angular		0° ±°		www.fci.com		cat. no.		Product - Customer Drw		sheet 3 of 3	