

10113947 - X0C - X0XLF

6-COLUMN DIFFERENTIAL SIGNAL

LEAD-FREE DESIGNATION ONLY WITH APPLICABLE PLATING CODES

LETTER	PERFORMANCE-BASED PLATING (SEE NOTE 2)	
	TARGET APPLICATION	LEAD FREE (LF)
B	TELCORDIA CO	NO
C	TELCORDIA UE	NO
D	TELCORDIA CO	YES
E	TELCORDIA UE	YES

NUMBER	PIN STYLE, HEIGHT
0	STANDARD GUIDE PIN MACHINED, 25.7mm

MODULE DESCRIPTION	LETTER DESIGNATION REPRESENTED IN DASH NUMBER										BASE MODULE
	J	A	B	C	D	E	F	G	H		
LEFT POLARIZING GUIDANCE MODULE (SEE SHEET 3)											
RIGHT POLARIZING GUIDANCE MODULE (SEE SHEET 4)											
OPEN MODULE (TWO WALL) (SEE SHEET 2)	0 (ZERO)										
LEFT WALL MODULE (SEE SHEET 5)	L										
RIGHT WALL MODULE (SEE SHEET 6)	M										
FOUR WALL MODULE (SEE SHEET 7)	1										

NUMBER	CONTACT MATING WIPE LENGTH		COMPLIANT PIN DRILL SIZE
	SIGNAL	WIDE GROUND	
1	2	4	Ø0.55 [0.0217"]
2	3	4	Ø0.55 [0.0217"]
3	2	4	Ø0.45 [0.0177"]
4	3	4	Ø0.45 [0.0177"]
5	2	3	Ø0.55 [0.0217"]
6	3	3	Ø0.55 [0.0217"]
7	2	3	Ø0.45 [0.0177"]
8	3	3	Ø0.45 [0.0177"]

	GROUNDED	UNGROUNDED
FINISHED	Ø2.35-2.55	Ø2.35-2.55
PAD	Ø5.50	N/A
PLATED	YES	NO
DRILL (mm/in)	2.58 / .1015	2.44 / .096

SCREW P/N	DESCRIPTION	BOARD THICKNESS
10091790-002LF	#2-56 X .375" PHILLIPS PANHEAD W/SQ CONICAL WASHER	1.60 - 5.00
10091790-003LF	#2-56 X .500" PHILLIPS PANHEAD W/SQ CONICAL WASHER	5.00 - 10.00

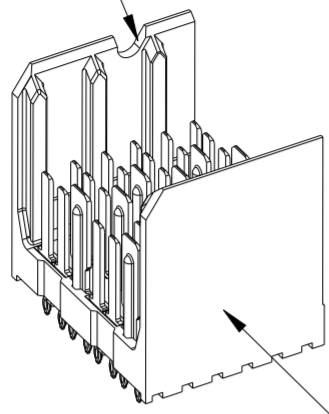
spec ref	SEE NOTES	dr	Kok-Hoe Lee	2010/06/28	projection	MM	size	A2	scale	3:1
tolerance std	ASME Y14.5	eng	Michael Song	2016/06/03	chr	Heaven Cen	ecn no	ELX-DG-24191-1	rel level	Released
surface	linear	appr	Pai-Ming Zheng	2016/06/15	product family		cat. no.	SEE P/N TREE	Product - Customer Drw	sheet 1 of 8
ASME Y14.5	angular	0°	±°	Amphenol FCI	MODULE ASSEMBLY	10113947	rev	G		

Amphenol FCI

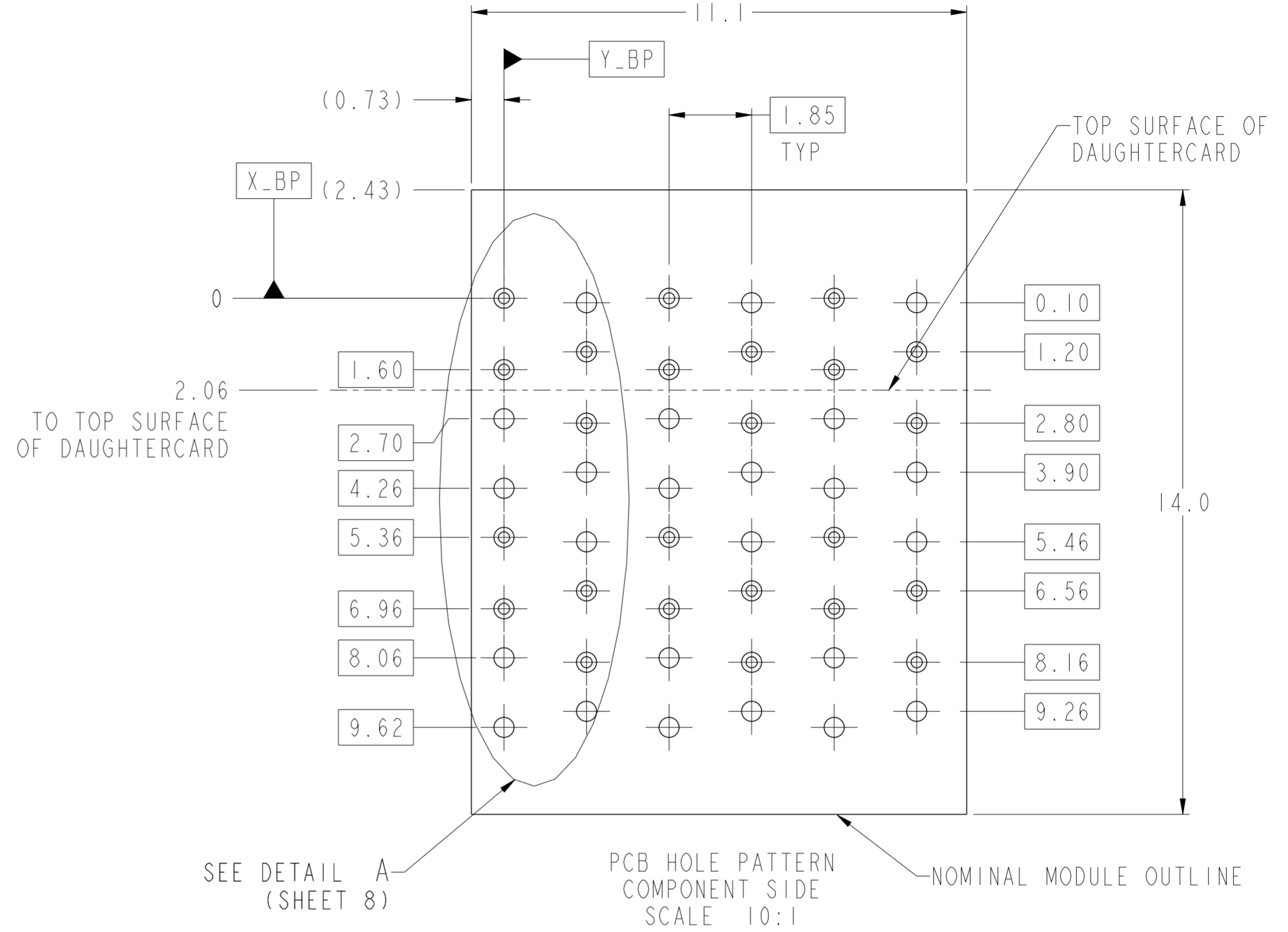
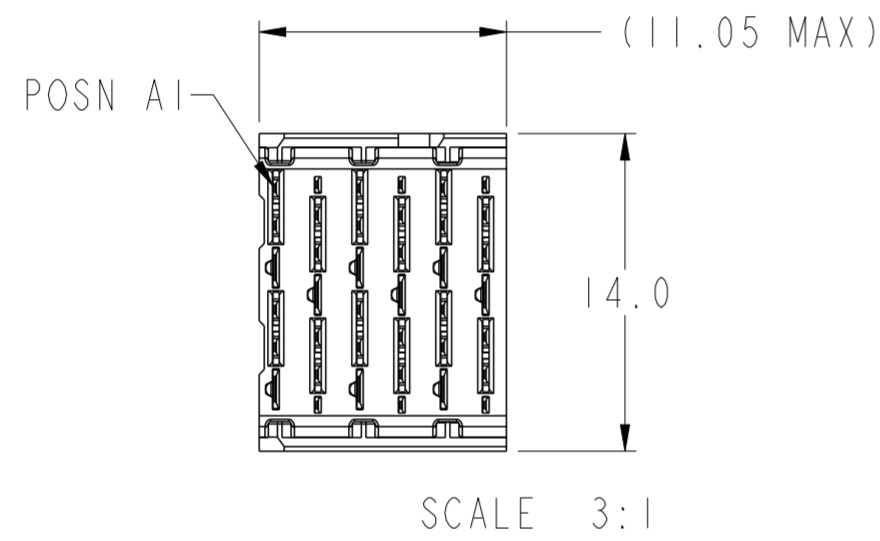
© 2016 AFCI

OPEN (2-WALL) MODULE

SEE NOTE 8



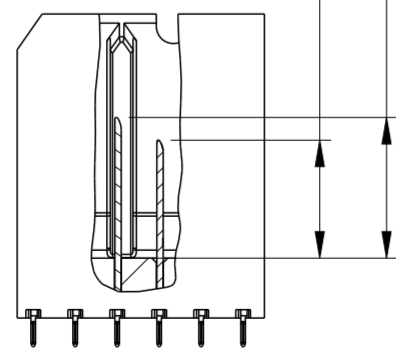
SEE NOTE 5



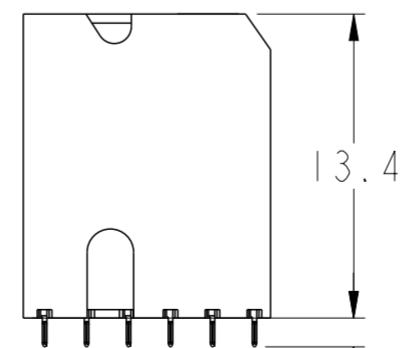
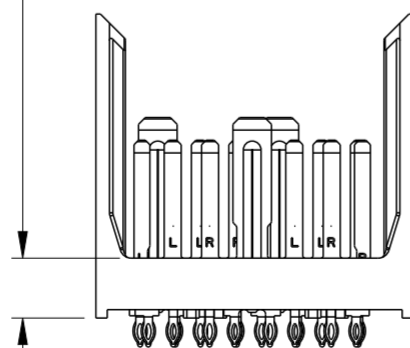
6.2 (4MM WIPE WIDE GROUNDS)
5.2 (3MM WIPE WIDE GROUNDS)

5.2 (3MM SMALL END GROUNDS)
5.2 (3MM WIPE SIGNALS)
4.2 (2MM WIPE SIGNALS)

(SEE P/N TREE FOR ALL COMBINATIONS AVAILABLE)

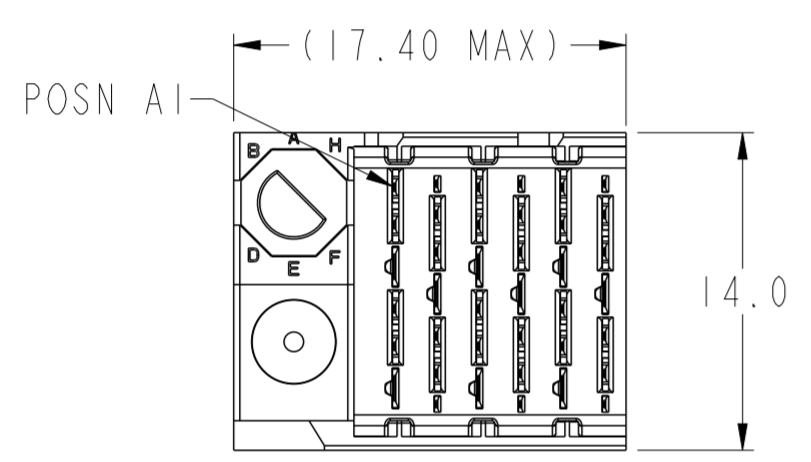
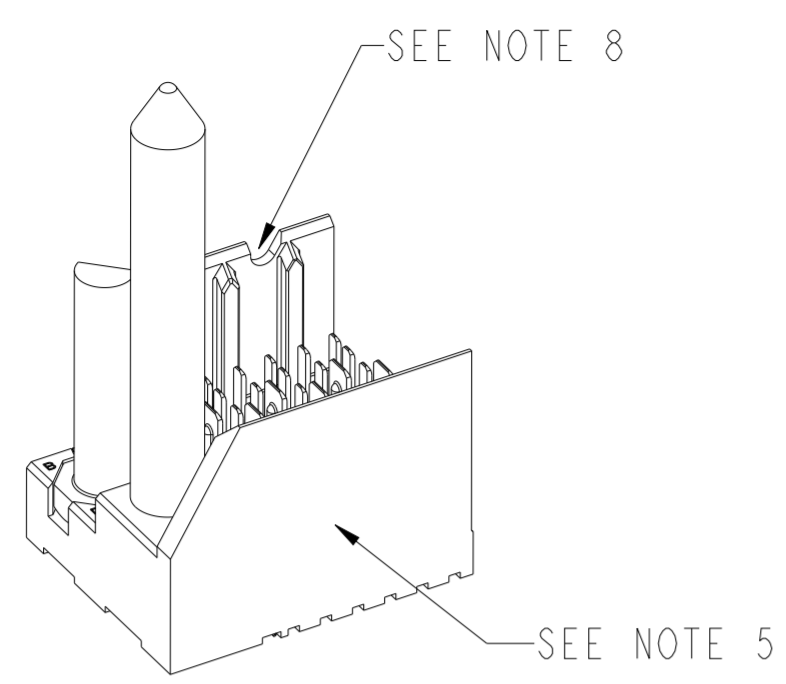


2.64±0.10 FROM STANDOFF SURFACE TO MATING SURFACE



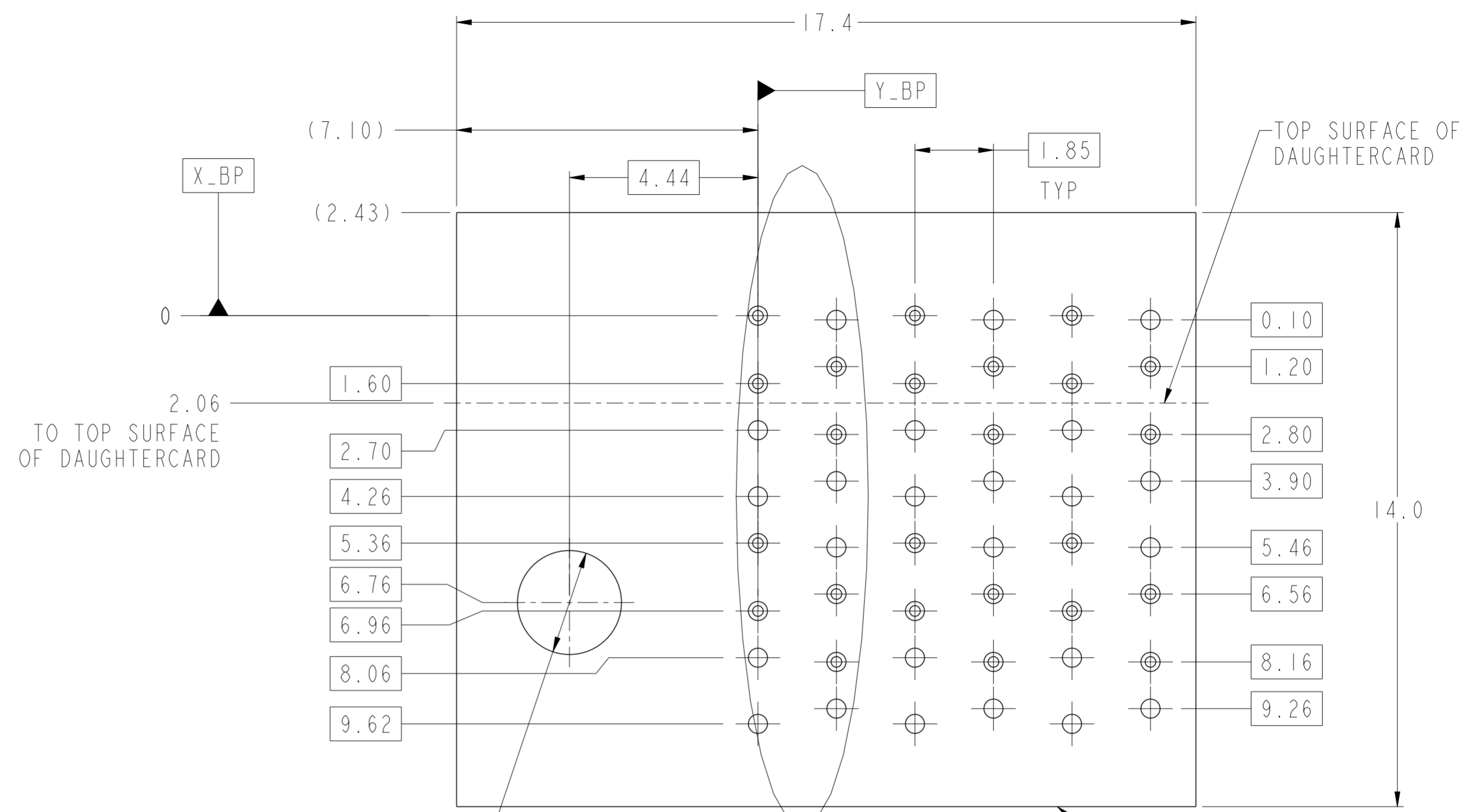
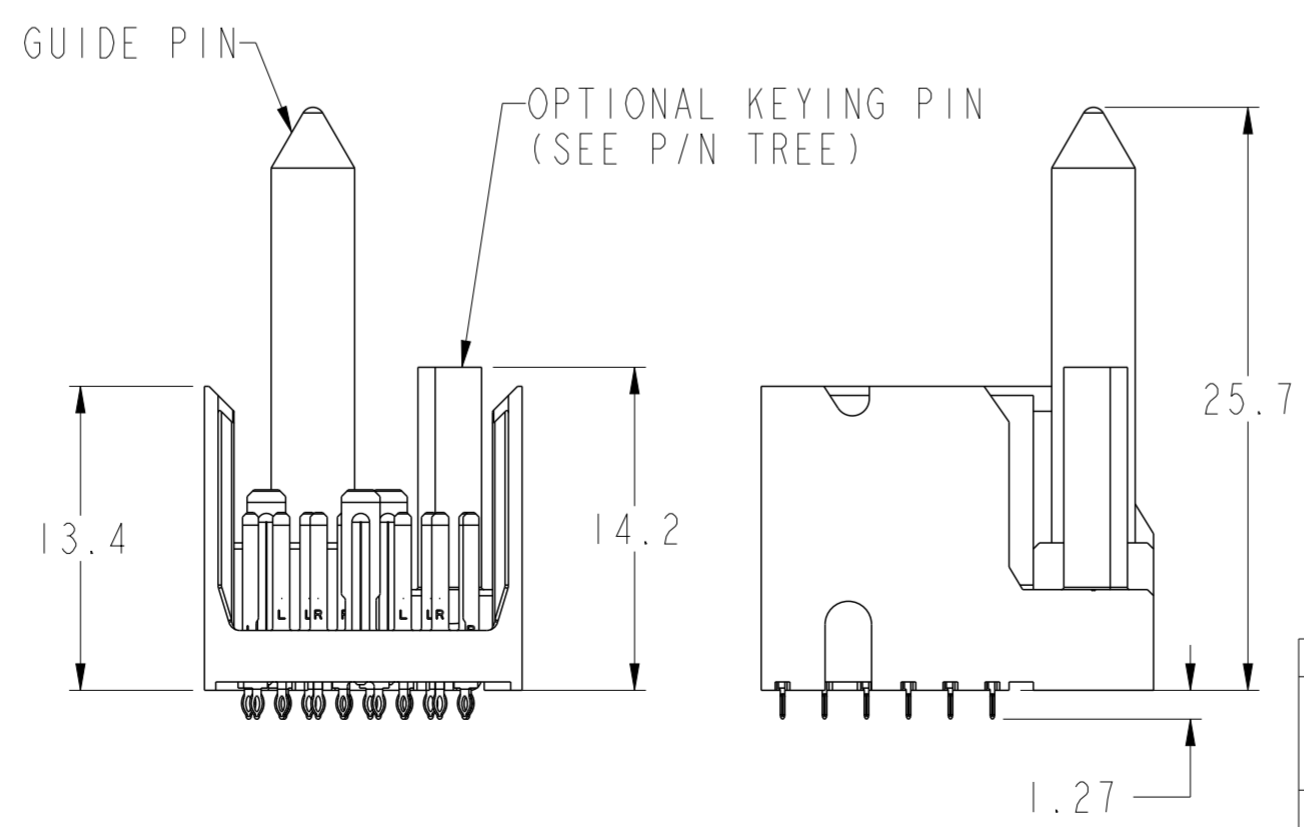
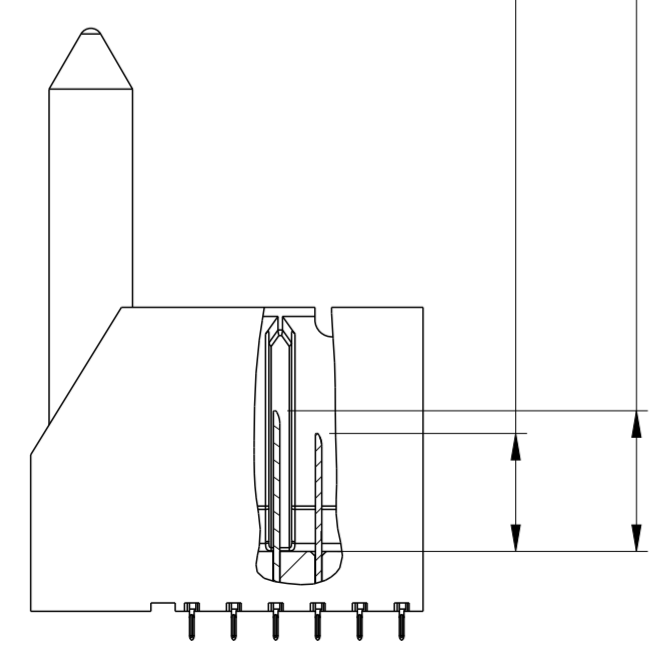
spec ref	SEE NOTES	dr	Kok-Hoe Lee	2010/06/28	projection	MM	size	A2	scale	3:1
tolerance std	TOLERANCES UNLESS OTHERWISE SPECIFIED	eng	Michael Song	2016/06/03			ecn no	ELX-DG-24191-1	rel level	Released
ASME Y14.5		chr	Heaven Cen	2016/06/08						
		appr	Pai-Ming Zheng	2016/06/15						
surface	linear	0.X	±0.2	Amphenol FCI		MODULE ASSEMBLY VERTICAL HEADER, 6-COLUMN, 2-PAIR		dwg no 10113947	rev G	
		0.XX	±0.10							
		0.XXX	±0.050							
ASME Y14.5	angular	0°	±°	cat. no.	SEE P/N TREE	Product - Customer Drw	sheet 2 of 8			

LEFT POLARIZING/GUIDE MODULE



SCALE 3:1

- 6.2 (4MM WIPE WIDE GROUNDS)
 - 5.2 (3MM WIPE WIDE GROUNDS)
 - 5.2 (3MM SMALL END GROUNDS)
 - 5.2 (3MM WIPE SIGNALS)
 - 4.2 (2MM WIPE SIGNALS)
- (SEE P/N TREE FOR ALL COMBINATIONS AVAILABLE)



\varnothing 2.55	\varnothing 2.35
\varnothing 0.10	X_BP Y_BP

SEE NOTE 11 & TABLE 1

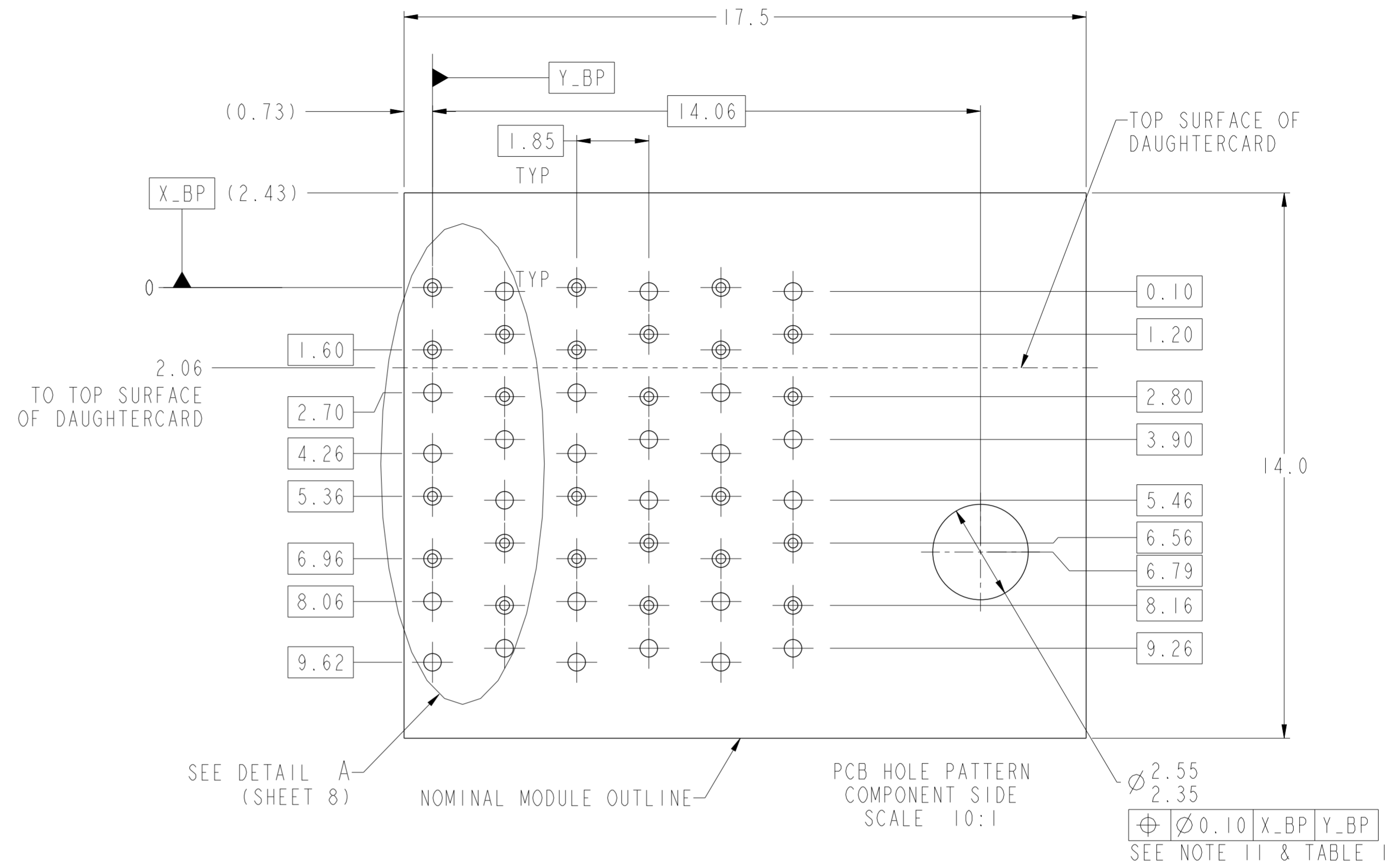
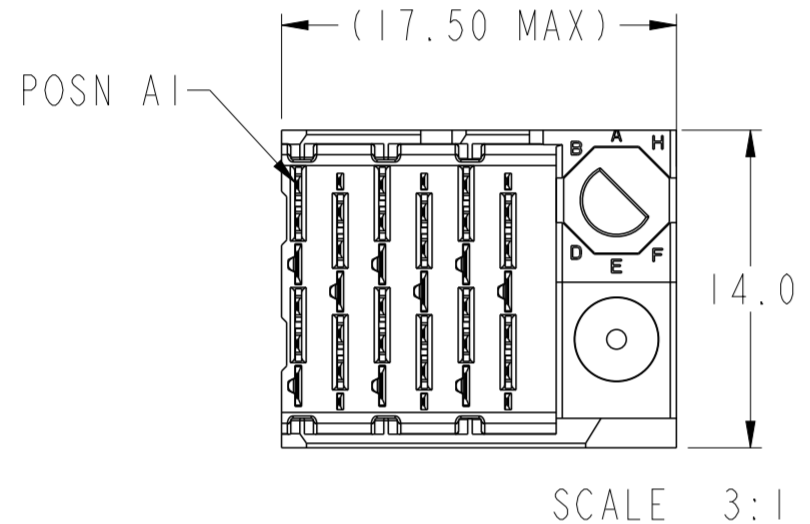
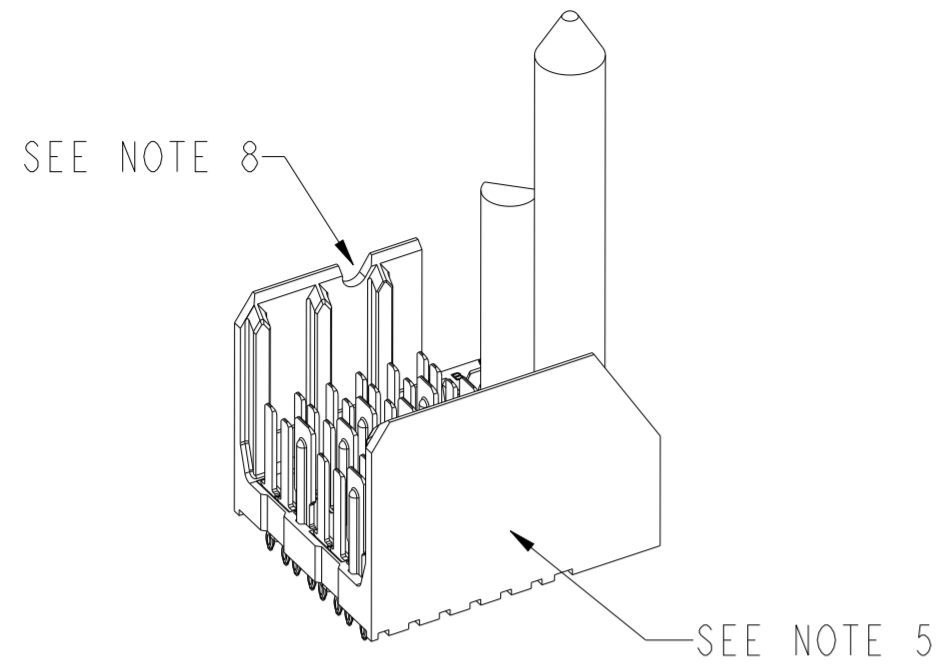
PCB HOLE PATTERN COMPONENT SIDE SCALE 10:1
NOMINAL MODULE OUTLINE

spec ref	SEE NOTES	dr	Kok-Hoe Lee	2010/06/28	projection	MM	size	A2	scale	3:1	
tolerance std	ASME Y14.5	eng	Michael Song	2016/06/03	chr	Heaven Cen	ecn no	ELX-DG-24191-1	rel level	Released	
surface	linear	0.X	± 0.2	0.XX	± 0.10	0.XXX	± 0.050	angular	0°	\pm °	
TOLERANCES UNLESS OTHERWISE SPECIFIED		Amphenol FCI		MODULE ASSEMBLY		VERTICAL HEADER, 6-COLUMN, 2-PAIR		cat. no.	SEE P/N TREE	Product - Customer Drw	sheet 3 of 8

Amphenol FCI

© 2016 AFCI

RIGHT POLARIZING/GUIDE MODULE

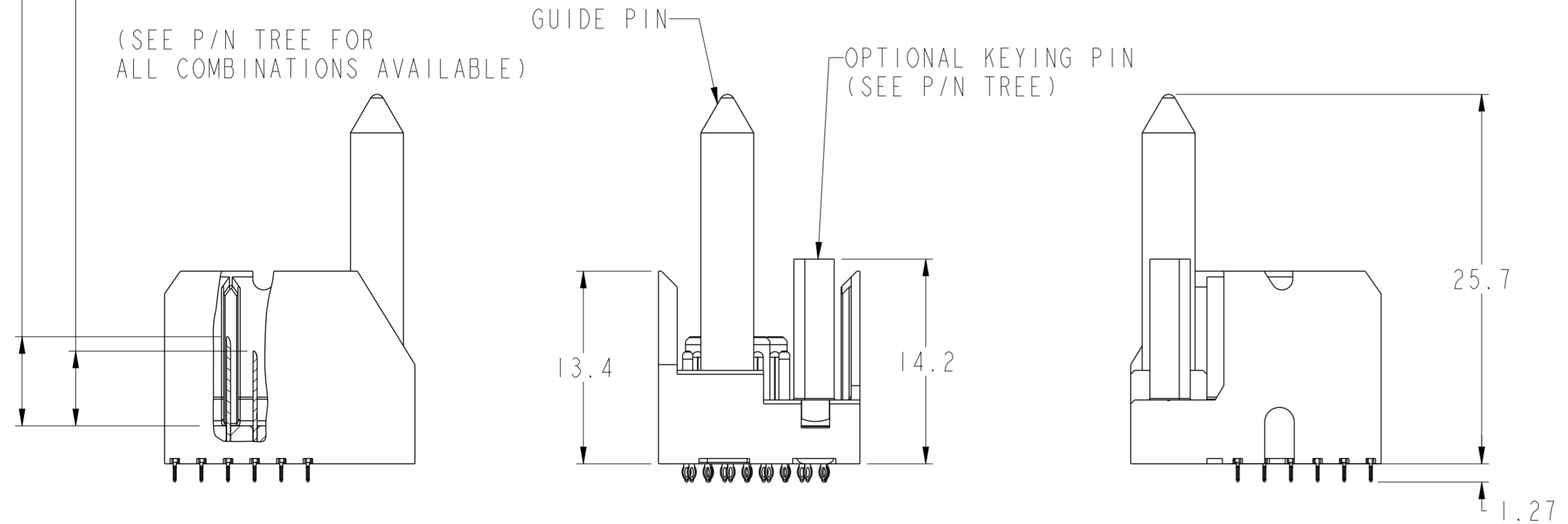


Amphenol FCI

© 2016 AFCI

- 6.2 (4MM WIPE WIDE GROUNDS)
- 5.2 (3MM WIPE WIDE GROUNDS)
- 5.2 (3MM SMALL END GROUNDS)
- 5.2 (3MM WIPE SIGNALS)
- 4.2 (2MM WIPE SIGNALS)

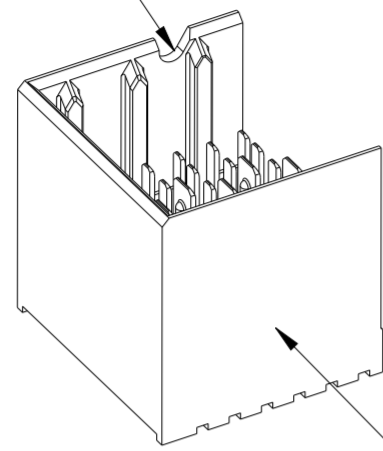
(SEE P/N TREE FOR ALL COMBINATIONS AVAILABLE)



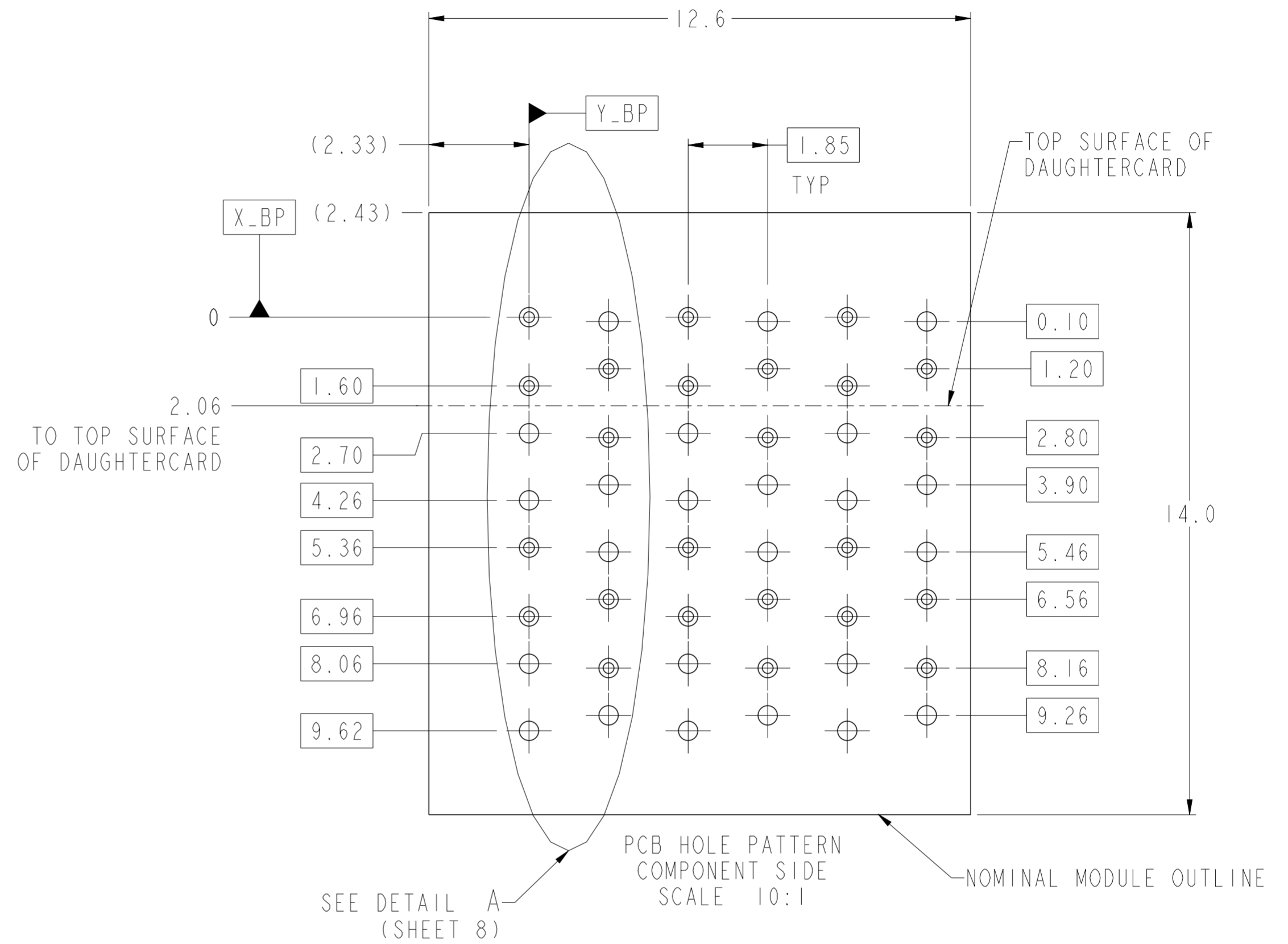
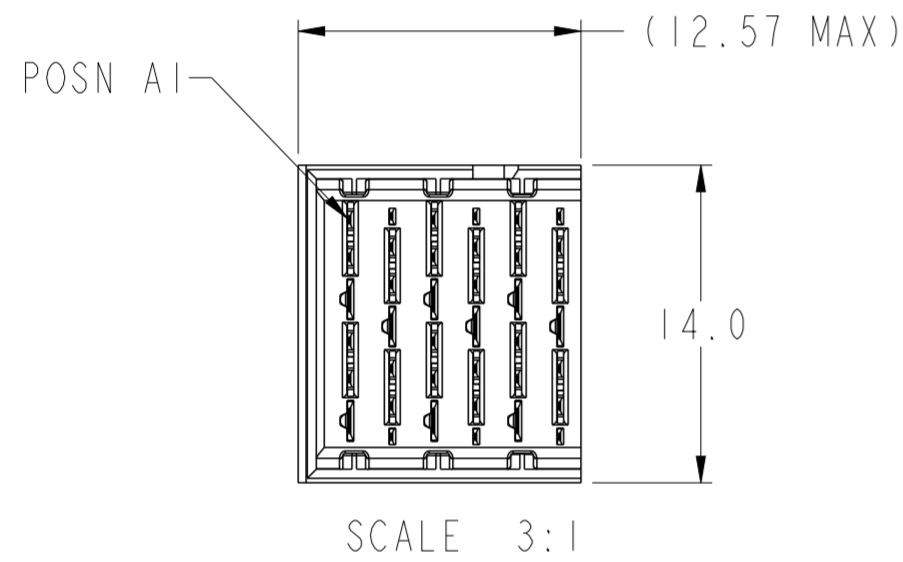
spec ref	SEE NOTES	dr	Kok-Hoe Lee	2010/06/28	projection	MM	size	A2	scale	3:1		
tolerance std	ASME Y14.5	eng	Michael Song	2016/06/03			ecn no	ELX-DG-24191-1				
TOLERANCES UNLESS OTHERWISE SPECIFIED		chr	Heaven Cen	2016/06/08			rel level	Released				
surface	linear	0.X	±0.2		product family				dwg no	10113947	rev	G
		0.XX	±0.10		Amphenol FCI	MODULE ASSEMBLY VERTICAL HEADER, 6-COLUMN, 2-PAIR			cat. no. SEE P/N TREE Product - Customer Draw sheet 4 of 8			
	angular	0°	±°			PDS: Rev :G STATUS:Released Printed: Jun 15, 2016						

LEFT WALL MODULE

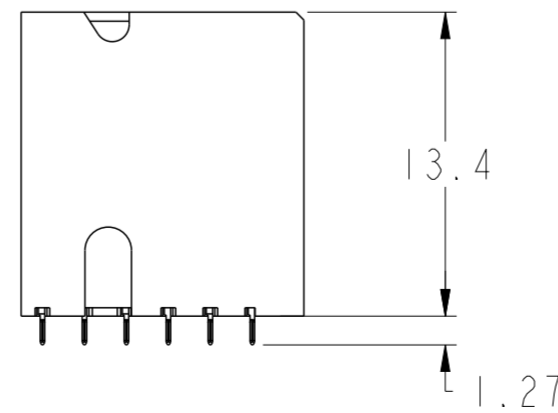
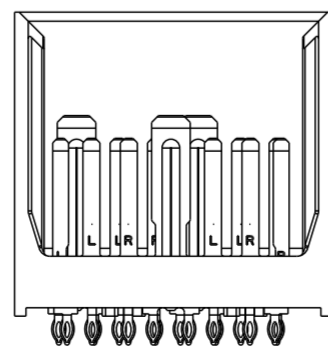
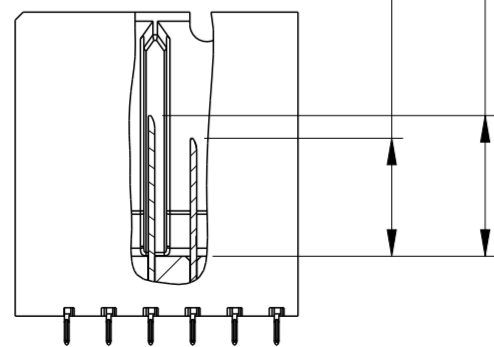
SEE NOTE 8



SEE NOTE 5



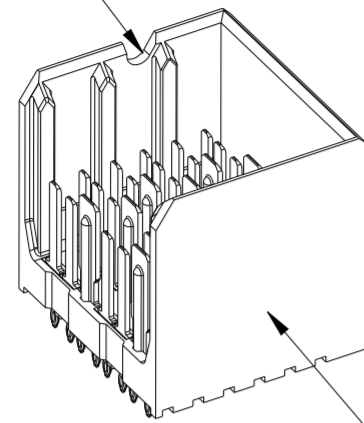
- 6.2 (4MM WIPE WIDE GROUNDS)
 - 5.2 (3MM WIPE WIDE GROUNDS)
 - 5.2 (3MM SMALL END GROUNDS)
 - 5.2 (3MM WIPE SIGNALS)
 - 4.2 (2MM WIPE SIGNALS)
- (SEE P/N TREE FOR ALL COMBINATIONS AVAILABLE)



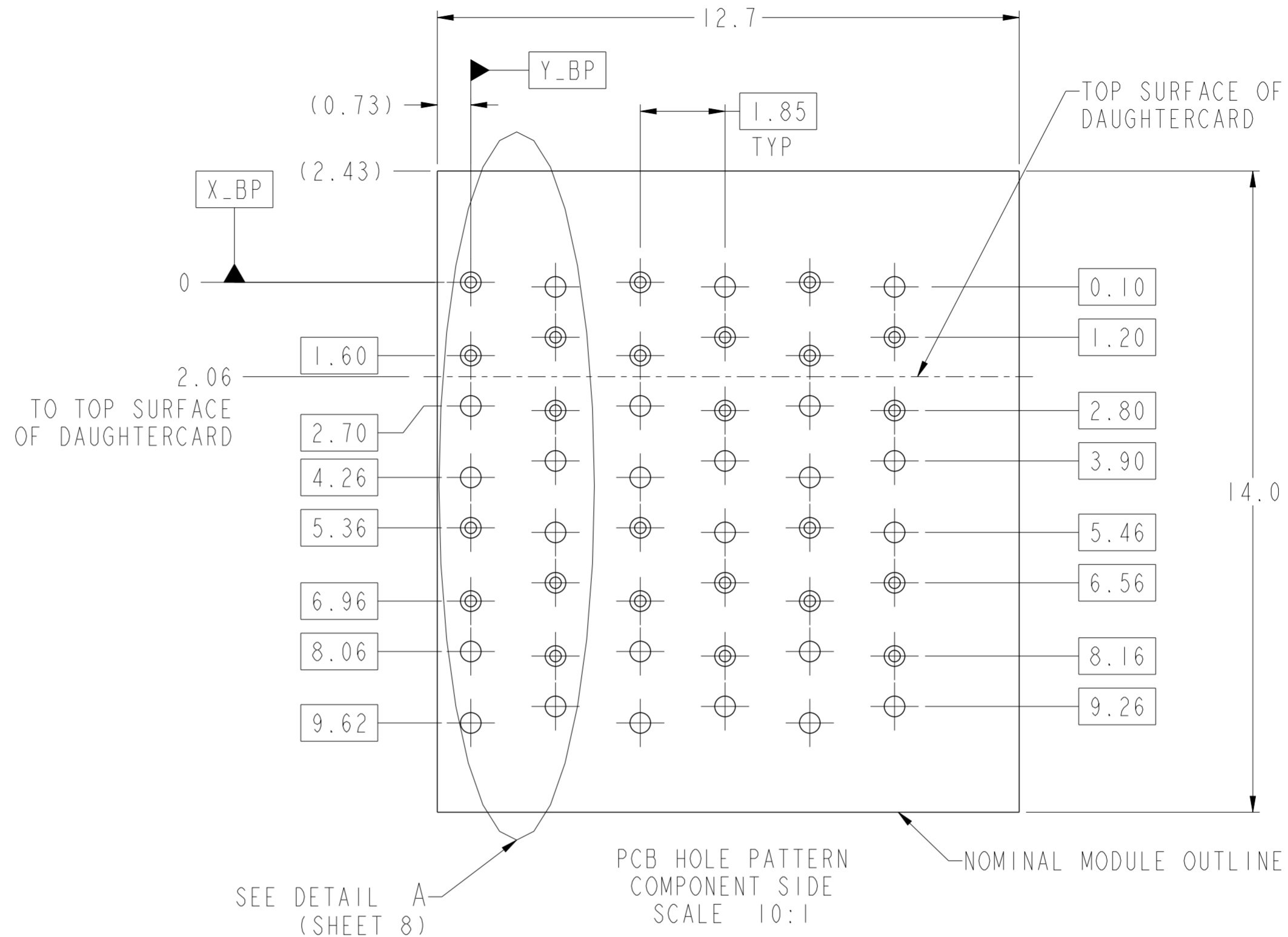
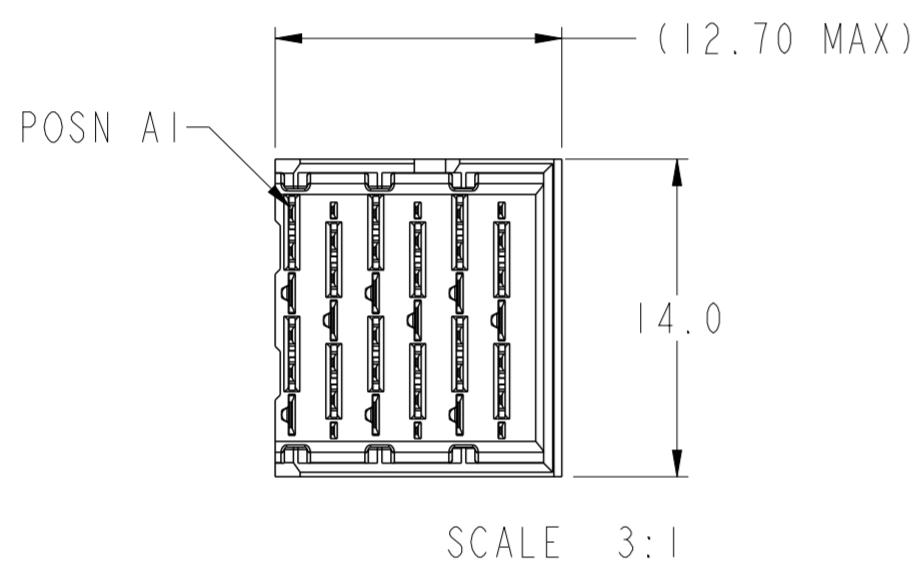
spec ref	SEE NOTES	dr	Kok-Hoe Lee	2010/06/28	projection	MM	size	A2	scale	7:1
tolerance std	ASME Y14.5	eng	Michael Song	2016/06/03			ecn no	ELX-DG-24191-1		
TOLERANCES UNLESS OTHERWISE SPECIFIED		chr	Heaven Cen	2016/06/08			rel level	Released		
		appr	Pai-Ming Zheng	2016/06/15						
surface	linear	0.X	±0.2	Amphenol FCI		MODULE ASSEMBLY VERTICAL HEADER, 6-COLUMN, 2-PAIR		dwg no 10113947	rev G	
		0.XX	±0.10							
		0.XXX	±0.050							
	angular	0°	±°	cat. no.		SEE P/N TREE	Product - Customer Drw		sheet 5 of 8	

RIGHT WALL MODULE

SEE NOTE 8

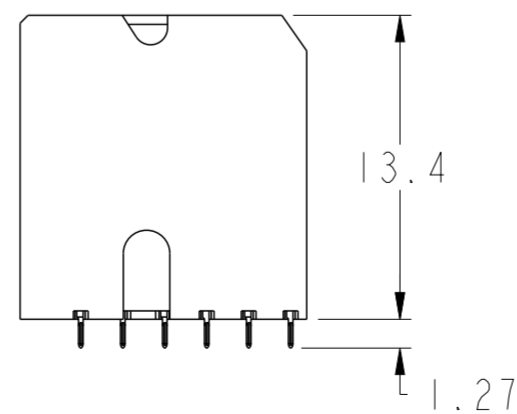
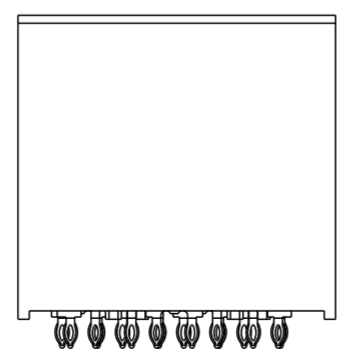
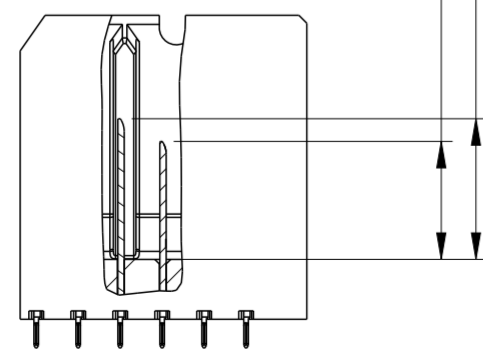


SEE NOTE 5



- 6.2 (4MM WIPE WIDE GROUNDS)
- 5.2 (3MM WIPE WIDE GROUNDS)
- 5.2 (3MM SMALL END GROUNDS)
- 5.2 (3MM WIPE SIGNALS)
- 4.2 (2MM WIPE SIGNALS)

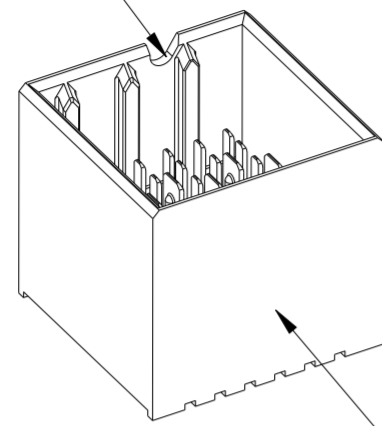
(SEE P/N TREE FOR ALL COMBINATIONS AVAILABLE)



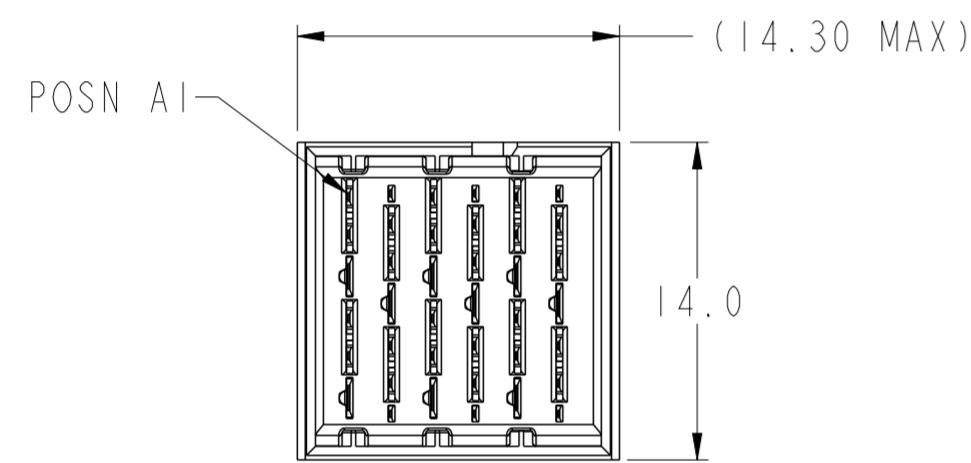
spec ref	SEE NOTES	dr	Kok-Hoe Lee	2010/06/28	projection	MM	size	A2	scale	7:1
tolerance std	ASME Y14.5	eng	Michael Song	2016/06/03			ecn no	ELX-DG-24191-1	rel level	Released
TOLERANCES UNLESS OTHERWISE SPECIFIED		chr	Heaven Cen	2016/06/08						
surface	linear	0.X	±0.2		product family		cat. no. SEE P/N TREE	Product - Customer Drw	sheet 6 of 8	
ASME Y14.5	angular	0.XX	±0.10		title MODULE ASSEMBLY VERTICAL HEADER, 6-COLUMN, 2-PAIR	dwg no 10113947				rev G
		0.XXX	±0.050							
		0°	±°							

FOUR WALL MODULE

SEE NOTE 8



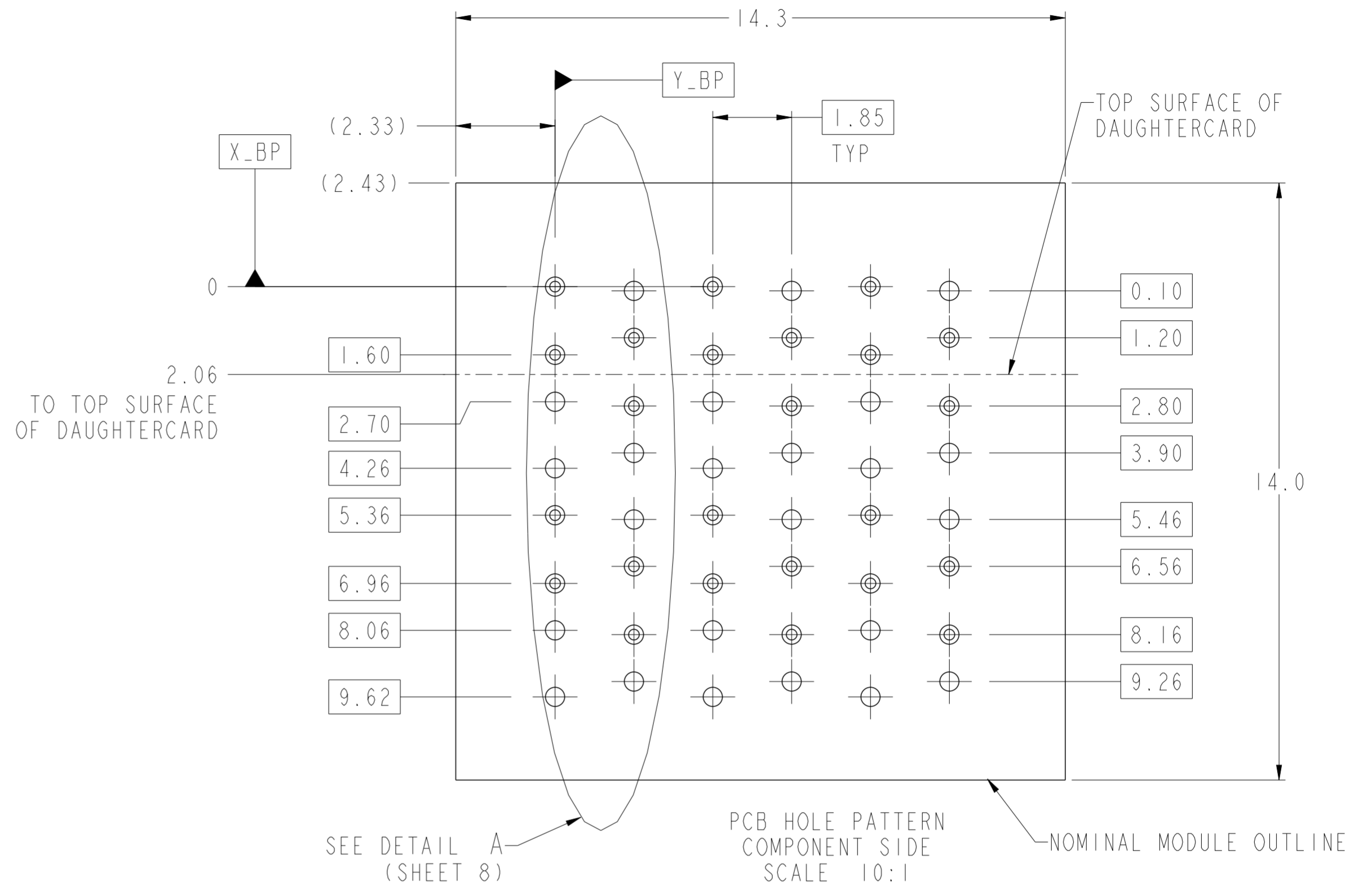
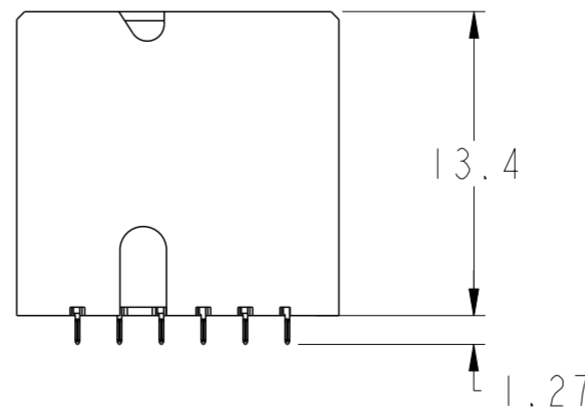
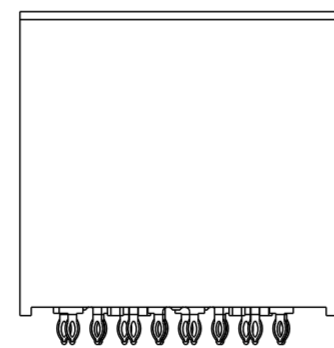
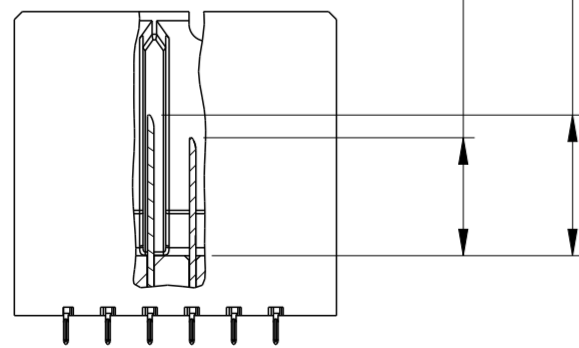
SEE NOTE 5



SCALE 3:1

- 6.2 (4MM WIPE WIDE GROUNDS)
- 5.2 (3MM WIPE WIDE GROUNDS)
- 5.2 (3MM SMALL END GROUNDS)
- 5.2 (3MM WIPE SIGNALS)
- 4.2 (2MM WIPE SIGNALS)

(SEE P/N TREE FOR ALL COMBINATIONS AVAILABLE)



SEE DETAIL A (SHEET 8)

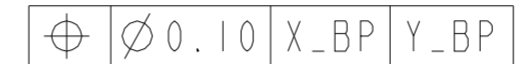
PCB HOLE PATTERN COMPONENT SIDE SCALE 10:1

NOMINAL MODULE OUTLINE

spec ref	SEE NOTES	dr	Kok-Hoe Lee	2010/06/28	projection	MM	size	A2	scale	6:1
tolerance std	TOLERANCES UNLESS OTHERWISE SPECIFIED	eng	Michael Song	2016/06/03			ecn no	ELX-DG-24191-1	rel level	Released
ASME Y14.5		chr	Heaven Cen	2016/06/08						
surface	linear	0.X	±0.2		MODULE ASSEMBLY		drwg no 10113947	rev G		
		0.XX	±0.10		VERTICAL HEADER, 6-COLUMN, 2-PAIR					
		0.XXX	±0.050		cat. no. SEE P/N TREE					
ASME Y14.5	angular	0°	±°	Product - Customer Drw		sheet 7 of 8				

TABLE 3: PTH AND PAD SIZES WITH REFERENCE TO COMPLIANT PIN DRILL		
COMPLIANT PIN DRILL	PTH	PAD
Ø0.55 [0.0217"]	Ø0.45±0.05	Ø0.85
Ø0.45 [0.0177"]	Ø0.36±0.05	Ø0.75

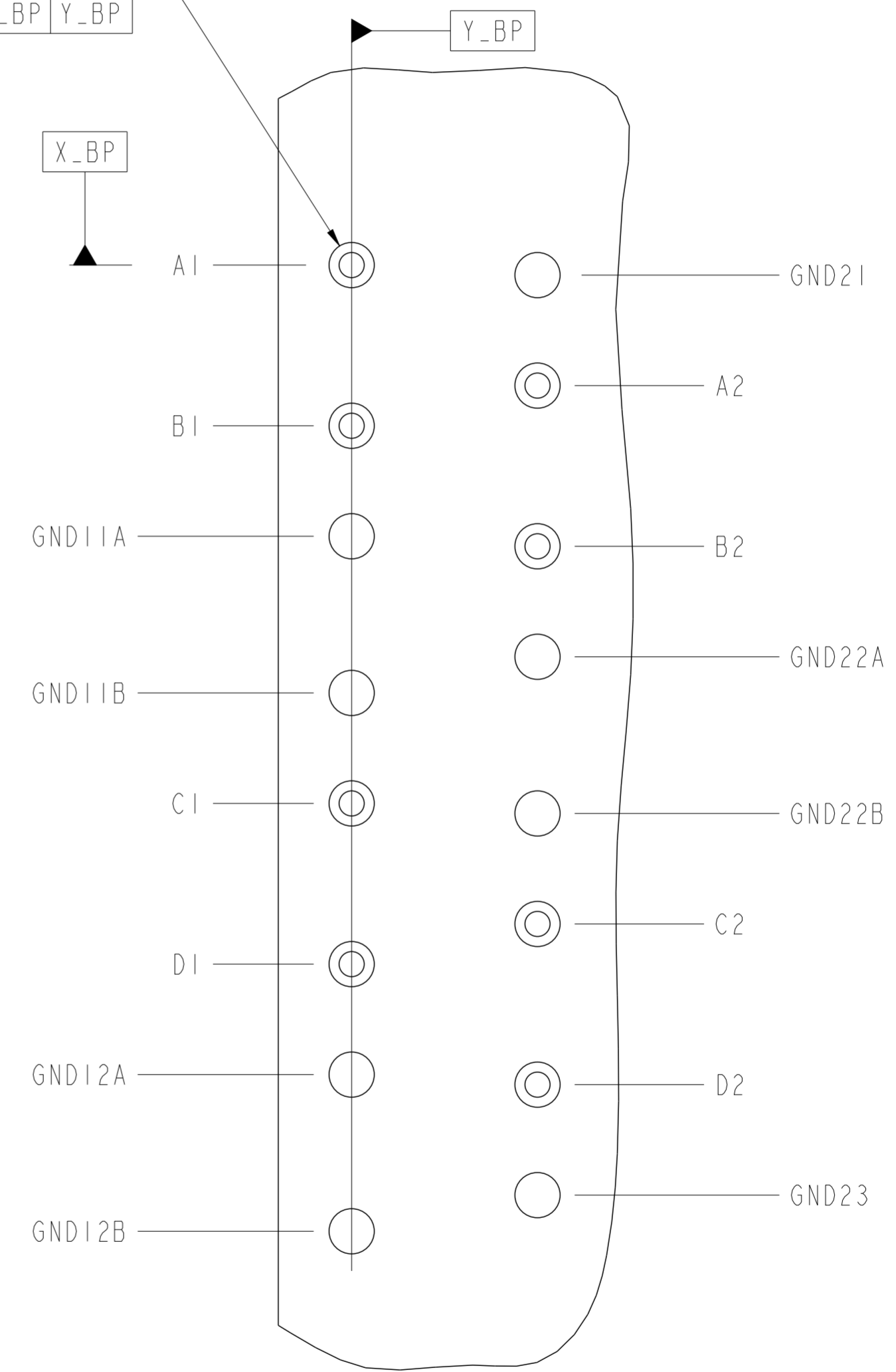
REFER TO TABLE 3 FOR PTH, DRILL & PAD SIZES



- NOTES:
- CONNECTOR MATERIALS
SHROUD: HIGH-TEMP THERMOPLASTIC, GRAY, UL94V-0
CONTACTS: HIGH PERFORMANCE COPPER ALLOY
 - CONTACT PLATING:

SEPARABLE INTERFACE: PERFORMANCE-BASED PLATING, QUALIFIED TO MEET THE REQUIREMENTS OF FCI PRODUCT SPECIFICATION GS-12-588, INCLUDING TELCORDIA GR-1217-CORE (NOVEMBER 1995) CENTRAL OFFICE TEST (CO) OR UNCONTROLLED ENVIRONMENT TEST SEQUENCE AS NOTED IN P/N TREE.

PRESS-FIT TAILS: TIN OVER NICKEL, OR TIN-LEAD ALLOY OVER NICKEL. SEE P/N TREE.
 - PRODUCT SPECIFICATION: GS-12-588
 - APPLICATION SPECIFICATION: GS-20-121
 - PRODUCT MARKING (PART NUMBER AND LOT CODE) ON THESE SURFACES.
 - HOUSING MUST WITHSTAND EXPOSURE TO 260°C PEAK TEMPERATURE FOR 40 SECONDS IN A CONVECTION, INFRA-RED, OR VAPOR-PHASE REFLOW OVEN.
 - PACKAGING MEETS GS-14-920 LEAD-FREE LABELING SPECIFICATION.
 - NOTCH INDICATES "ROW A" SIDE OF CONNECTOR.
 - SEE APPLICATION SPECIFICATION FOR ROUTING GUIDELINES, ADDITIONAL PTH GUIDELINES, MATED DIMENSIONS, GUIDE PN SELECTION, ETC.
 - SCREW IS OPTIONAL AND ENGAGES WITH BOTTOM OF GUIDE-PIN FROM BENEATH THE PCB FOR ADDITIONAL GUIDE-PIN SUPPORT.
 - OPTIONAL HOLE LOCATION FOR GROUNDED PIN OR ADDITIONAL GUIDE-PIN SUPPORT. SEE TABLE 1 ON SHEET 1 FOR ADDITIONAL DETAILS.



DETAIL A
SCALE 20:1

spec ref	SEE NOTES	dr	Kok-Hoe Lee	2010/06/28	projection	MM	size	A2	scale	3:1
tolerance std	TOLERANCES UNLESS OTHERWISE SPECIFIED	eng	Michael Song	2016/06/03			ecn no	ELX-DG-24191-1	rel level Released	
ASME Y14.5		chr	Heaven Cen	2016/06/08			product family			
		appr	Pai-Ming Zheng	2016/06/15						
surface	linear	0.X	±0.2	Amphenol FCI	MODULE ASSEMBLY VERTICAL HEADER, 6-COLUMN, 2-PAIR		cat. no.	SEE P/N TREE	Product - Customer Drw	sheet 8 of 8
		0.XX	±0.10		diag no	10113947	rev	G		
ASME Y14.5	angular	0°	±°							

PDS: Rev :G

STATUS:Released

Printed: Jun 15, 2016

Amphenol FCI

© 2016 AFCI

Mouser Electronics

Authorized Distributor

Click to View Pricing, Inventory, Delivery & Lifecycle Information:

[FCI / Amphenol:](#)

[10113947-00C-10B](#) [10113947-00C-10DLF](#) [10113947-00C-20B](#) [10113947-00C-20DLF](#) [10113947-00C-30B](#)
[10113947-00C-30DLF](#) [10113947-00C-40B](#) [10113947-00C-40DLF](#) [10113947-00C-50B](#) [10113947-00C-50DLF](#)
[10113947-00C-60B](#) [10113947-00C-60DLF](#) [10113947-00C-70B](#) [10113947-00C-70DLF](#) [10113947-00C-80B](#)
[10113947-00C-80DLF](#) [10113947-10C-10B](#) [10113947-10C-10DLF](#) [10113947-10C-20B](#) [10113947-10C-20DLF](#)
[10113947-10C-30B](#) [10113947-10C-30DLF](#) [10113947-10C-40B](#) [10113947-10C-40DLF](#) [10113947-10C-50B](#)
[10113947-10C-50DLF](#) [10113947-10C-60B](#) [10113947-10C-60DLF](#) [10113947-10C-70B](#) [10113947-10C-70DLF](#)
[10113947-10C-80B](#) [10113947-10C-80DLF](#) [10113947-A0C-10B](#) [10113947-A0C-10DLF](#) [10113947-A0C-20B](#)
[10113947-A0C-20DLF](#) [10113947-A0C-30B](#) [10113947-A0C-30DLF](#) [10113947-A0C-40B](#) [10113947-A0C-40DLF](#)
[10113947-A0C-50B](#) [10113947-A0C-50DLF](#) [10113947-A0C-60B](#) [10113947-A0C-60DLF](#) [10113947-A0C-70B](#)
[10113947-A0C-70DLF](#) [10113947-A0C-80B](#) [10113947-A0C-80DLF](#) [10113947-B0C-10B](#) [10113947-B0C-10DLF](#)
[10113947-B0C-20B](#) [10113947-B0C-20DLF](#) [10113947-B0C-30B](#) [10113947-B0C-30DLF](#) [10113947-B0C-40B](#)
[10113947-B0C-40DLF](#) [10113947-B0C-50B](#) [10113947-B0C-50DLF](#) [10113947-B0C-60B](#) [10113947-B0C-60DLF](#)
[10113947-B0C-70B](#) [10113947-B0C-70DLF](#) [10113947-B0C-80B](#) [10113947-B0C-80DLF](#) [10113947-C0C-10B](#)
[10113947-C0C-10DLF](#) [10113947-C0C-20B](#) [10113947-C0C-20DLF](#) [10113947-C0C-30B](#) [10113947-C0C-30DLF](#)
[10113947-C0C-40B](#) [10113947-C0C-40DLF](#) [10113947-C0C-50B](#) [10113947-C0C-50DLF](#) [10113947-C0C-60B](#)
[10113947-C0C-60DLF](#) [10113947-C0C-70B](#) [10113947-C0C-70DLF](#) [10113947-C0C-80B](#) [10113947-C0C-80DLF](#)
[10113947-D0C-10B](#) [10113947-D0C-10DLF](#) [10113947-D0C-20B](#) [10113947-D0C-20DLF](#) [10113947-D0C-30B](#)
[10113947-D0C-30DLF](#) [10113947-D0C-40B](#) [10113947-D0C-40DLF](#) [10113947-D0C-50B](#) [10113947-D0C-50DLF](#)
[10113947-D0C-60B](#) [10113947-D0C-60DLF](#) [10113947-D0C-70B](#) [10113947-D0C-70DLF](#) [10113947-D0C-80B](#)
[10113947-D0C-80DLF](#) [10113947-E0C-10B](#) [10113947-E0C-10DLF](#) [10113947-E0C-20B](#) [10113947-E0C-20DLF](#)