

4

3

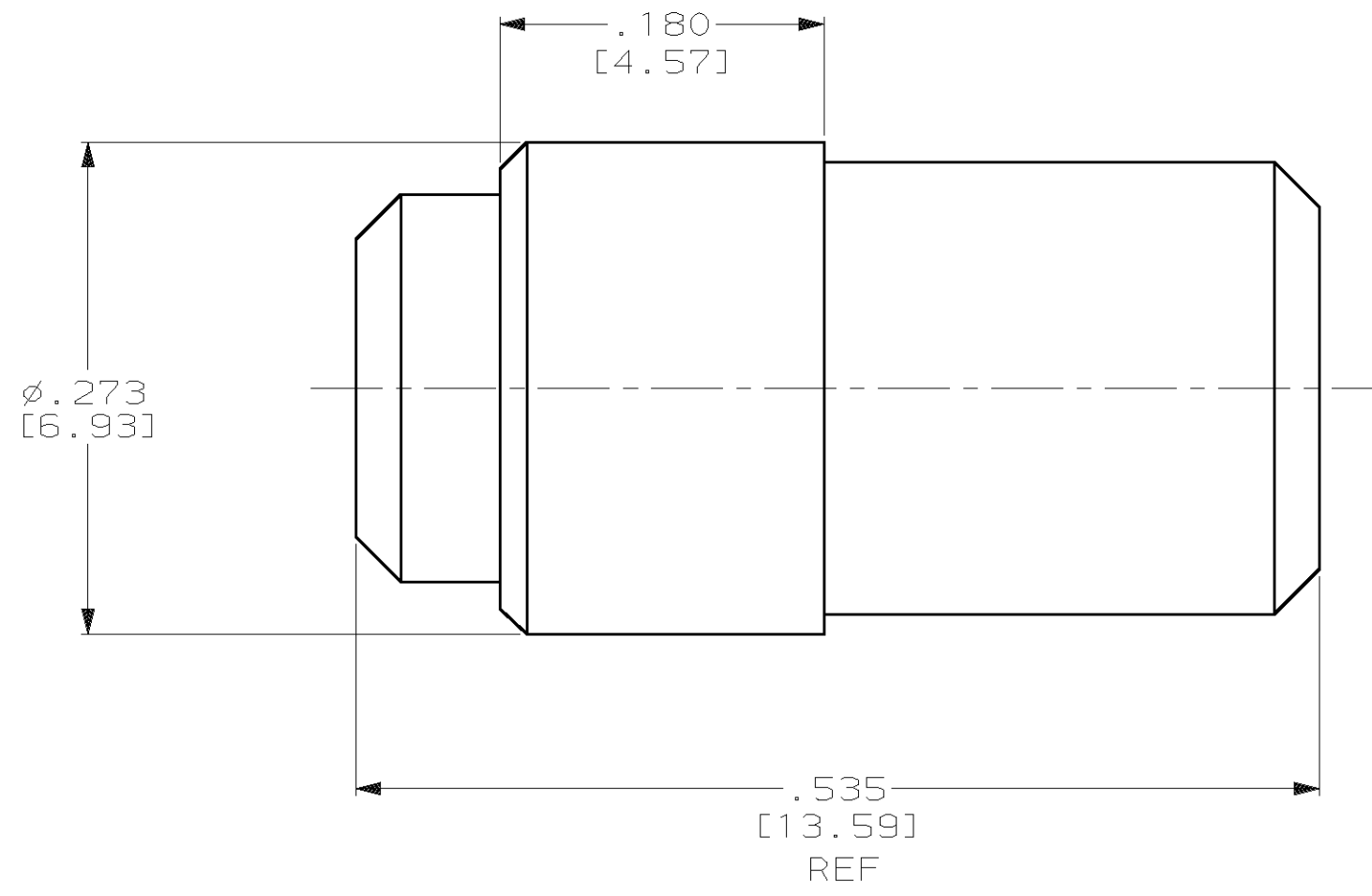
2

1

THIS DRAWING IS UNPUBLISHED. RELEASED FOR PUBLICATION, 19 .

© COPYRIGHT 19 BY AMP INCORPORATED. ALL RIGHTS RESERVED.

LOC		DIST		REVISIONS			
P	LTR	DESCRIPTION	DATE	DWN	APVD		
DF	AO	0	RELEASED	11-02	CT	SG	



1. FOR USE IN ARINC 600 OR ARINC 404 REAR RELEASE SIZE 5 PIN CONTACT CAVITY.

1663132-1
PART NO.

THIS DRAWING IS A CONTROLLED DOCUMENT.		DWN C.C. THOMAS 11-19-02	tyco TYCO Electronics Harrisburg, PA 17105-3608	
DIMENSIONS: INCHES [mm]		CHK S. GLATFELTER 11-19-02	APVD S. GLATFELTER 11-19-02	
TOLERANCES UNLESS OTHERWISE SPECIFIED: 0 PLC ±- 1 PLC ±- 2 PLC ±- 3 PLC ±.005 [0.13] 4 PLC ±- ANGLES ±-		NAME FILLER PLUG, SIZE 5, ARINC 600		
MATERIAL TEFLON PER ASTM-D-1457		FINISH -		RESTRICTED TO -
PRODUCT SPEC -		APPLICATION SPEC -		SCALE 10:1
WEIGHT -		CUSTOMER DRAWING		SHEET 1 OF 1
SIZE A3		CAGE CODE 00779		REV 0
DRAWING NO C- 1663132		REV 0		

Mouser Electronics

Authorized Distributor

Click to View Pricing, Inventory, Delivery & Lifecycle Information:

[TE Connectivity:](#)

[1663132-1](#)