

10120126 - X 0 J - X X X L F

4-COLUMN DIFFERENTIAL SIGNAL

LEAD-FREE DESIGNATION ONLY WITH APPLICABLE PLATING CODES

LETTER	PLATING (SEE NOTE 6)	
	APPLICATION	TYPE (REFERENCE)
B	TELCORDIA CO	0.76um GOLD or GXT
C	TELCORDIA UE	1.27um GOLD
D	TELCORDIA CO	0.76um GOLD or GXT, LEAD-FREE
E	TELCORDIA UE	1.27um GOLD, LEAD-FREE

NUMBER	GUIDE PIN STYLE (SEE NOTE 8)
0	STANDARD GUIDE PIN, MACHINED
1	STANDARD GUIDE PIN, ROLLED

NUMBER	CONTACT MATING WIPE LENGTH		COMPLIANT TAIL TYPE (SEE NOTE 9)
	SIGNAL	GROUND	
1	2 MM	4 MM	0.55 (0.0217") DRILL
2	3 MM	4 MM	0.55 (0.0217") DRILL
3	2 MM	4 MM	0.45 MICRO (0.0177") DRILL
4	3 MM	4 MM	0.45 MICRO (0.0177") DRILL
5	2 MM	3 MM	0.55 (0.0217") DRILL
6	3 MM	3 MM	0.55 (0.0217") DRILL
7	2 MM	3 MM	0.45 MICRO (0.0177") DRILL
8	3 MM	3 MM	0.45 MICRO (0.0177") DRILL

FOR CUSTOM-LOADED MODULES, SEE INDIVIDUAL CUSTOM DRAWINGS WITH THE DRAWING-NUMBER FORMAT OF 10120126-XXXX, WHERE: "X" DENOTES MODULE TYPE PER CHART ON THIS SHEET "YYYY" IS A SEQUENTIAL NUMBER BEGINNING WITH "0001".

MODULE DESCRIPTION	LETTER DESIGNATION REPRESENTED IN DASH NUMBER										BASE MODULE
LEFT POLARIZING GUIDANCE MODULE (SEE SHEET 5)	N	J	A	B	C	D	E	F	G	H	
	NO KEY NO GUIDE PIN										
RIGHT POLARIZING GUIDANCE MODULE (SEE SHEET 5)	Z	Y	P	Q	R	S	T	U	V	W	
	NO KEY NO GUIDE PIN										
OPEN MODULE (TWO WALL) (SEE SHEET 3)	0 (ZERO)										
LEFT WALL MODULE (SEE SHEET 6)	L										
RIGHT WALL MODULE (SEE SHEET 6)	M										
FOUR WALL MODULE (SEE SHEET 6)	1 (ONE)										

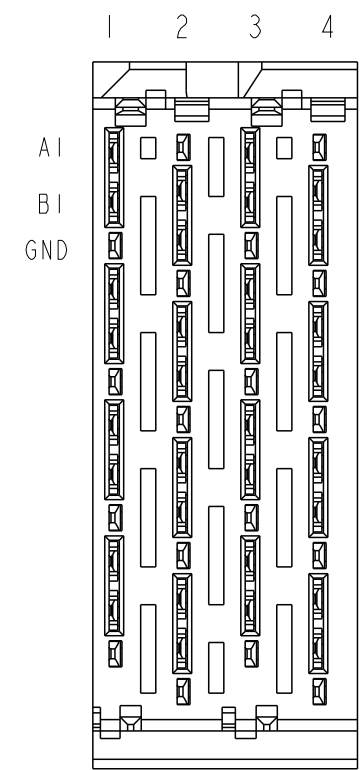
	UNGROUND	GROUND
FHS	Ø2.35-Ø2.55	Ø2.35-Ø2.55
PAD	N/A	Ø5.50
PLATED	NO	YES
DRILL(mm)	2.44mm	2.58mm
DRILL(in)	0.096"	0.1015"

SCREW P/N	DESCRIPTION	BOARD THICKNESS
10091790-002LF	#2-56 X 0.375" LG. PHILIPS PANHEAD W/SQ CONICAL WASHER	1.60-5.00mm
10091790-003LF	#2-56 X 0.375" LG. PHILIPS PANHEAD W/SQ CONICAL WASHER	5.00-10.00mm

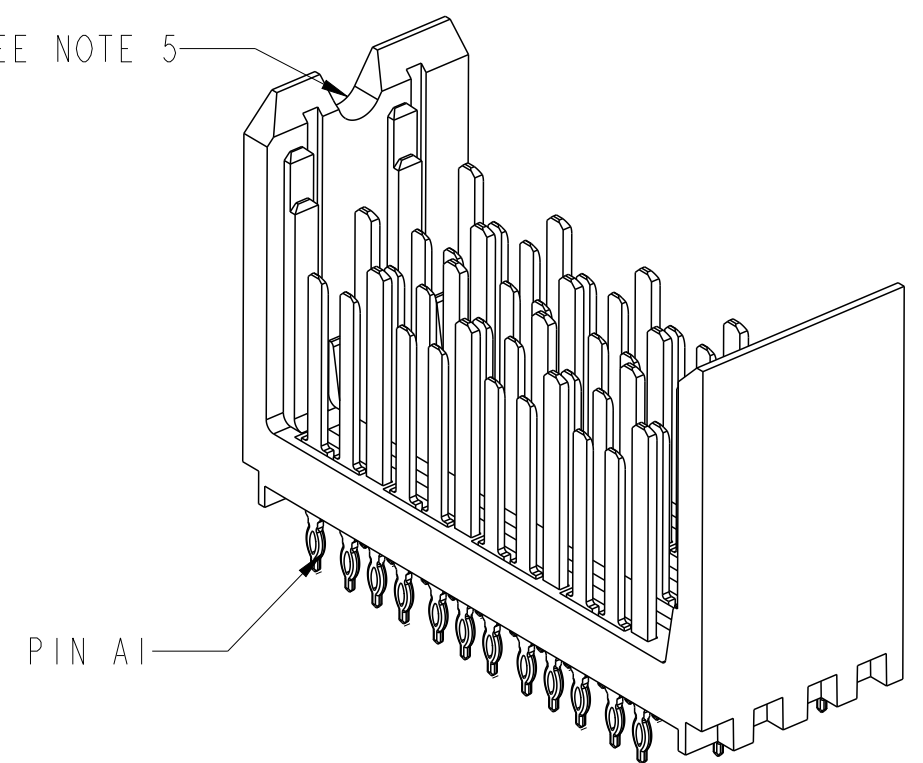
spec ref	-	
tolerance std	ISO 406 ISO 1101	
surface	linear	0.X ±0.3 0.XX ±0.10 0.XXX ±0.05
	angular	0° ±2°
	TOLERANCES UNLESS OTHERWISE SPECIFIED	

dr	Yong-Keat Lim	2012/03/05	projection	mm	size	A2	scale	1:1
eng	Sandar Soe	2013/03/20		mm	ecn no	ELX-8-14229-1	rel level	Released
chr	-	-						
appr	Chen-Hong Tan	2013/04/09	product family	-	rel level	Released	rev	B
www.fci.com		cat. no.	Product - Customer Drw		sheet 1 of 8			

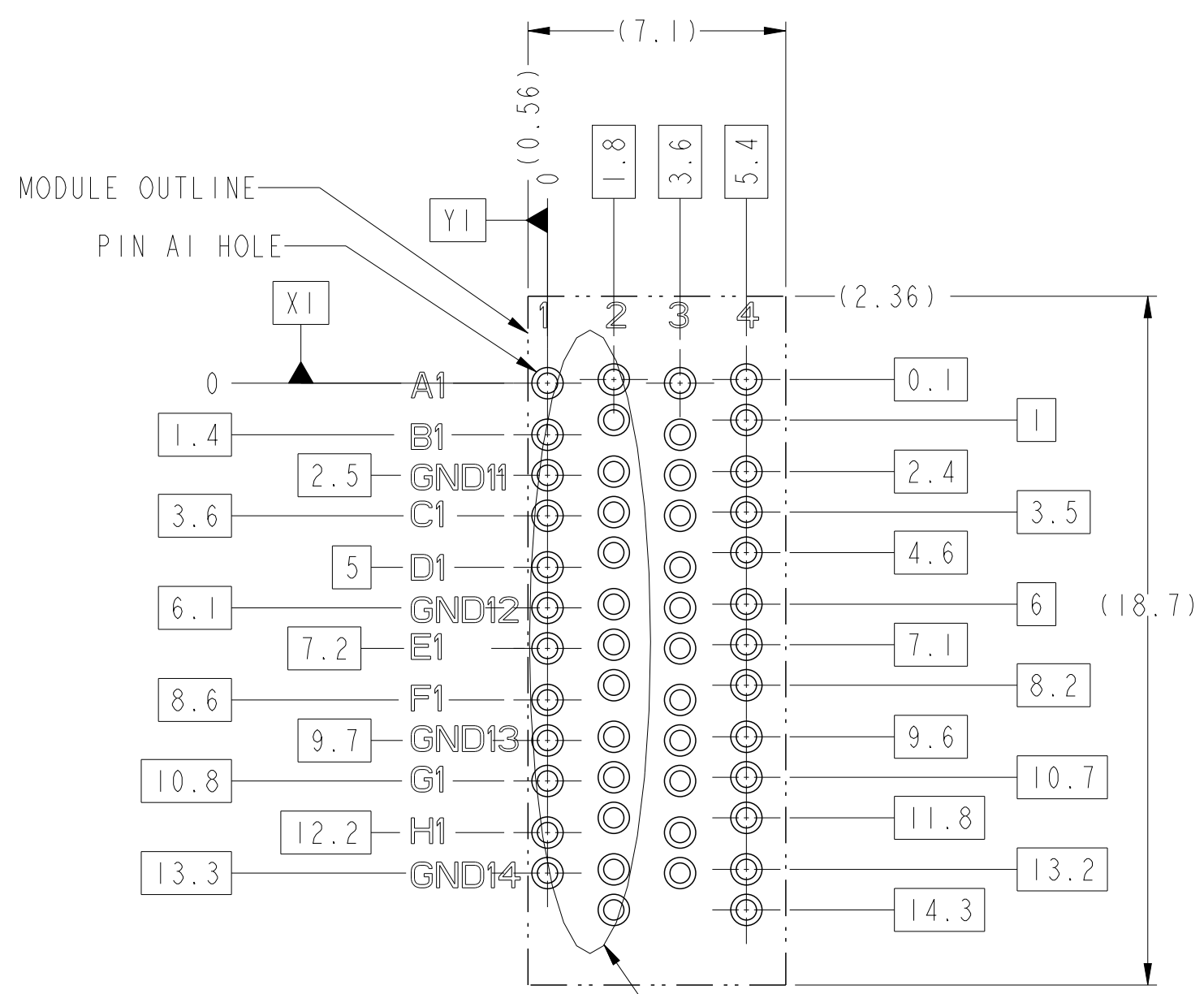
Copyright FCI. FCI



SEE NOTE 5



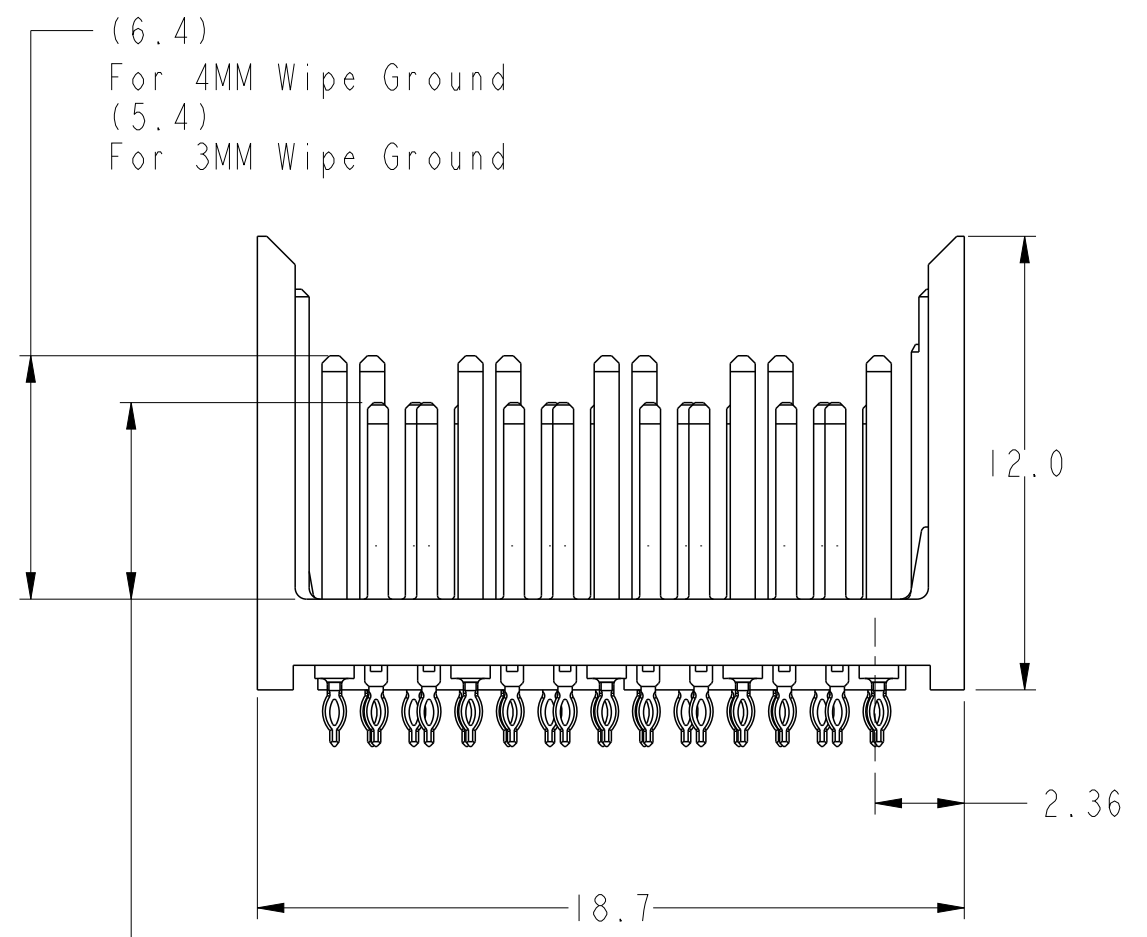
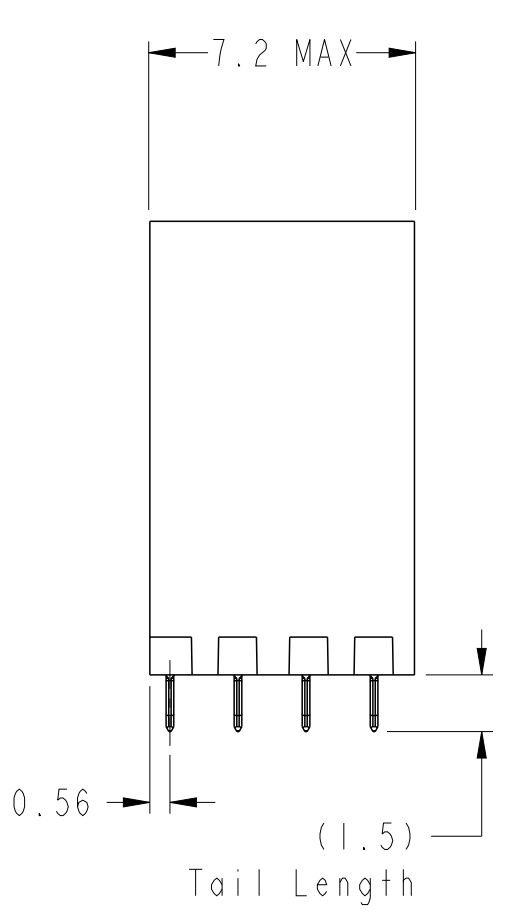
**OPEN WALL MODULE**



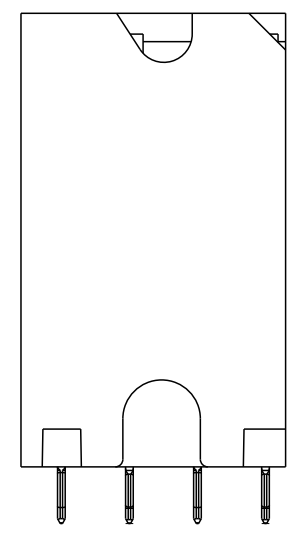
SEE DETAIL A ON SHEET 8 FOR DETAILS

BP HOLE PATTERN COMPONENT SIDE

**OPEN WALL MODULE BACKPLANE FOOTPRINT**



(5.2) For 3MM Wipe Signal  
(4.2) For 2MM Wipe Signal



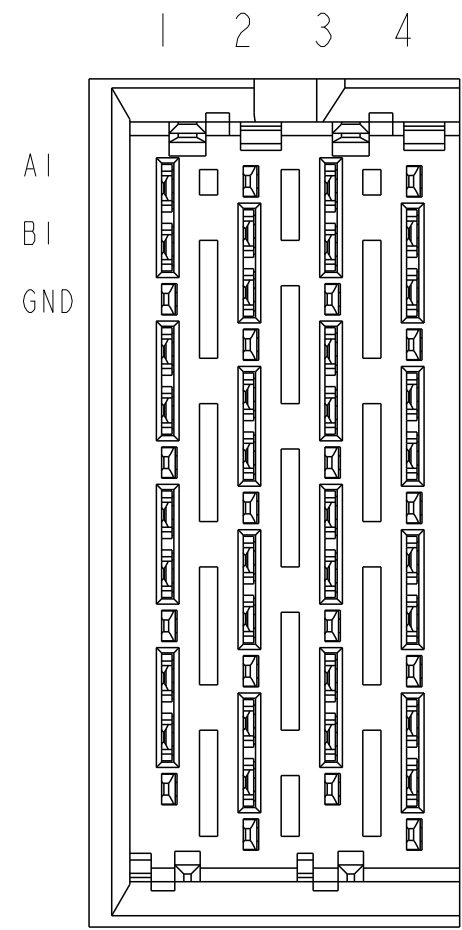
Copyright FCI.

spec ref	-	dr	Yong-Keat Lim	2012/03/05	projection	mm	size	A2	scale	1:1
tolerance std	ISO 406 ISO 1101	eng	Sandar Soe	2013/03/20		mm	ecn no	ELX-S-14229-1		
TOLERANCES UNLESS OTHERWISE SPECIFIED		chr	-	rel level				Released		
surface	ISO 1302	appr	Chen-Hong Tan	2013/04/09	product family	-	rel level	Blue		rev
linear	0.X ±0.3 0.XX ±0.10 0.XXX ±0.05			<b>MODULE ASSEMBLY, XCEDE HD</b> Vertical Header, 4 Pair 4 Column		dwg no 10120126	sheet 2 of 8		rev B	
angular	0° ±2°	www.fci.com		cat. no.	Product - Customer Drw		STATUS:Released		Printed: Apr 10, 2013	

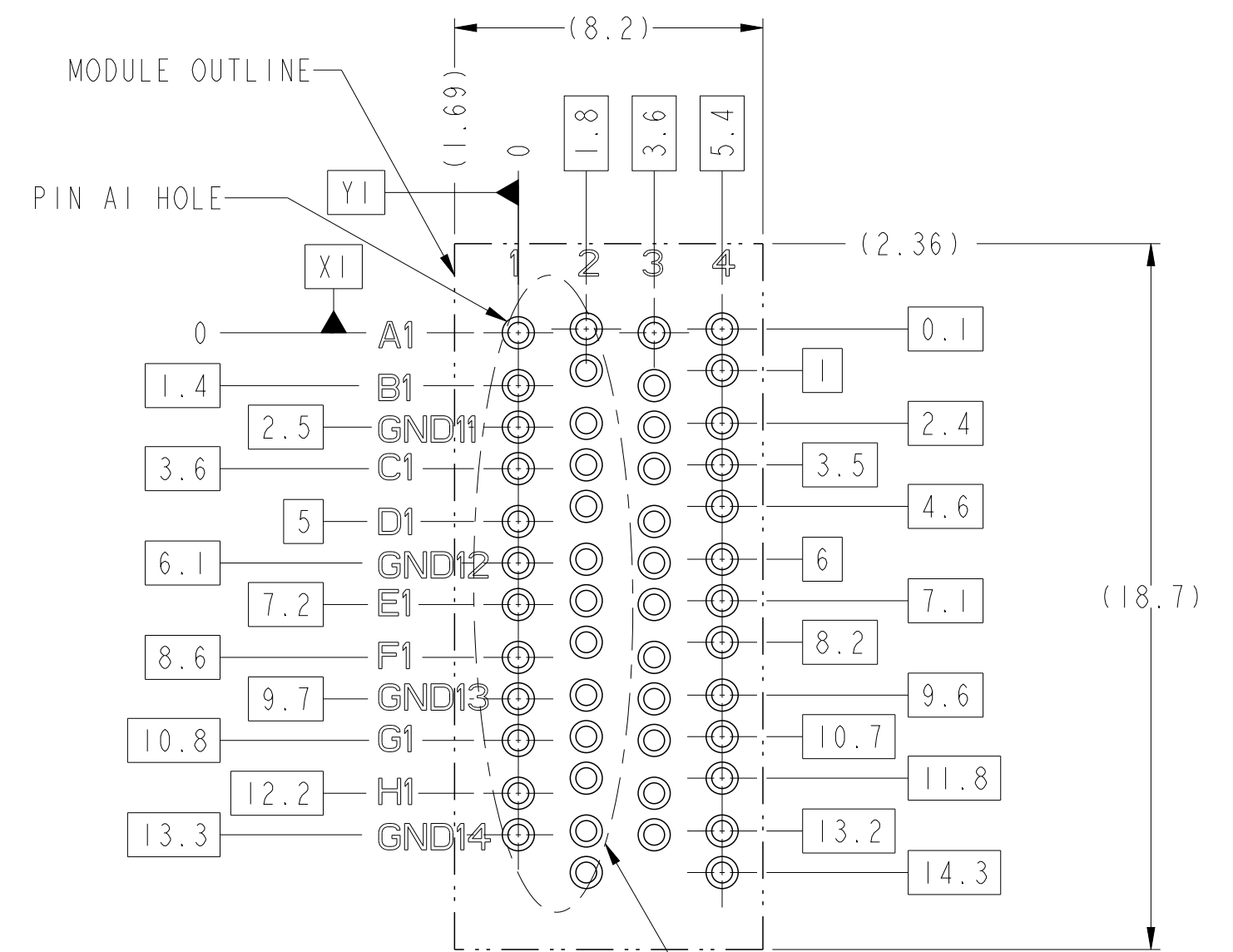
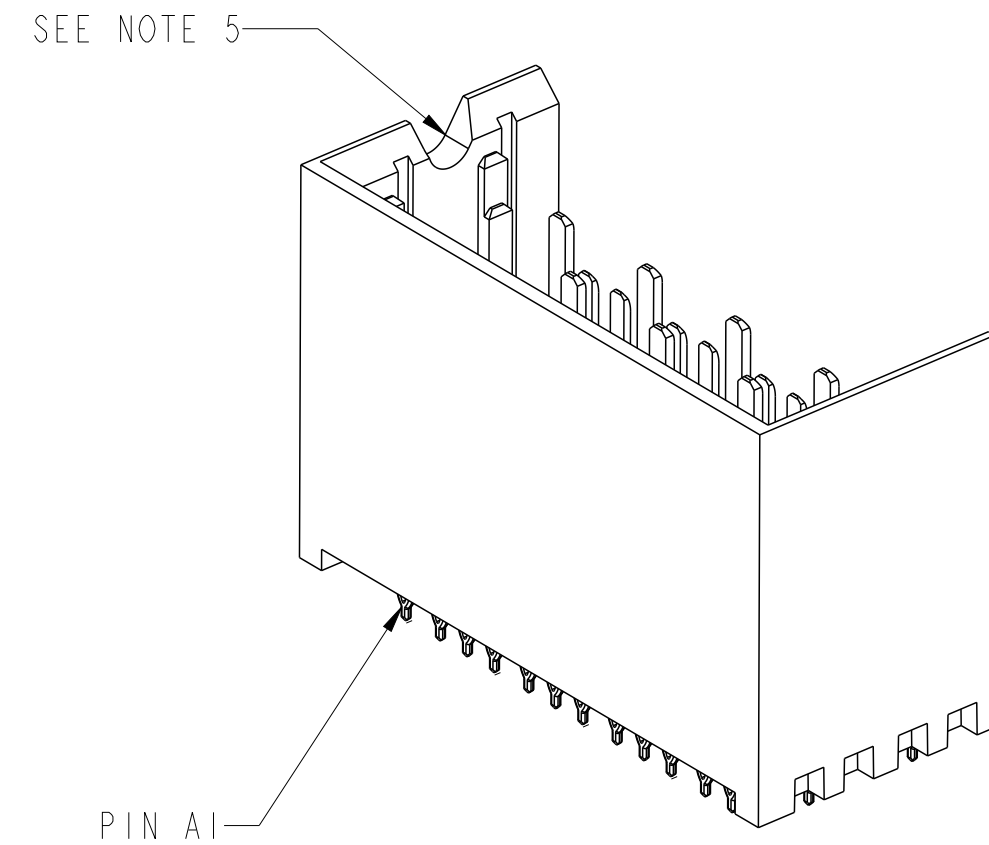
PDS: Rev :B

STATUS:Released

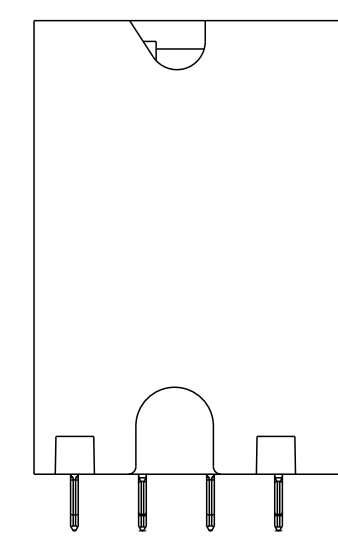
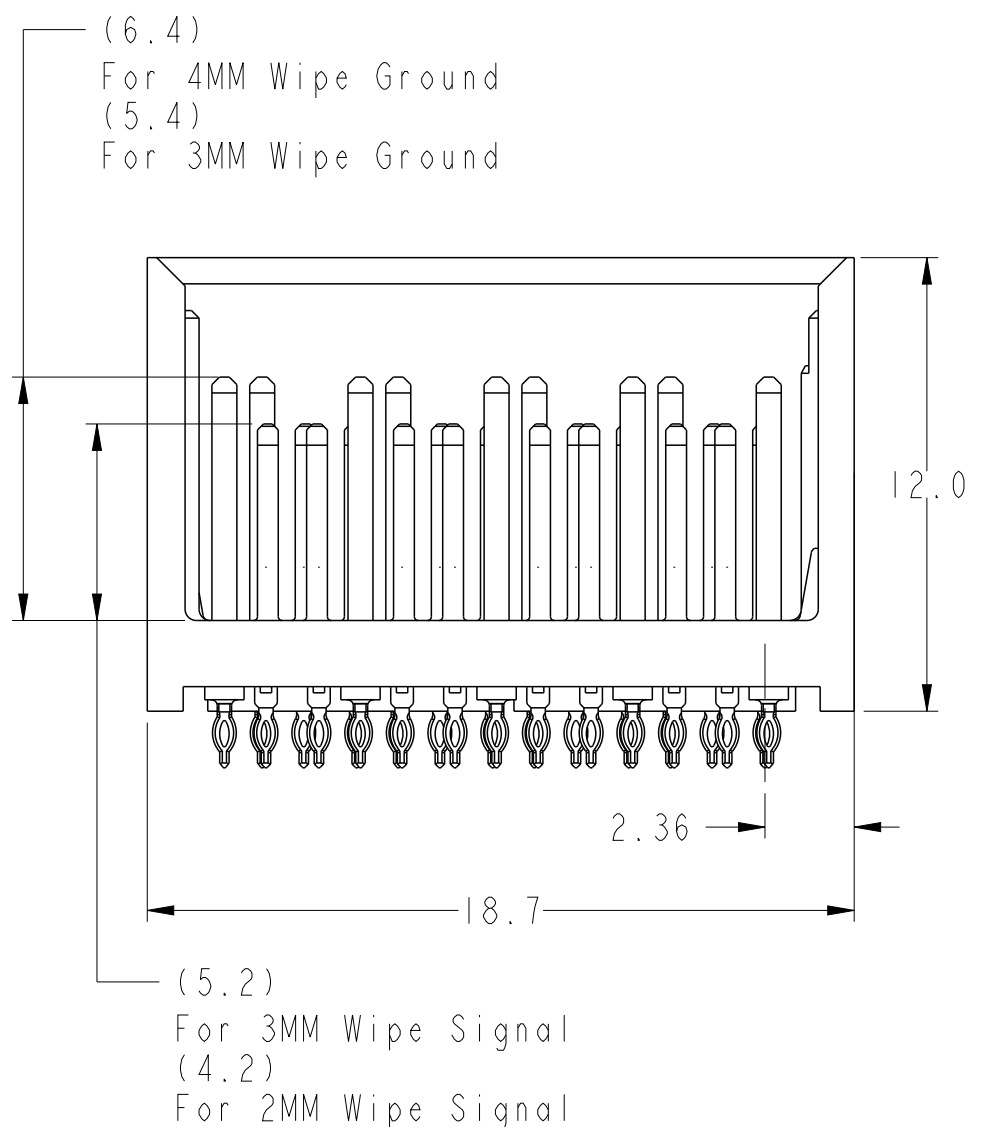
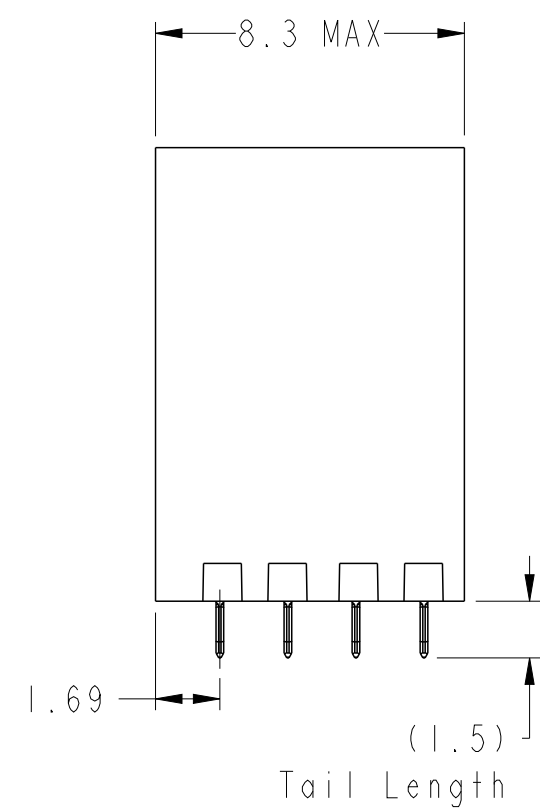
Printed: Apr 10, 2013



**LEFT WALL MODULE**



BP HOLE PATTERN COMPONENT SIDE  
**LEFT WALL MODULE BACKPLANE FOOTPRINT**



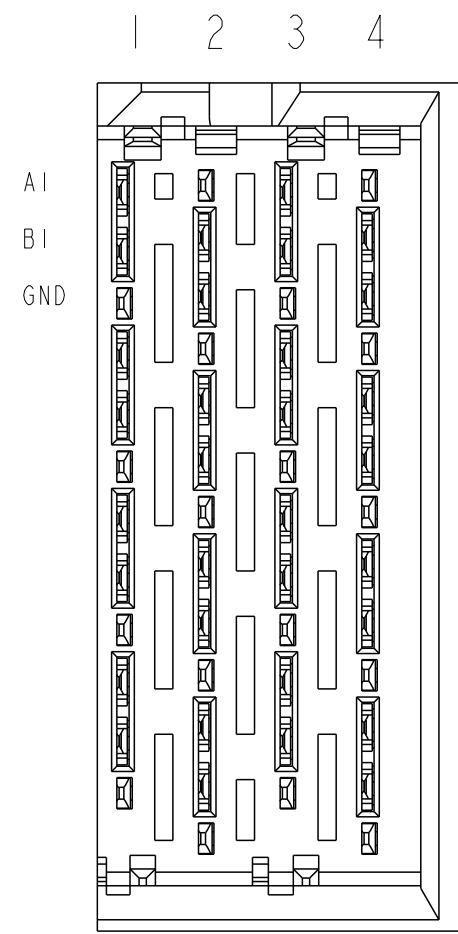
Copyright FCI.  
**FCI**

spec ref	-	dr	Yong-Keat Lim	2012/03/05	projection	mm	size	A2	scale	1:1	
tolerance std	ISO 406 ISO 1101	eng	Sandar Soe	2013/03/20		mm	ecn no	ELX-S-14229-1	rel level	Released	
TOLERANCES UNLESS OTHERWISE SPECIFIED		chr	-	appr							Chen-Hong Tan
surface	ISO 1302	linear	0.X	±0.3		<b>MODULE ASSEMBLY, XCEDE HD</b> Vertical Header, 4 Pair 4 Column	dwg no 10120126	rev B	cat. no. -	Product - Customer Drw	sheet 3 of 8
			0.XX	±0.10							
		angular	0°	±2°							

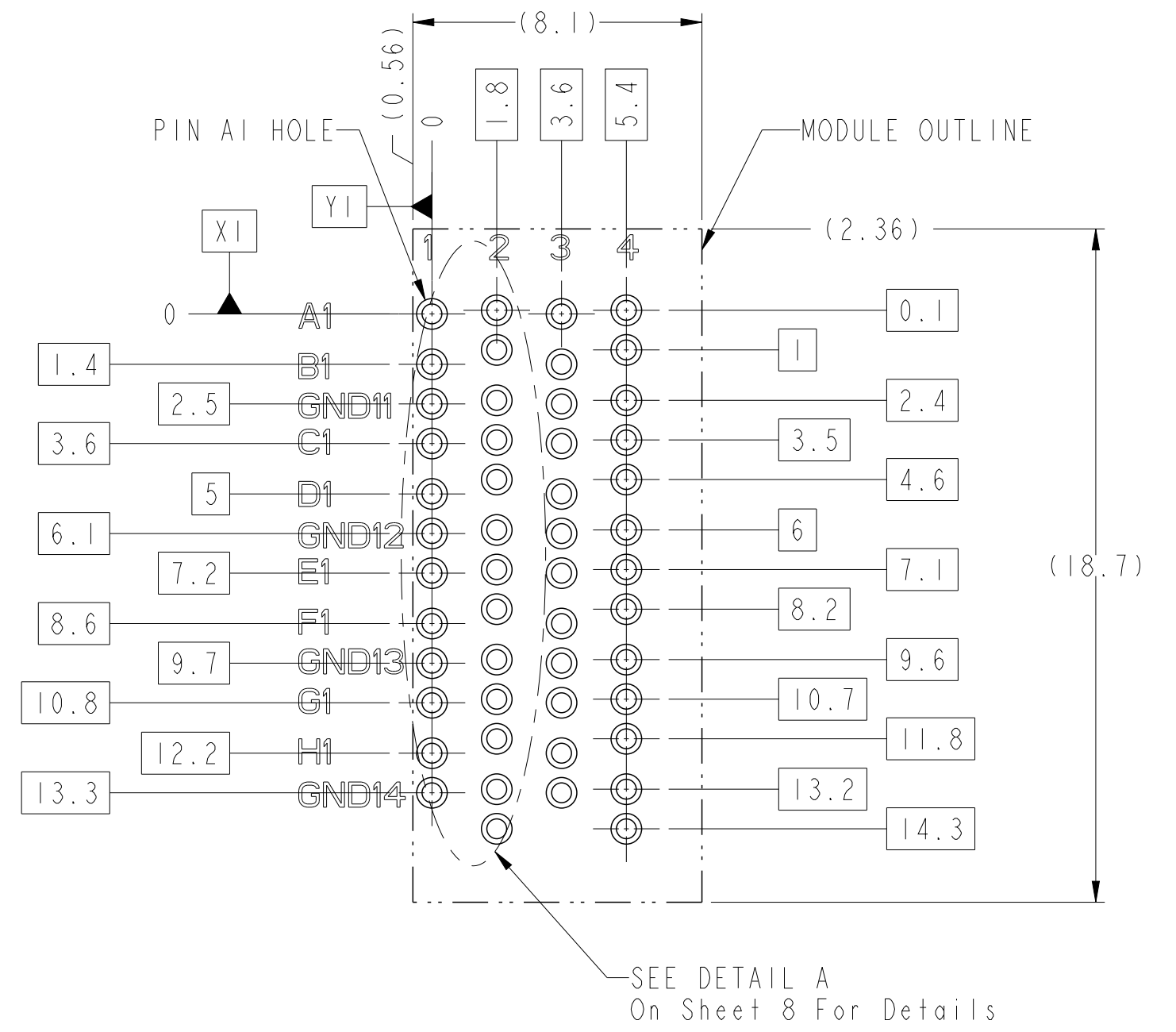
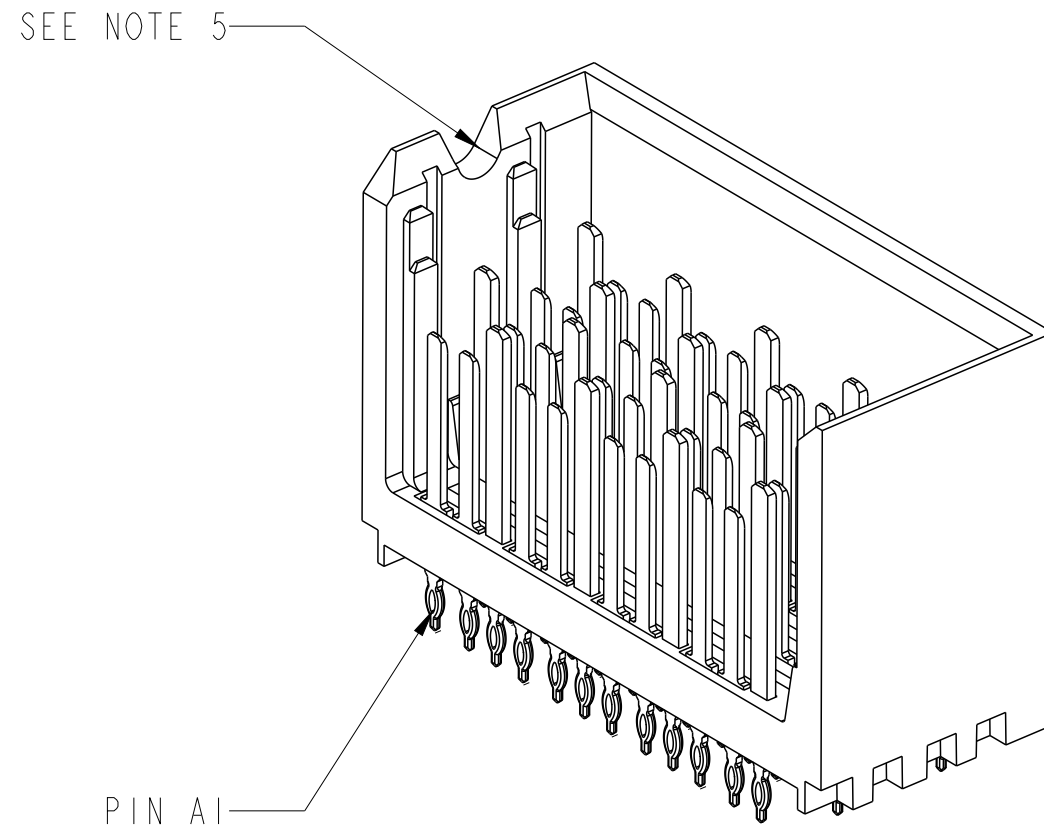
PDS: Rev :B

STATUS:Released

Printed: Apr 10, 2013

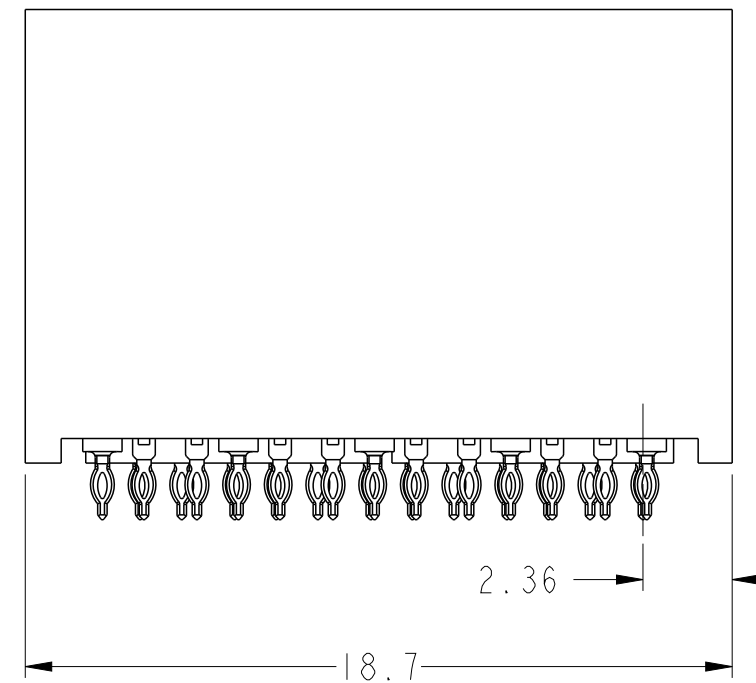
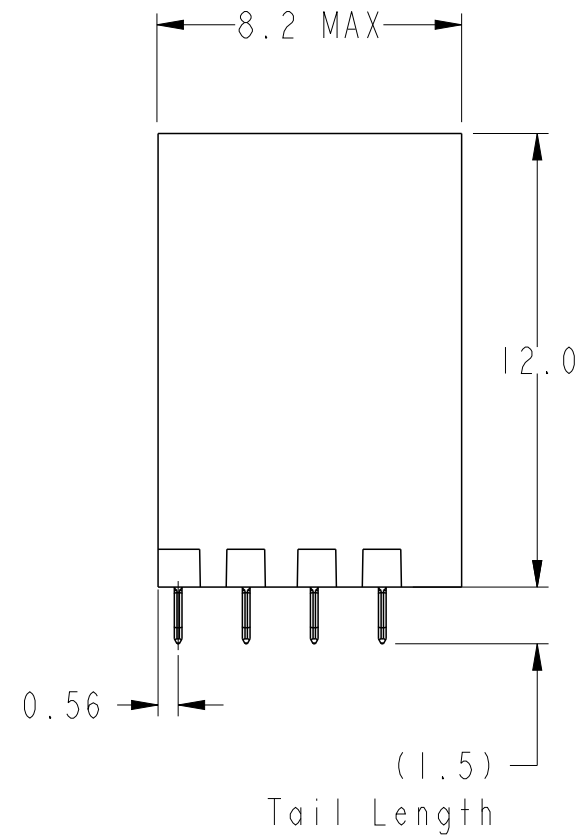
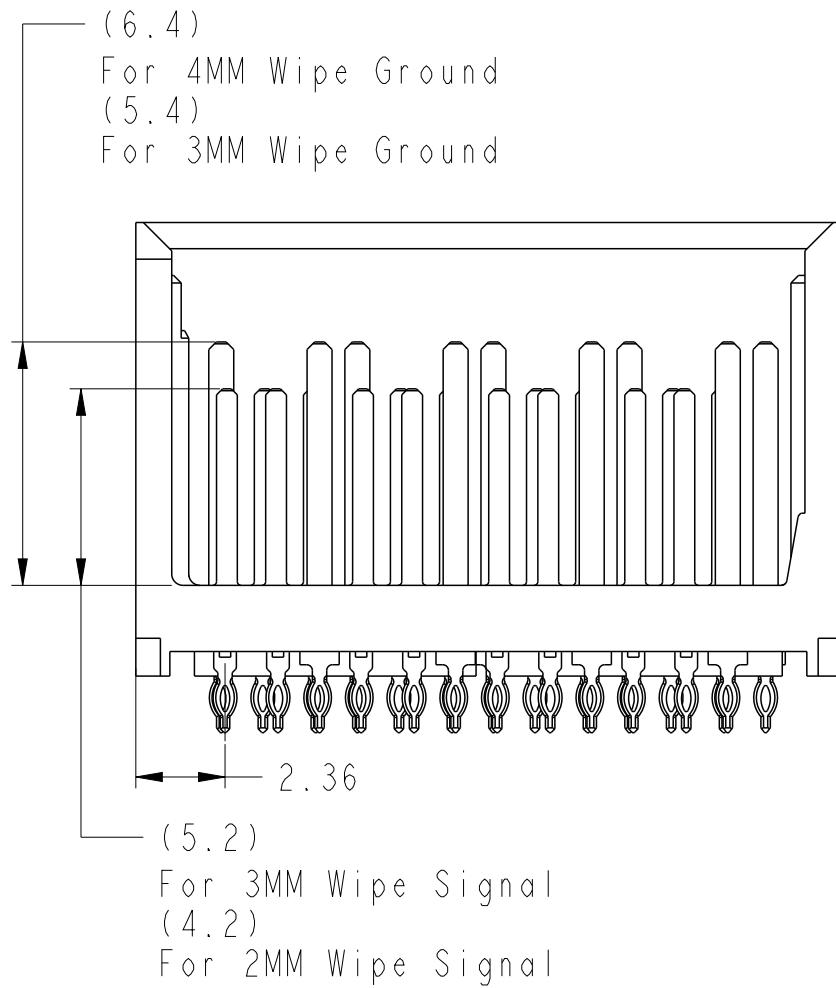


**RIGHT WALL MODULE**



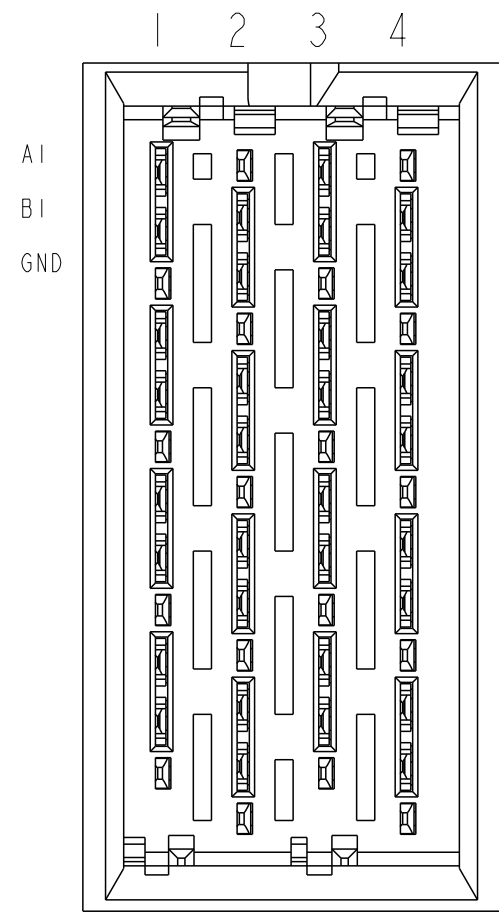
BP HOLE PATTERN COMPONENT SIDE

**RIGHT WALL MODULE BACKPLANE FOOTPRINT**

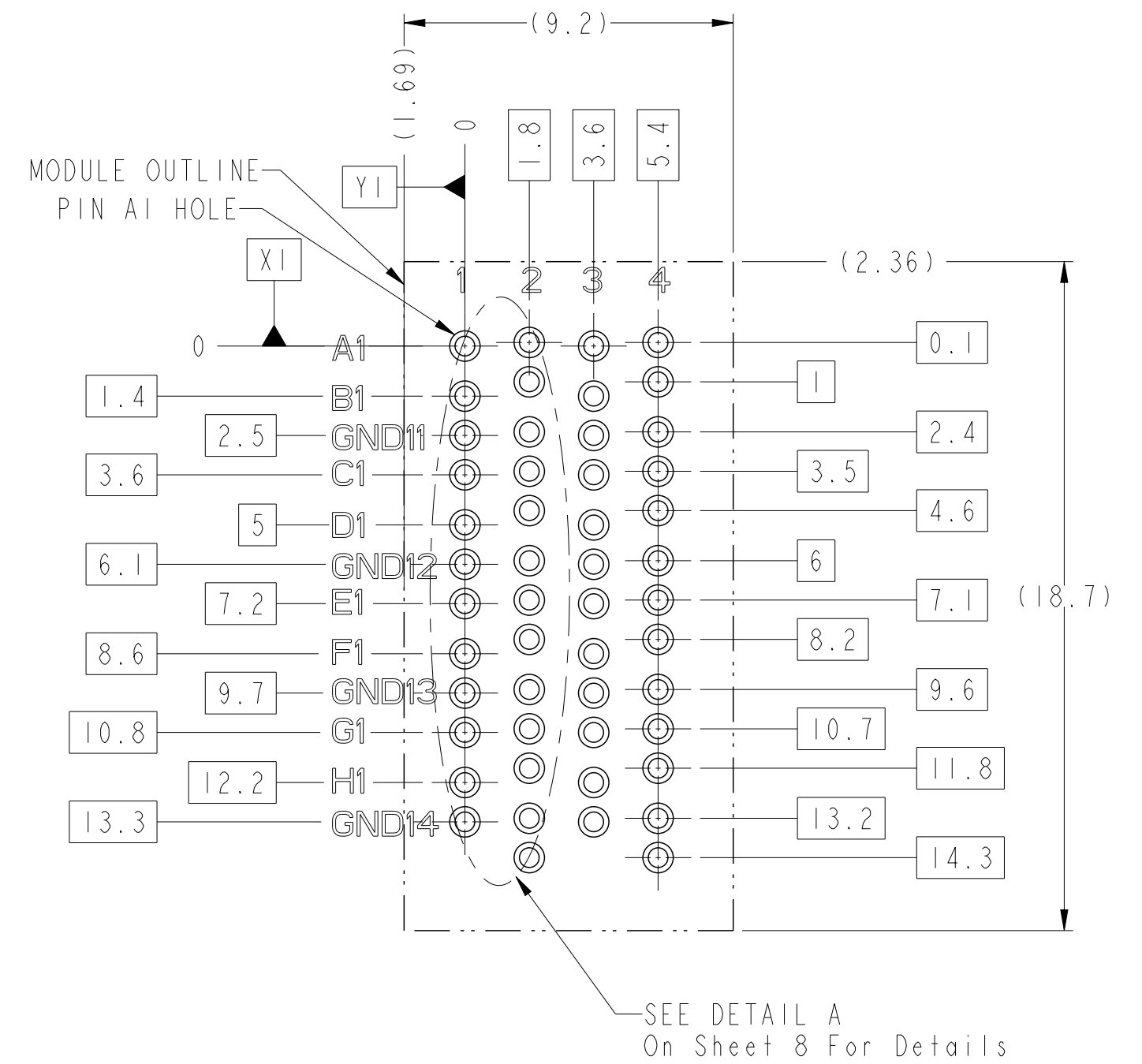
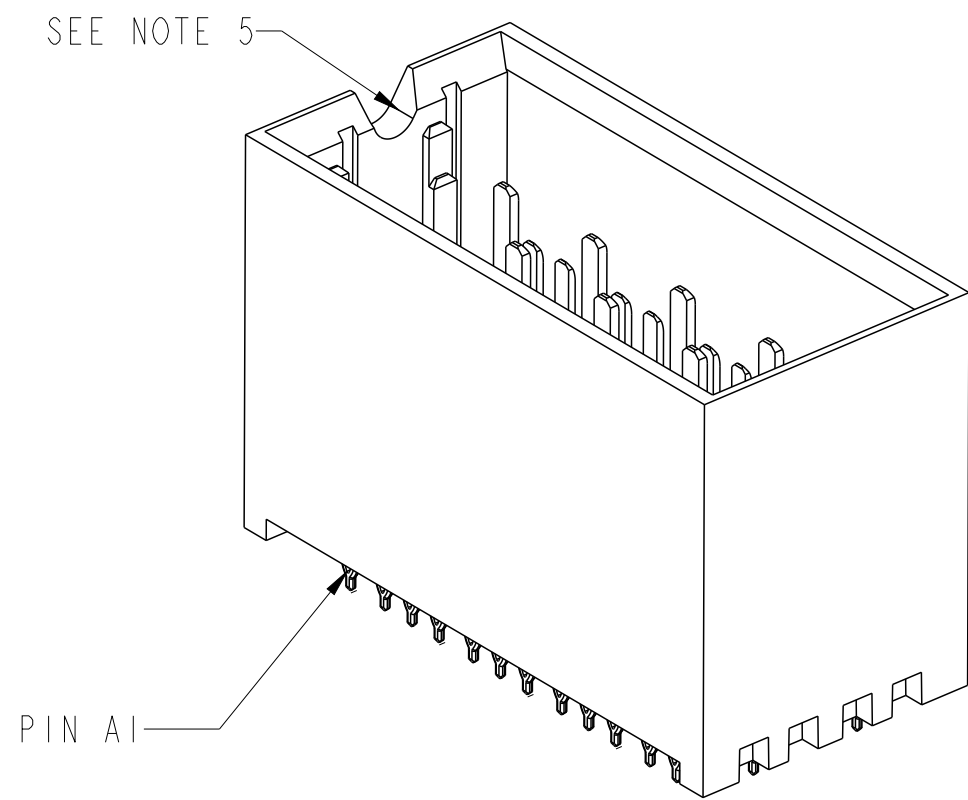


Copyright FCI.

spec ref	-	dr	Yong-Keat Lim	2012/03/05	projection	mm	size	A2	scale	1:1
tolerance std	ISO 406 ISO 1101	eng	Sandar Soe	2013/03/20		mm	ecn no	ELX-S-14229-1	rel level	Released
TOLERANCES UNLESS OTHERWISE SPECIFIED		chr	-	appr						
surface	ISO 1302	linear	0.X	±0.3		<b>MODULE ASSEMBLY, XCEDE HD</b> Vertical Header, 4 Pair 4 Column	dwg no 10120126	rev B	cat. no. - Product - Customer Drw sheet 4 of 8	
			0.XX	±0.10					www.fci.com	
			0.XXX	±0.05						
		angular	0°	±2°						

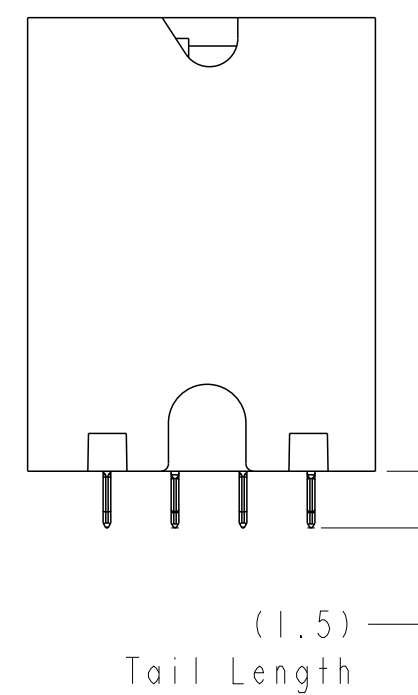
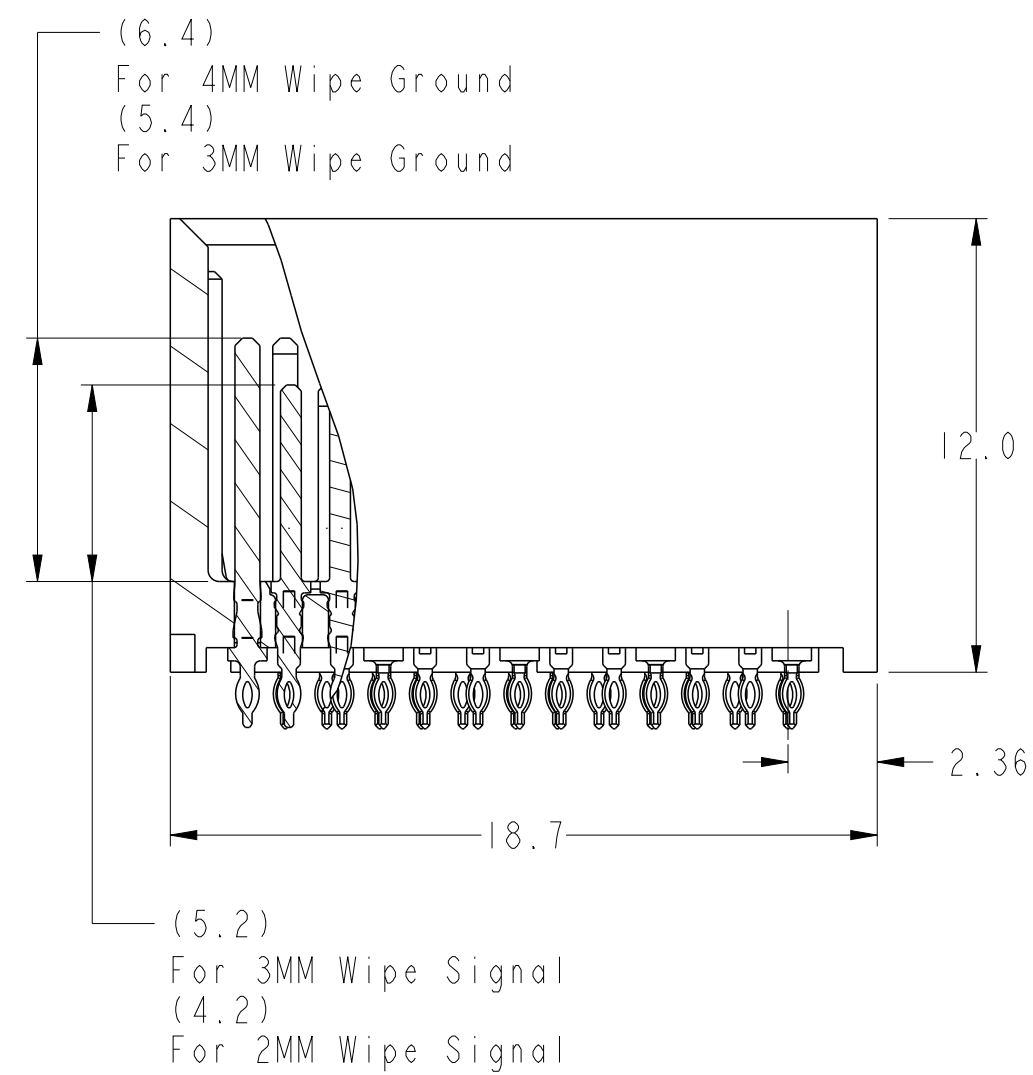
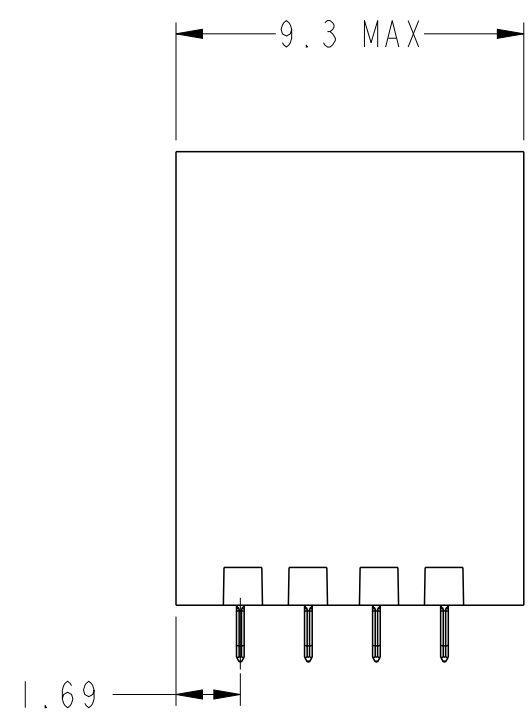


**TWO WALL MODULE**



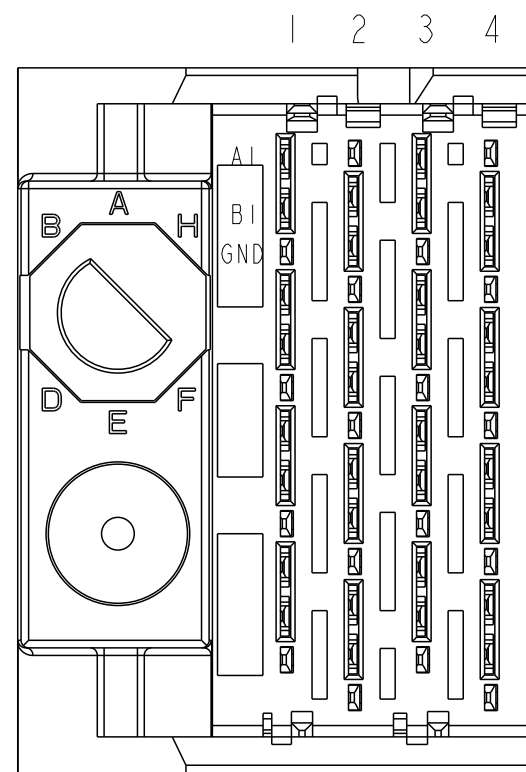
BP HOLE PATTERN COMPONENT SIDE

**TWO WALL MODULE BACKPLANE FOOTPRINT**

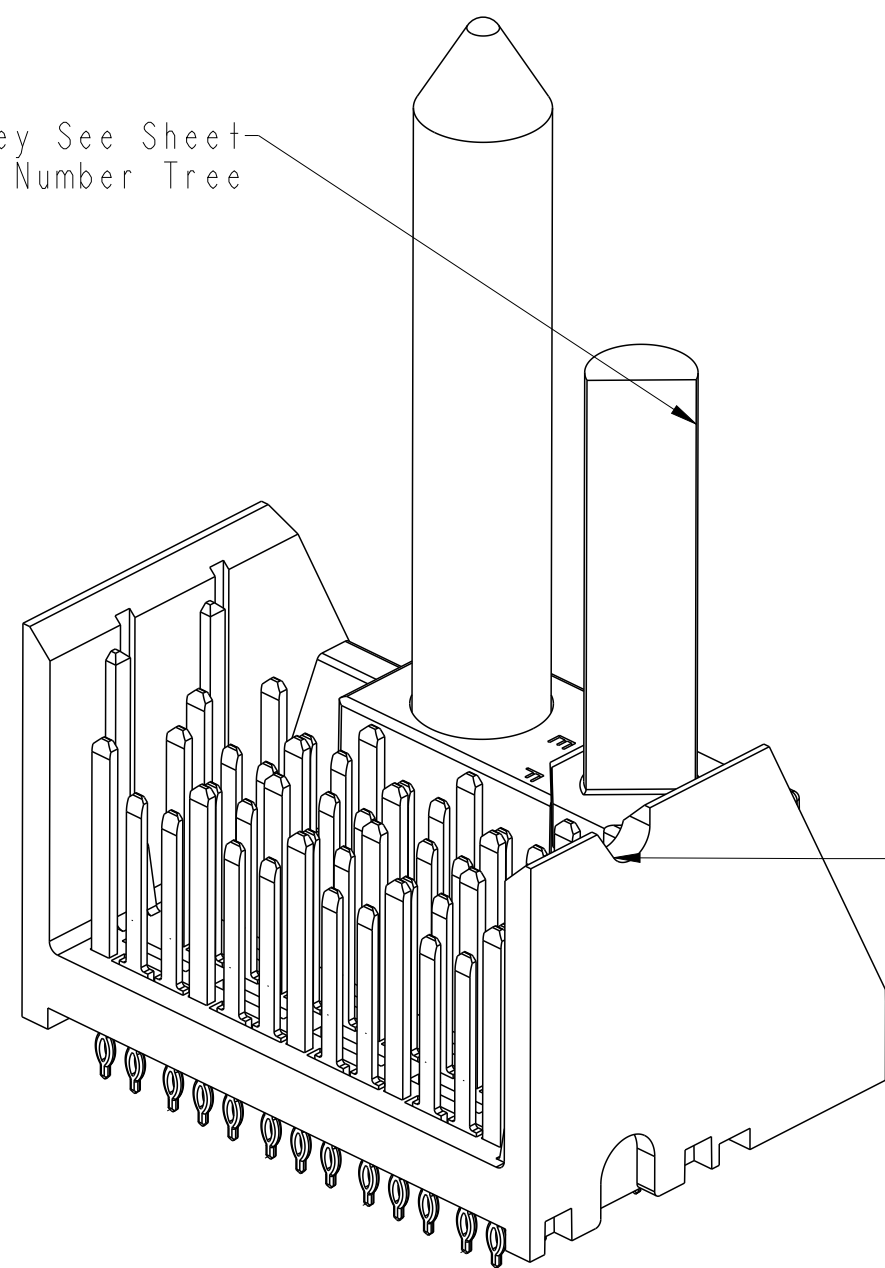


spec ref	-	dr	Yong-Keat Lim	2012/03/05	projection	mm	size	A2	scale	1:1
tolerance std	ISO 406 ISO 1101	eng	Sandar Soe	2013/03/20		mm	ecn no	ELX-S-14229-1	rel level	Released
TOLERANCES UNLESS OTHERWISE SPECIFIED		chr	-	appr						
surface	ISO 1302	linear	0.X	±0.3		<b>MODULE ASSEMBLY, XCEDE HD</b> Vertical Header, 4 Pair 4 Column	drg no 10120126	rev B	cat. no. Product - Customer Drw	sheet 5 of 8
			0.XX	±0.10						
		angular	0°	±2°						

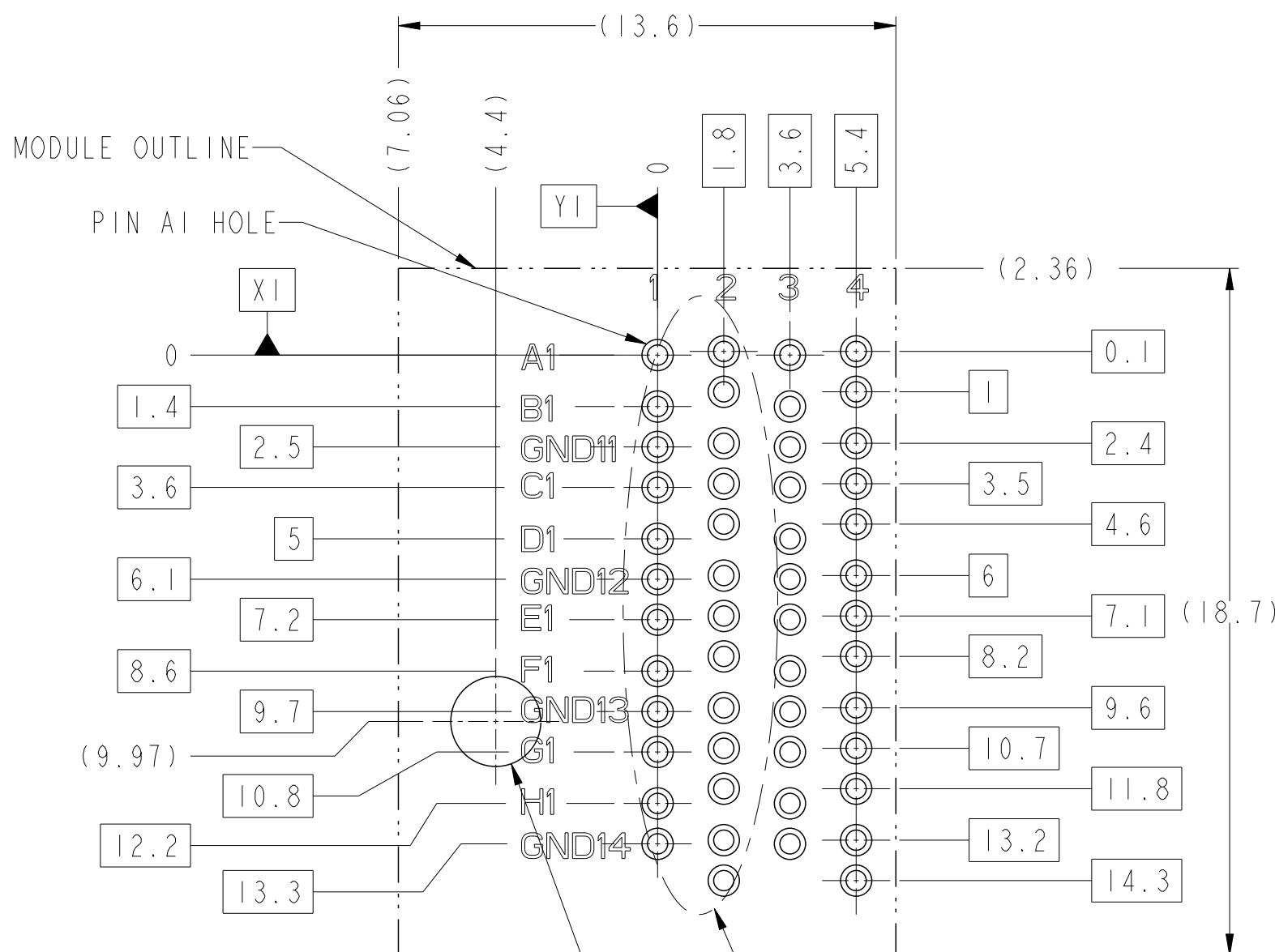




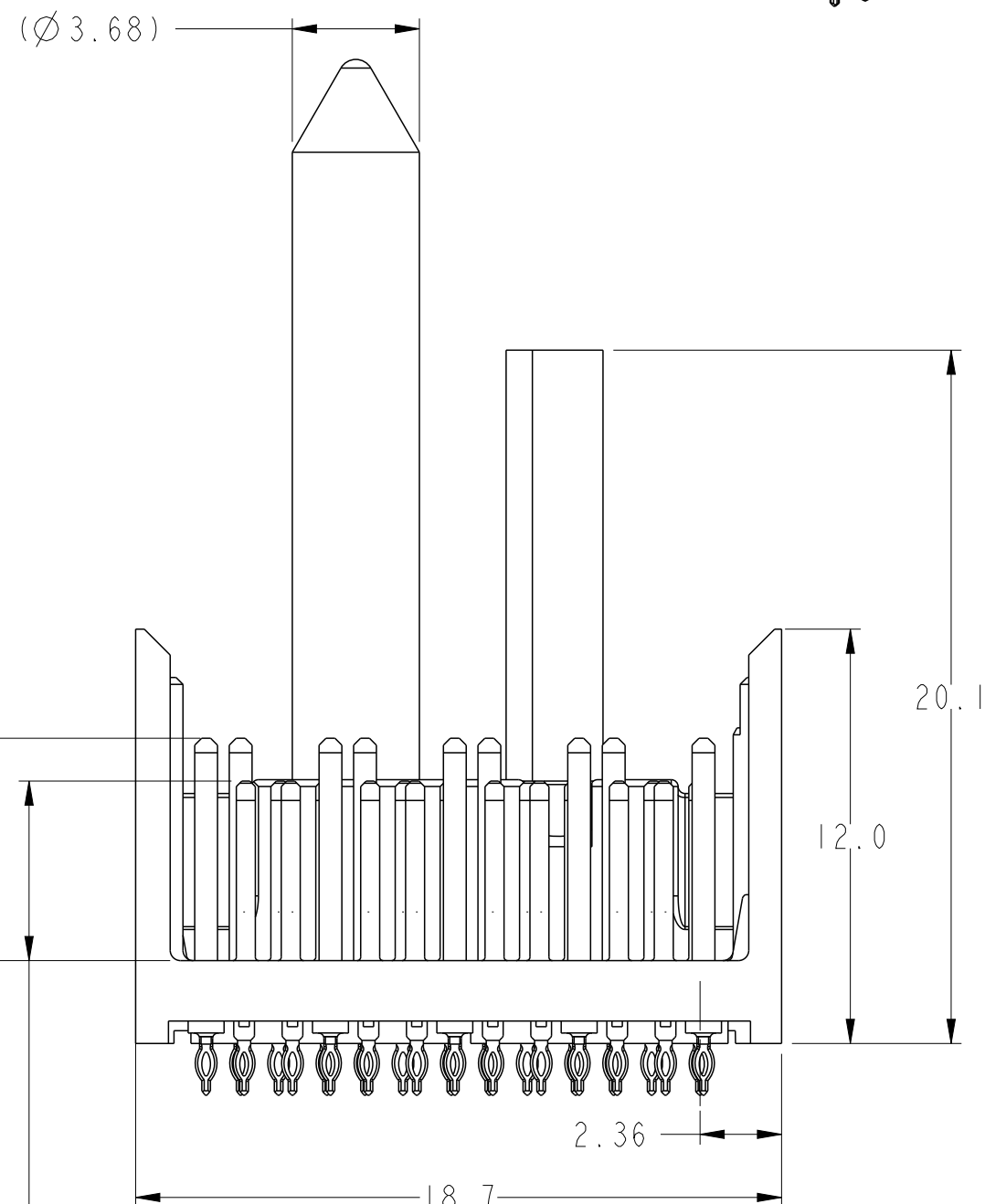
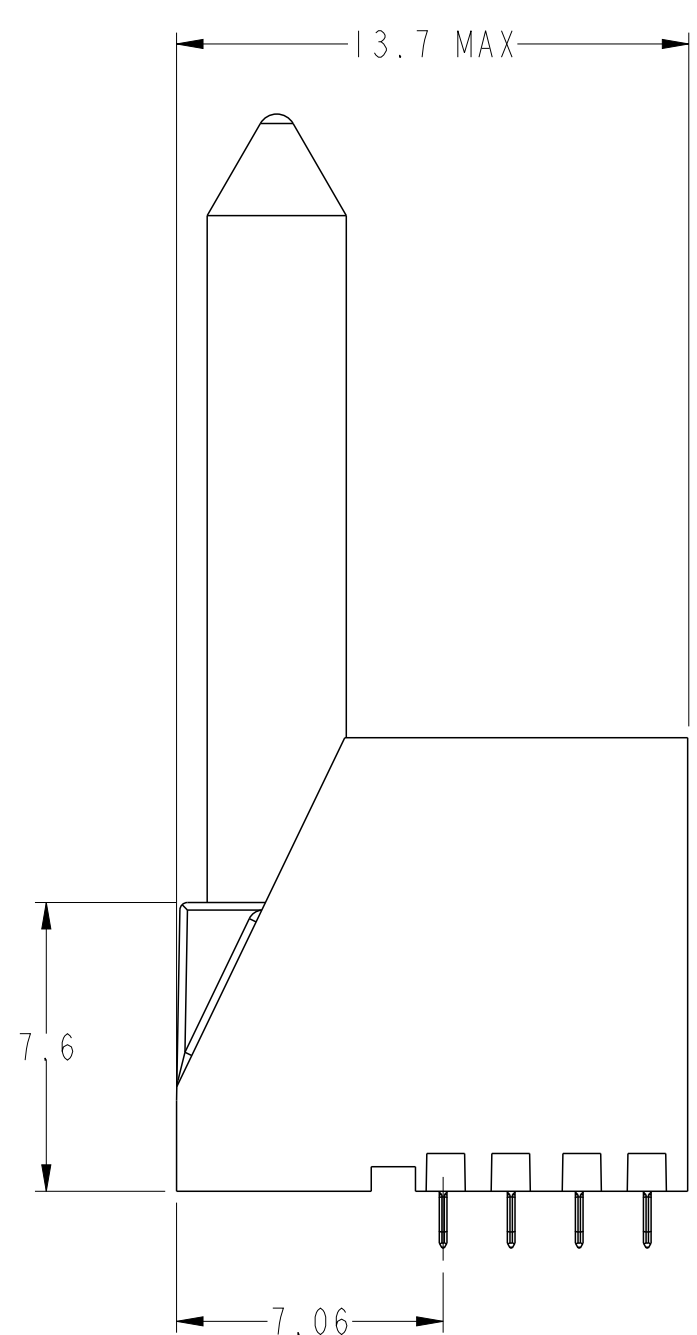
Optional Key See Sheet  
1 Part Number Tree



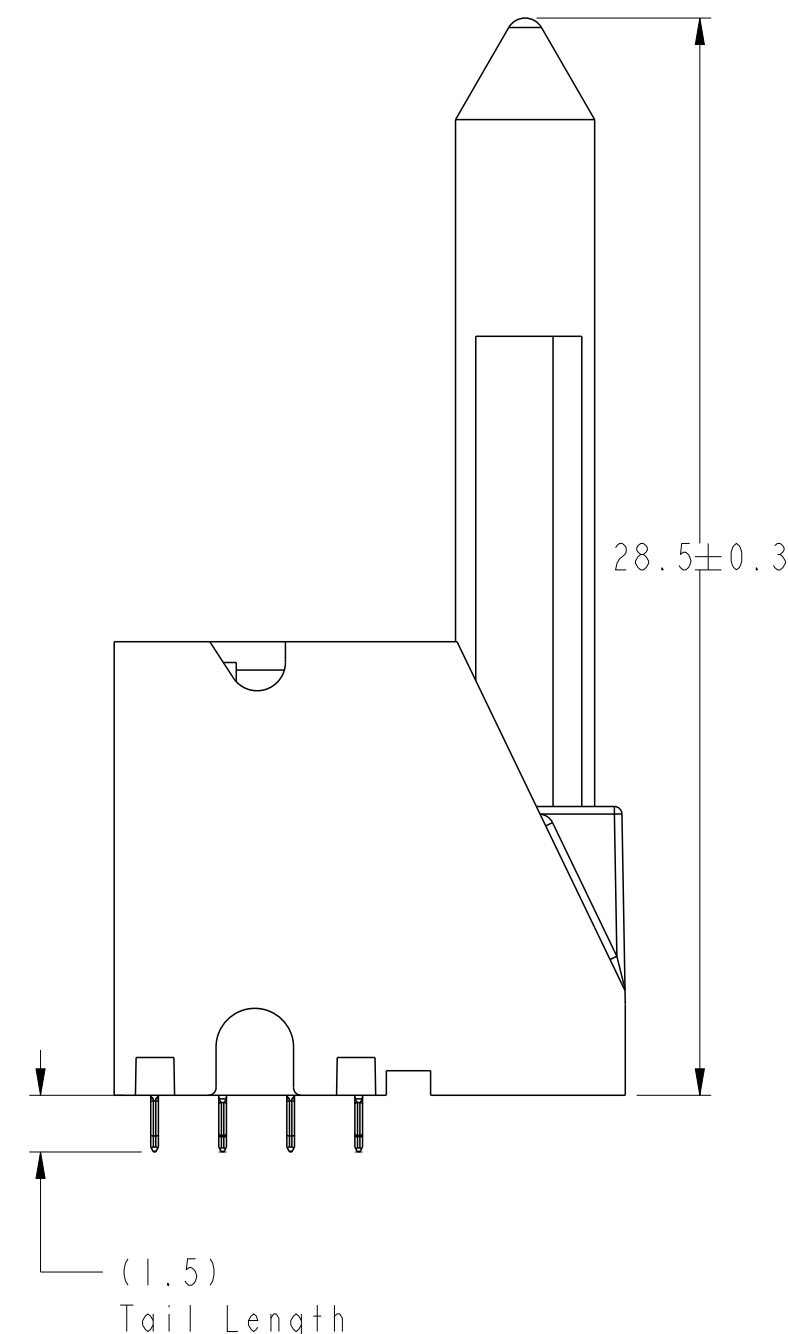
SEE NOTE 5



**LEFT POLARIZING/GUIDE MODULE**



(5.2)  
For 3MM Wipe Signal  
(4.2)  
For 2MM Wipe Signal  
(6.4)  
For 4MM Wipe Ground  
(5.4)  
For 3MM Wipe Ground

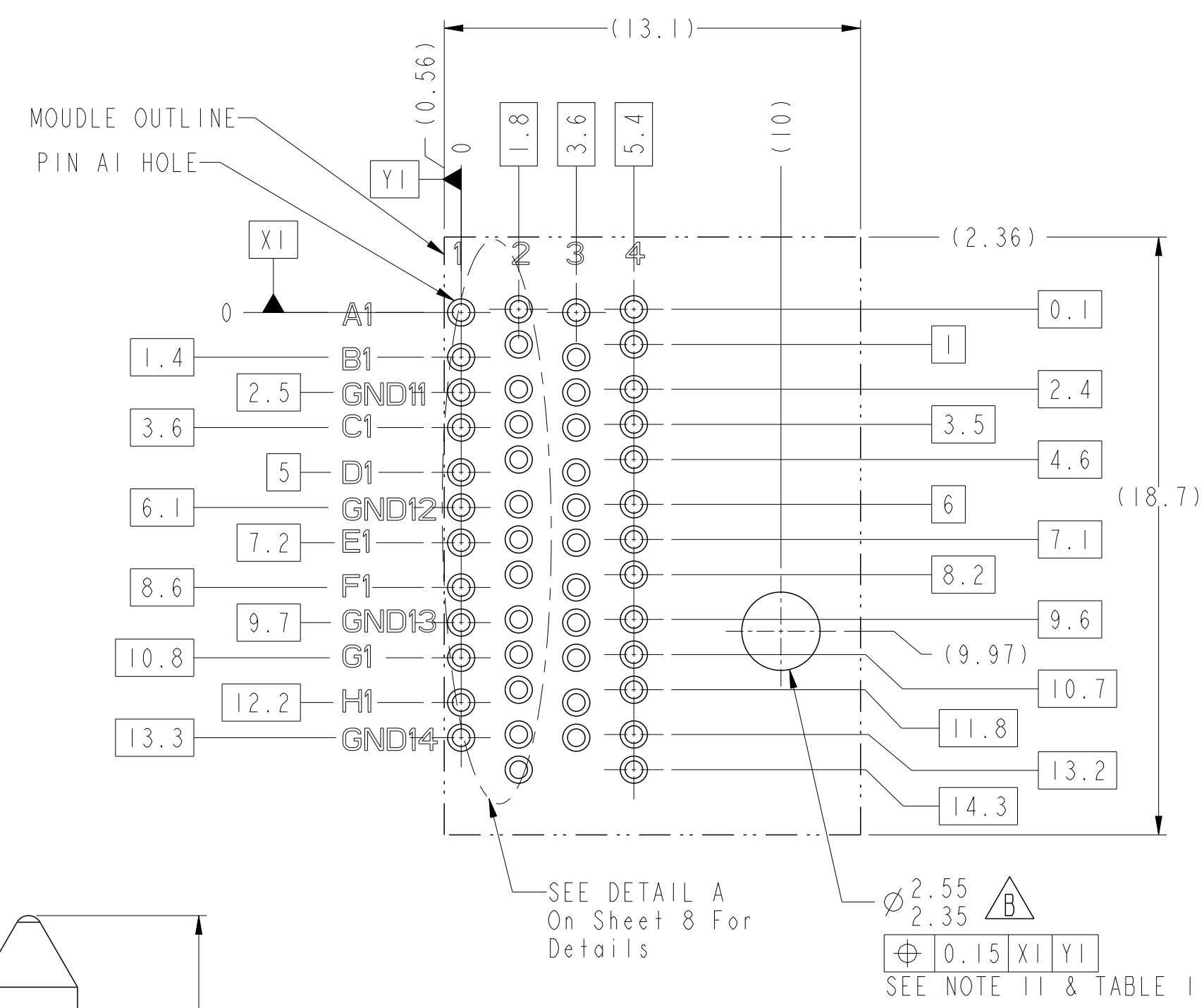
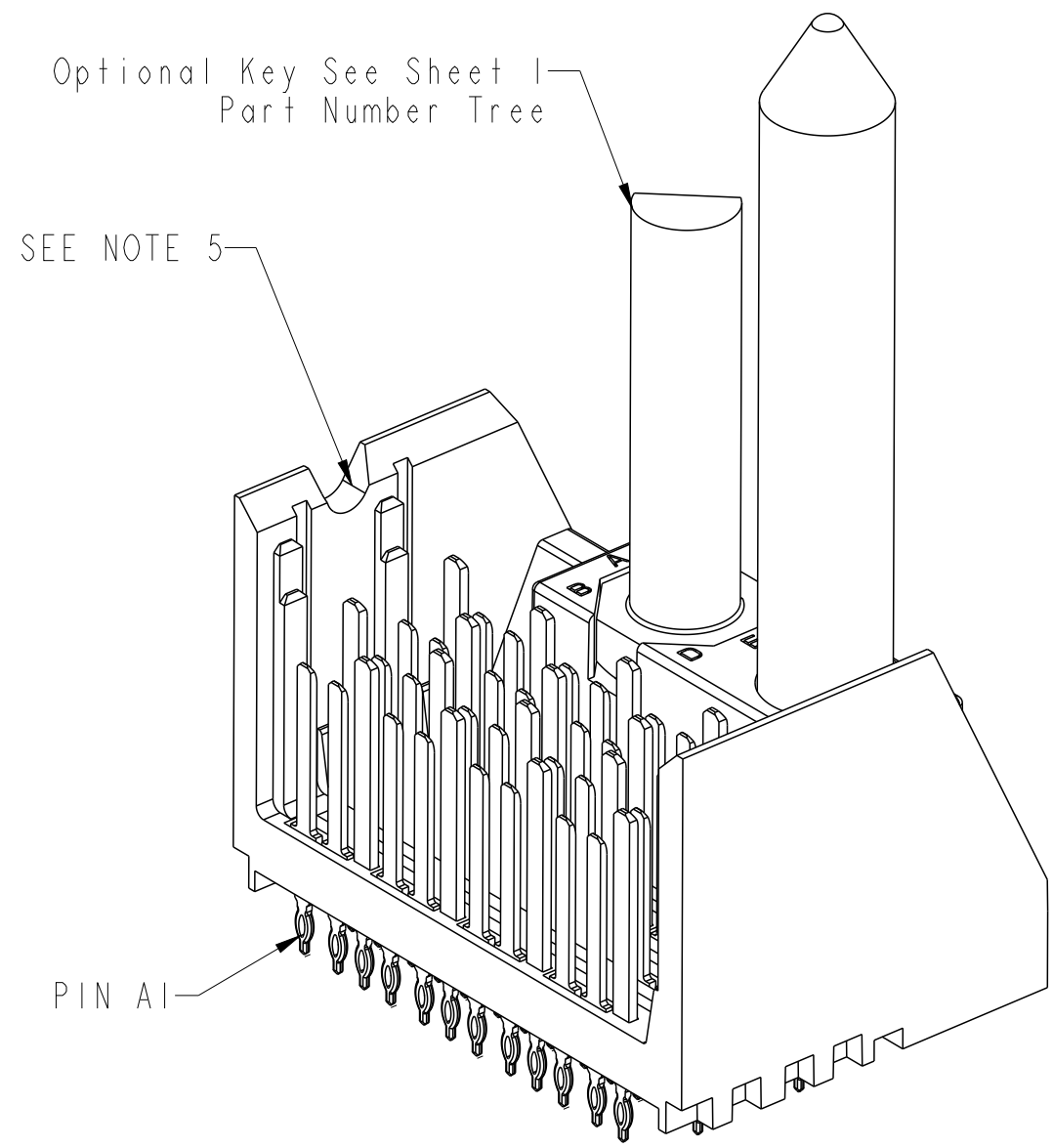
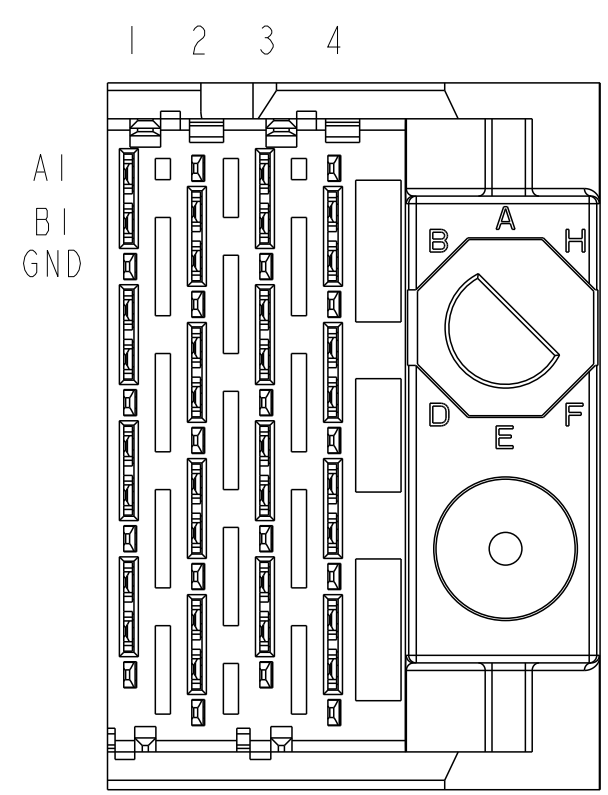


BP HOLE PATTERN COMPONENT SIDE  
**LEFT POLARIZING GUIDE MODULE  
BACKPLANE FOOTPRINT**

SEE DETAIL A  
OnSheet 8 For Details  
Ø 2.55  
2.35  
⊕ 0.15 XI YI  
SEE NOTE 11 & TABLE 1

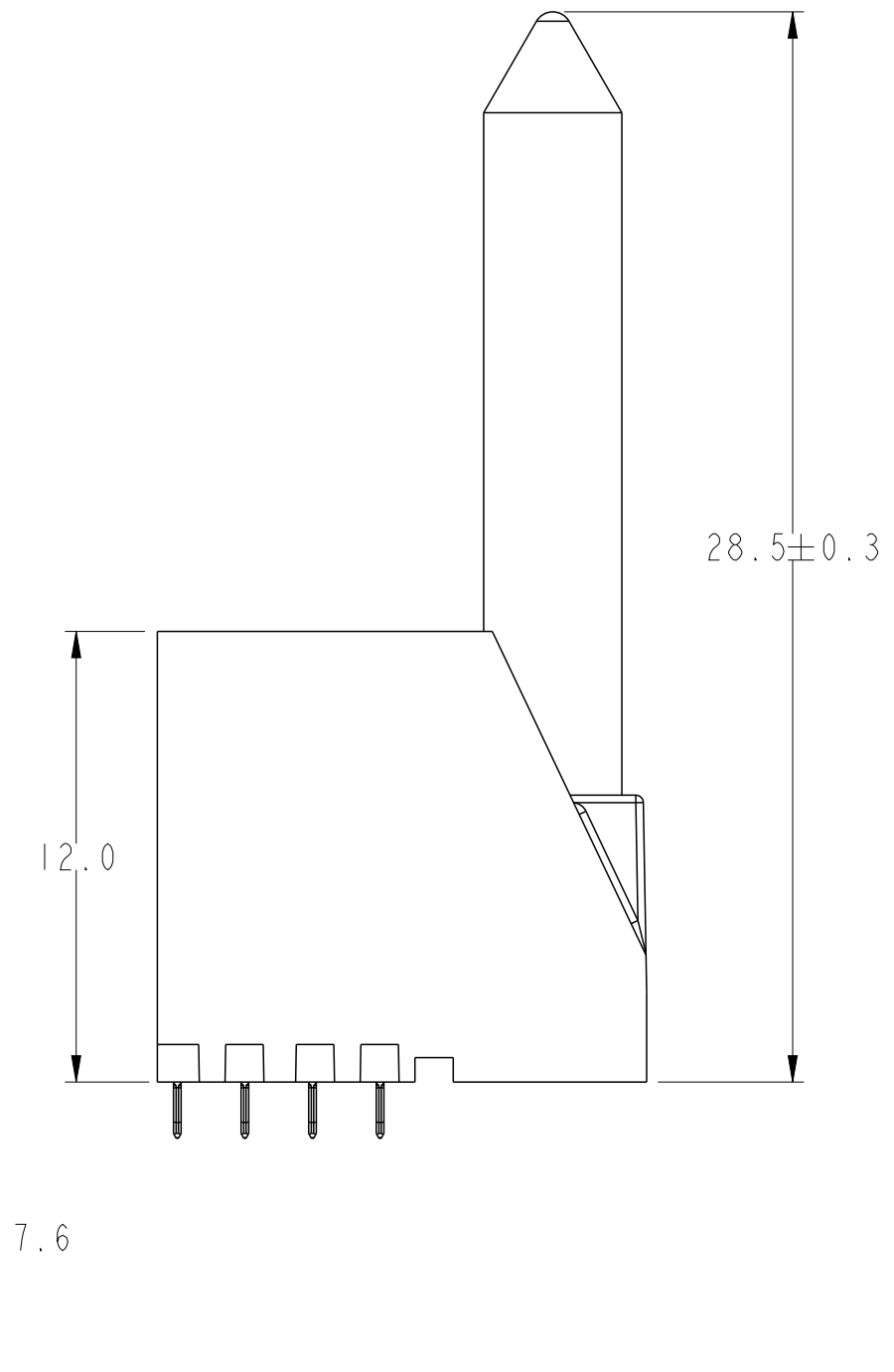
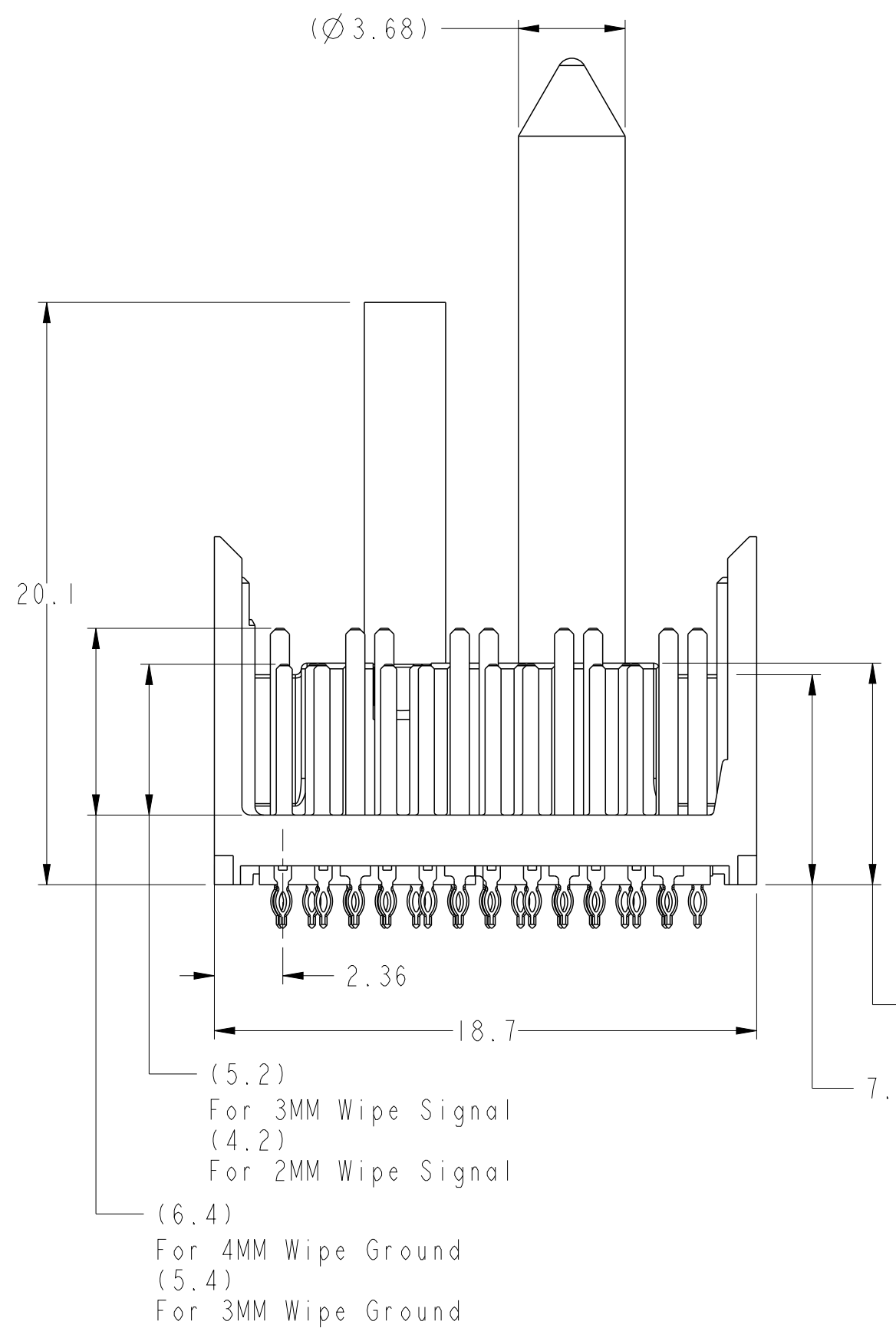
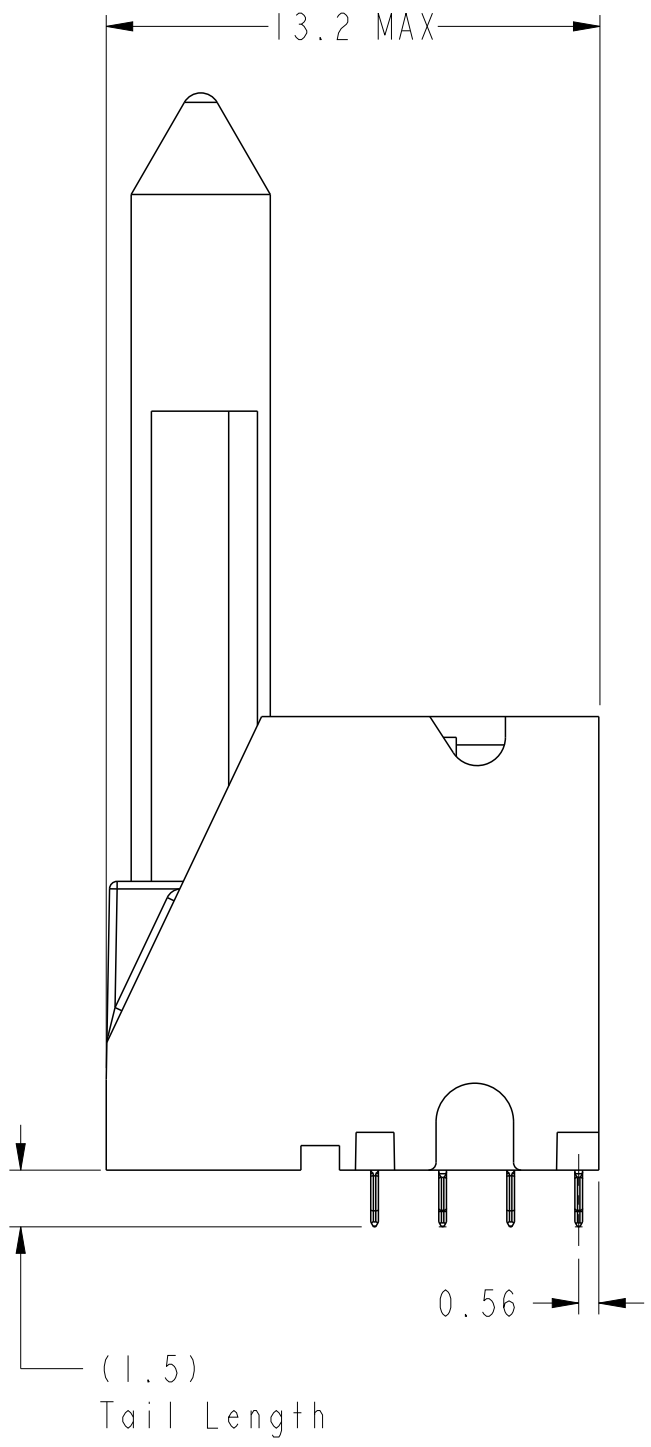
spec ref	-	dr	Yong-Keat Lim	2012/03/05	projection	mm	size	A2	scale	1:1
tolerance std	ISO 406 ISO 1101	eng	Sandar Soe	2013/03/20	chr	-	ecn no	ELX-8-14229-1	rel level	Released
surface	ISO 1302	appr	Chen-Hong Tan	2013/04/09	product family	-	cat. no.	Product - Customer Drw	sheet	6 of 8
linear	0.X ±0.3 0.XX ±0.10 0.XXX ±0.05	angular	0° ±2°			<b>MODULE ASSEMBLY, XCEDE HD</b> Vertical Header, 4 Pair 4 Column	10120126	rev <b>B</b>		

Copyright FCI.  
FCI

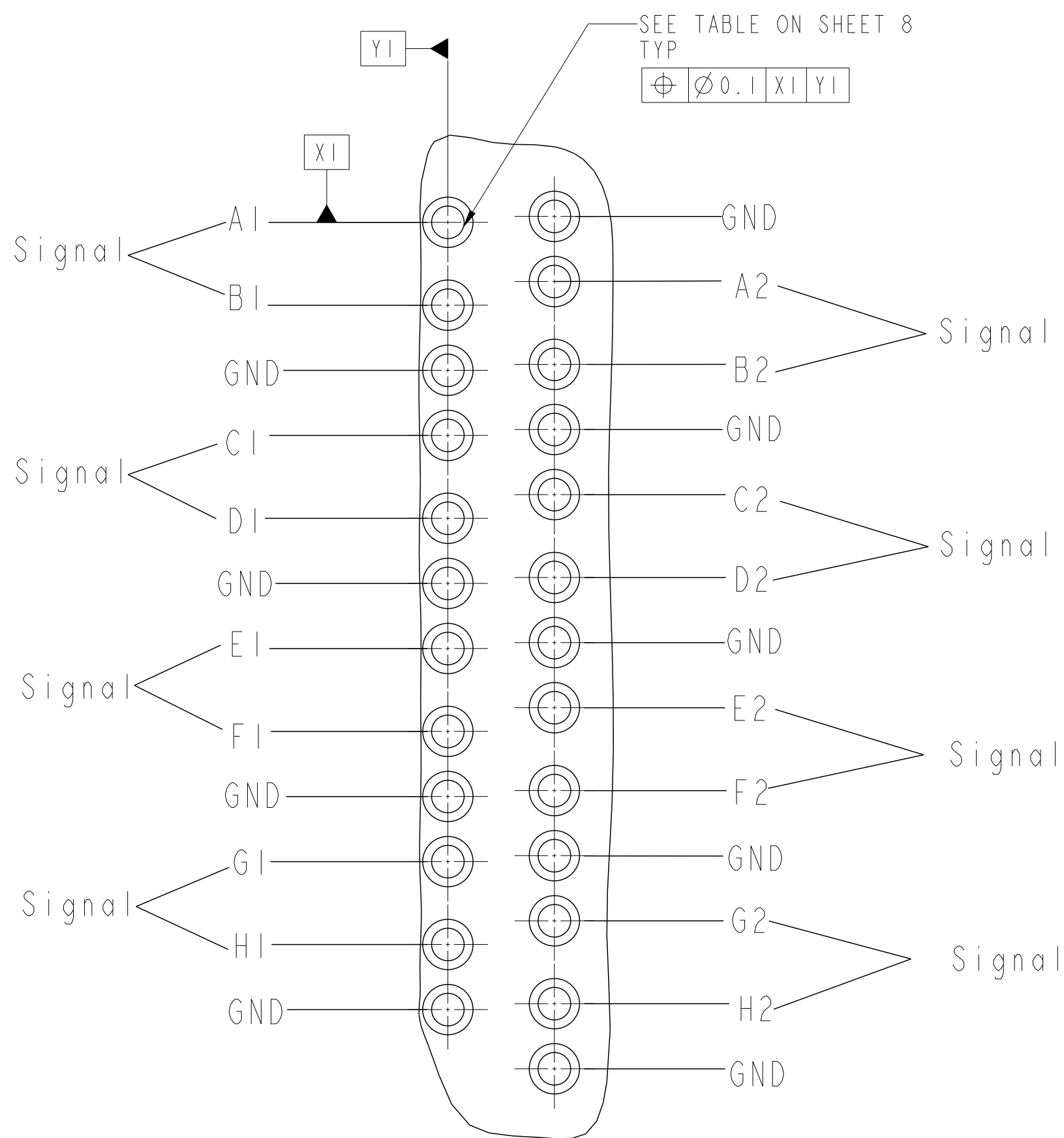


**RIGHT POLARIZING/GUIDE MOUDLE**

**RIGHT POLAIZING/GUIDE MODULE  
BACKPLANE FOOTPRINT**



spec ref	-	dr	Yong-Keat Lim	2012/03/05	projection	mm	size	A2	scale	1:1
tolerance std	ISO 406 ISO 1101	eng	Sandar Soe	2013/03/20		mm	ecn no	ELX-S-14229-1		
TOLERANCES UNLESS OTHERWISE SPECIFIED		chr	-	rel level				Released		
surface	ISO 1302	appr	Chen-Hong Tan	2013/04/09	product family	-	rel level	Released	title	MODULE ASSEMBLY, XCEDE HD
linear	0.X ±0.3 0.XX ±0.10 0.XXX ±0.05	www.fci.com	cat. no.	-	Product - Customer Draw	sheet 7 of 8	rev	B	dwg no	10120126
angular	0° ±2°									



DETAIL A  
SCALE 12:1

TABLE 3		
	COMPLIANT PIN DRILL $\varnothing 0.55 [0.0217"]$	COMPLIANT PIN DRILL $\varnothing 0.45 [0.0177"]$
PTH	$\varnothing 0.45 \pm 0.05$	$\varnothing 0.36 \pm 0.05$
DRILL	$\varnothing 0.55 [0.0217"]$	$\varnothing 0.45 [0.0177"]$
PAD	$\varnothing 0.85$	$\varnothing 0.75$

NOTES:

1. CONNECTOR MATERIALS  
SHROUD : HIGH-TEMP POLYMER, COLOR : BLACK, UL94V-0  
CONTACTS : HIGH PERFORMANCE COPPER ALLOY
2. PRODUCT SPECIFICATION : GS-12-0936
3. APPLICATION SPECIFICATION : GS-20-0348
4. PRODUCT MARKING :  
PART NUMBER (10120126-X0J-XXXLF)  
"FCI" AND DATE CODE (FCI P#####)
5. NOTCH DESIGNATES "ROW A" SIDE OF CONNECTOR. NOTCH FEATURE ON OPPOSITE FOR PRODUCT MARKING.
6. PLATING THICKNESS OF SIGNAL & GROUND CONTACT ARE DETERMINED BY PLATING CODE, REFER TO P/N TREE ON SHEET 1.
7. PACKAGING MEETS GS-14-920 LEAD-FREE LABELING SPECIFICATION.
8. GUIDE-PIN STYLE DESIGNATION ONLY APPLIES TO MODULE VERSIONS THAT REQUIRE GUIDE-PIN HARDWARE. FOR ALL NON-GUIDE-PIN VERSIONS, THE DEFAULT DASH-NUMBER DIGIT IN THAT LOCATION IS STILL '0'.
9. SEE APPLICATION SPECIFICATION FOR ROUTING GUIDELINES, ADDITIONAL PTH GUIDELINES, MATED DIMENSIONS, GUIDE PIN SELECTION, ETC.
10. A  $\triangle B$  SYMBOL WILL BE NEXT TO ANY DIMENSION, VIEW OR NOTE THAT HAS BEEN MODIFIED WITH THE CURRENT DRAWING REVISION.
11. OPTIONAL HOLE LOCATION FOR GROUNDED PIN OR ADDITIONAL GUIDE-PIN SUPPORT. SEE TABLE 1 SHEET 1 FOR ADDITIONAL DETAILS.
12. SCREW IS OPTIONAL AND ENGAGES WITH BOTTOM OF GUIDE PIN FROM BENEATH THE PCB FOR ADDITIONAL GUIDE-PIN SUPPORT.

spec ref	-	dr	Yong-Keat Lim	2012/03/05	projection	mm	size	A2	scale	1:1
tolerance std	ISO 406 ISO 1101	eng	Sandar Soe	2013/03/20		mm	ecn no	ELX-8-14229-1	rel level	Released
TOLERANCES UNLESS OTHERWISE SPECIFIED		chr	-	appr						
surface	ISO 1302	linear	0.X	$\pm 0.3$			product family	-	title	MODULE ASSEMBLY, XCEDE HD
			0.XX	$\pm 0.10$			cat. no.	-	Product - Customer Drw	10120126
		angular	0°	$\pm 2^\circ$			diag no	-	rev	B
<p>www.fci.com</p>										