

10120130 - X0J - XXXLF

LEAD-FREE DESIGNATION ONLY WITH APPLICABLE PLATING CODES

LETTER	PLATING (SEE NOTE 6)	
	APPLICATION	TYPE (REFERENCE)
B	TELCORDIA CO	0.76µm GOLD or GXT
C	TELCORDIA UE	1.27µm GOLD
D	TELCORDIA CO	0.76µm GOLD or GXT, LEAD-FREE
E	TELCORDIA UE	1.27µm GOLD, LEAD-FREE

4-COLUMN DIFFERENTIAL SIGNAL

NUMBER	GUIDE PIN STYLE (SEE NOTE 8)
0	STANDARD GUIDE PIN, MACHINED
1	STANDARD GUIDE PIN, ROLLED

MODULE DESCRIPTION	LETTER DESIGNATION REPRESENTED IN DASH NUMBER										BASE MODULE
LEFT POLARIZING GUIDANCE MODULE (SEE SHEET 6)	N	J	A	B	C	D	E	F	G	H	
	NO KEY NO GUIDE PIN										
RIGHT POLARIZING GUIDANCE MODULE (SEE SHEET 7)	Z	Y	P	Q	R	S	T	U	V	W	
	NO KEY NO GUIDE PIN										
OPEN MODULE (TWO WALL) (SEE SHEET 2)	0 (ZERO)										
LEFT WALL MODULE (SEE SHEET 3)	L										
RIGHT WALL MODULE (SEE SHEET 4)	M										
FOUR WALL MODULE (SEE SHEET 5)	I (ONE)										

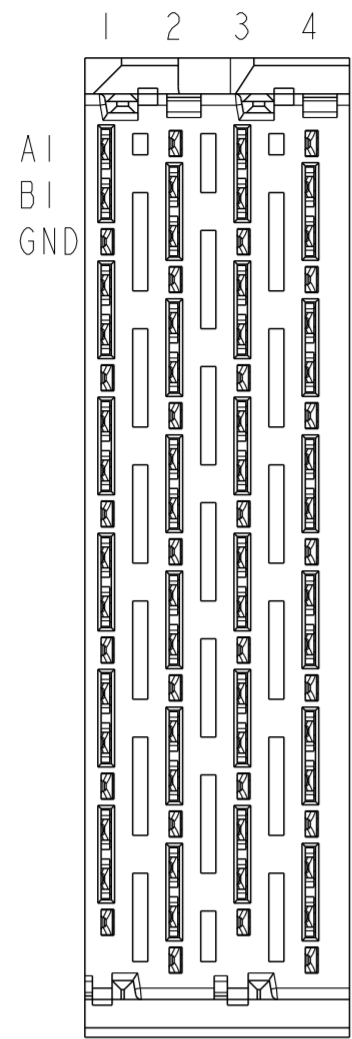
NUMBER	CONTACT MATING WIPE LENGTH		COMPLIANT TAIL TYPE (SEE NOTE 9)
	SIGNAL	GROUND	
1	2 MM	4 MM	0.55 (0.0217" DRILL)
2	3 MM	4 MM	0.55 (0.0217" DRILL)
3	2 MM	4 MM	0.45 MICRO (0.0177" DRILL)
4	3 MM	4 MM	0.45 MICRO (0.0177" DRILL)
5	2 MM	3 MM	0.55 (0.0217" DRILL)
6	3 MM	3 MM	0.55 (0.0217" DRILL)
7	2 MM	3 MM	0.45 MICRO (0.0177" DRILL)
8	3 MM	3 MM	0.45 MICRO (0.0177" DRILL)

FOR CUSTOM-LOADED MODULES, SEE INDIVIDUAL CUSTOM DRAWINGS WITH THE DRAWING-NUMBER FORMAT OF 10120130-XXXX, WHERE: "X" DENOTES MODULE TYPE PER CHART ON THIS SHEET "YYYY" IS A SEQUENTIAL NUMBER BEGINNING WITH "0001".

	UNGROUND	GROUND
FHS	∅2.35-∅2.55	∅2.35-∅2.55
PAD	N/A	∅5.50
PLATED	NO	YES
DRILL(mm)	2.44mm	2.58mm
DRILL(in)	0.096"	0.1015"

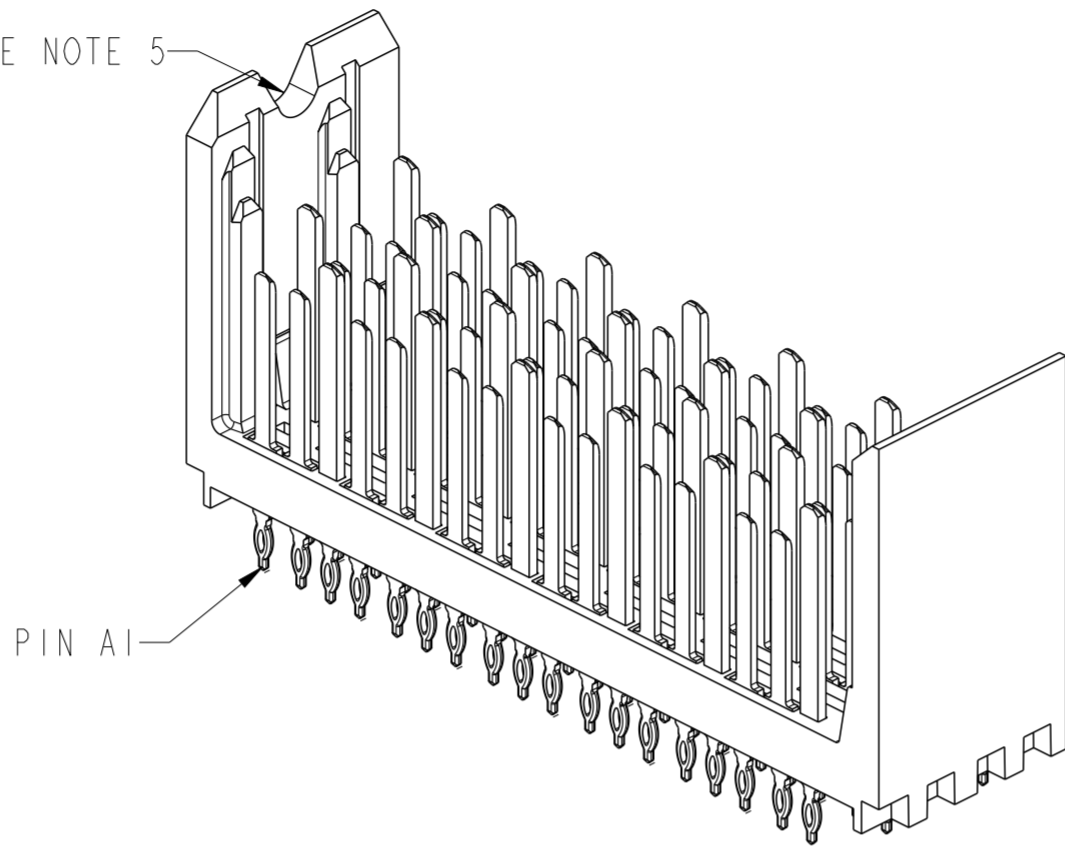
SCREW P/N	DESCRIPTION	BOARD THICKNESS
10091790-002LF	#2-56 X 0.375" LG. PHILIPS PANHEAD W/SQ CONICAL WASHER	1.60-5.00mm
10091790-003LF	#2-56 X 0.375" LG. PHILIPS PANHEAD W/SQ CONICAL WASHER	5.00-10.00mm

spec ref	-	dr	Yong-Keat Lim	2012/02/22	projection	MM	size	A2	scale	2:1							
tolerance std	ASME Y14.5	eng	Sandar Soe	2016/03/07	chr	-	ecn no	ELX-S-17624-1	rel level	Released							
surface	linear	ASME Y14.5	angular	0°	app	Chen-Hong Tan	2016/03/17	product family	XCEDE HD	rel level							
TOLERANCES UNLESS OTHERWISE SPECIFIED		<table border="1"> <tr> <td>0.X</td> <td>±0.3</td> </tr> <tr> <td>0.XX</td> <td>±0.10</td> </tr> <tr> <td>0.XXX</td> <td>±0.05</td> </tr> </table>		0.X	±0.3	0.XX	±0.10	0.XXX	±0.05			<b>VERTICAL HEADER ASSEMBLY</b> XCEDE HD 6 PAIR, 4 COLUMN		10120130		rev C	
0.X	±0.3																
0.XX	±0.10																
0.XXX	±0.05																
www.fci.com		cat. no.		Product - Customer Drw		sheet 1 of 8											



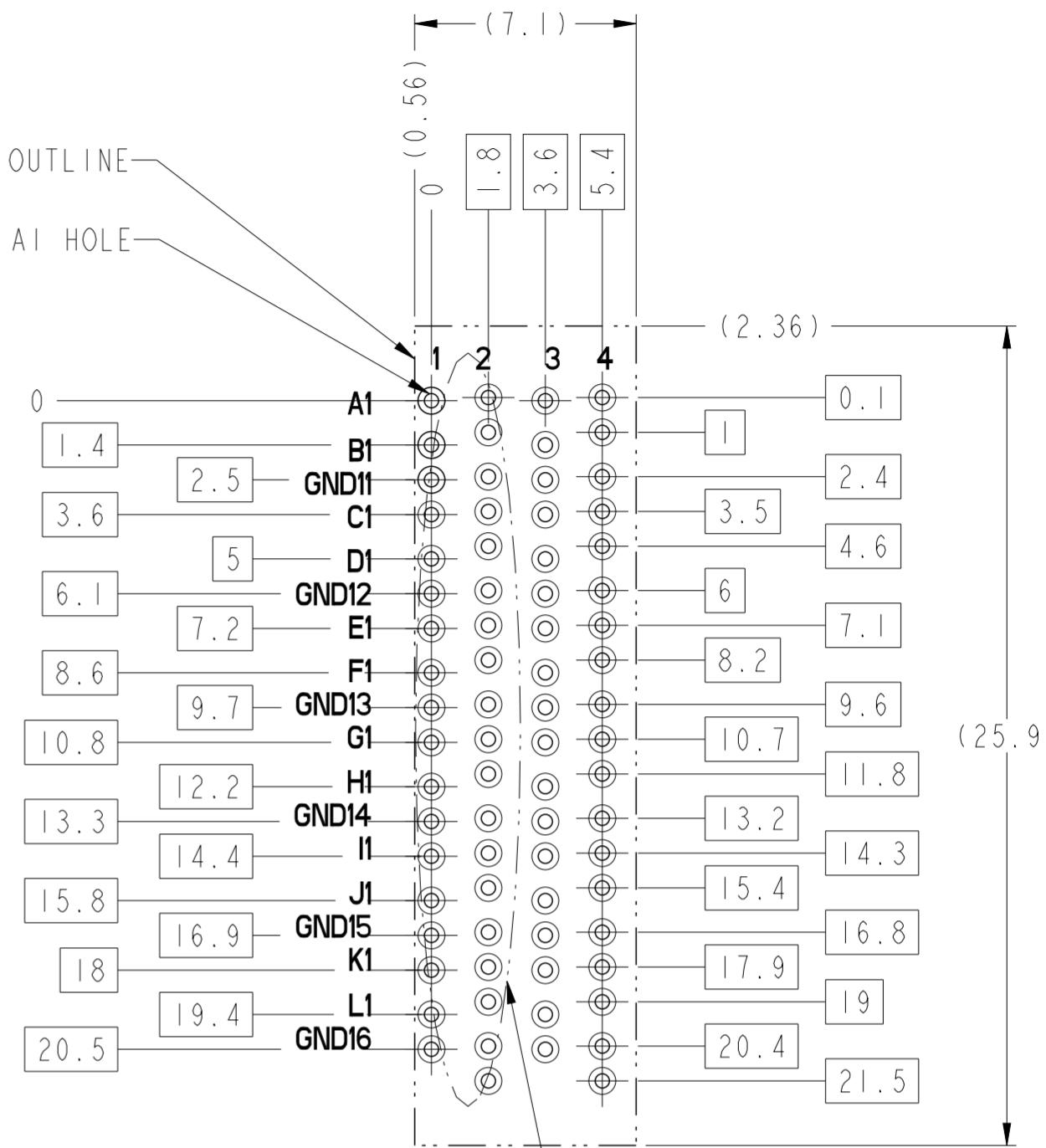
OPEN WALL MODULE

SEE NOTE 5



MODULE OUTLINE

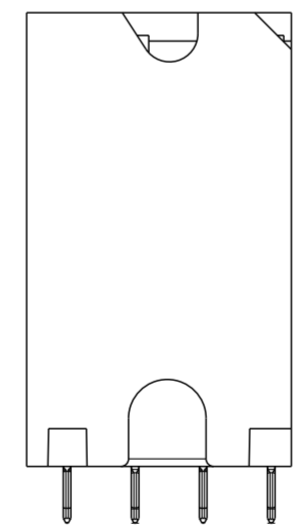
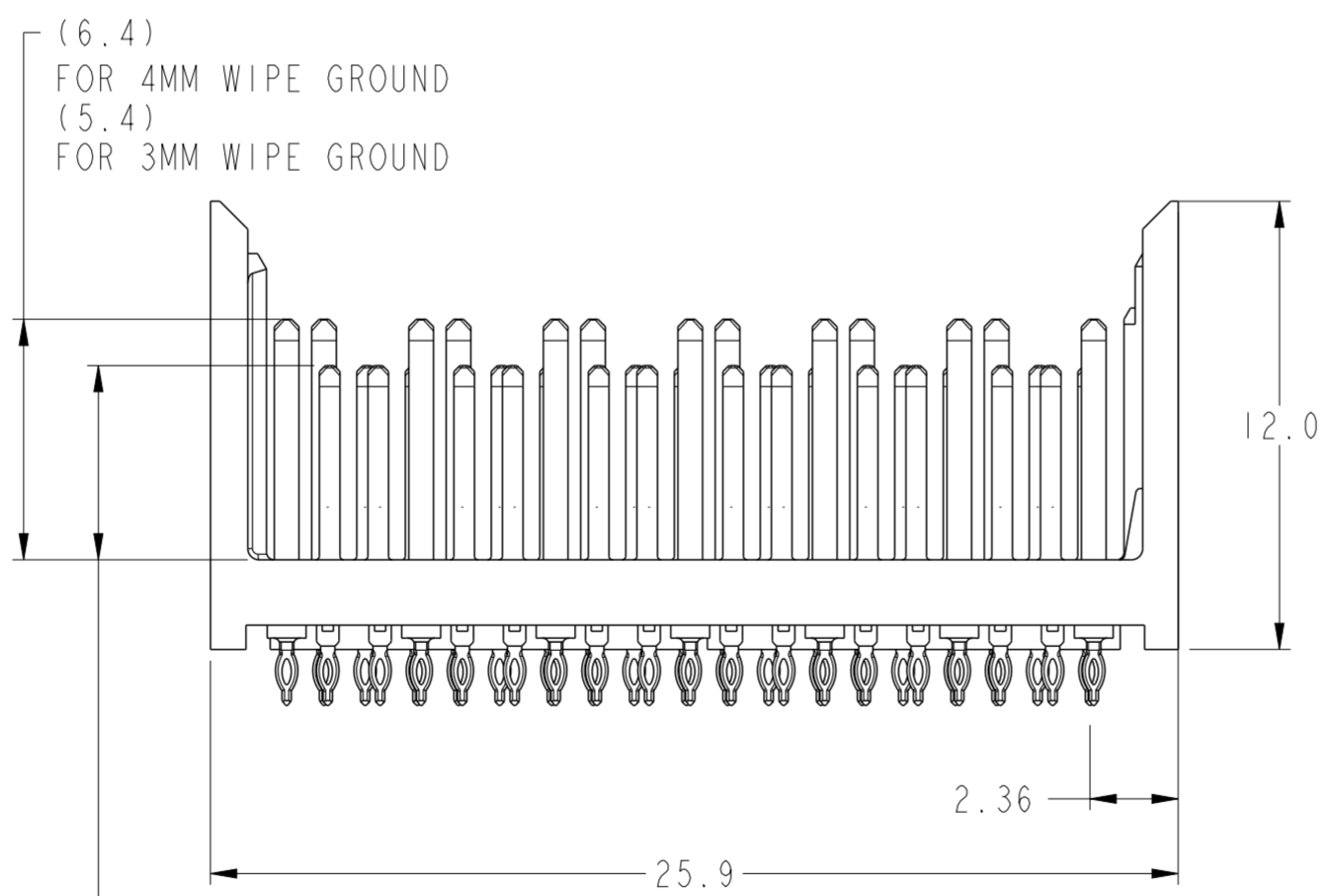
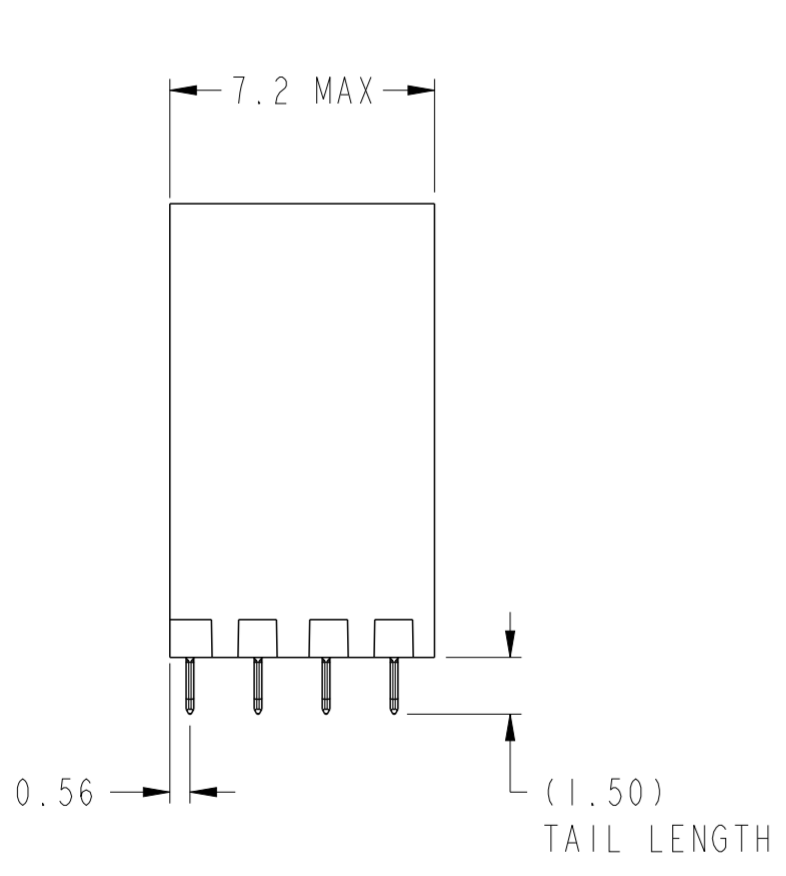
PIN AI HOLE



SEE DETAIL A ON SHEET 8 FOR PINOUT DETAILS

BP HOLE PATTERN COMPONENT SIDE

OPEN WALL MODULE BACKPLANE FOOTPRINT



Amphenol FCI

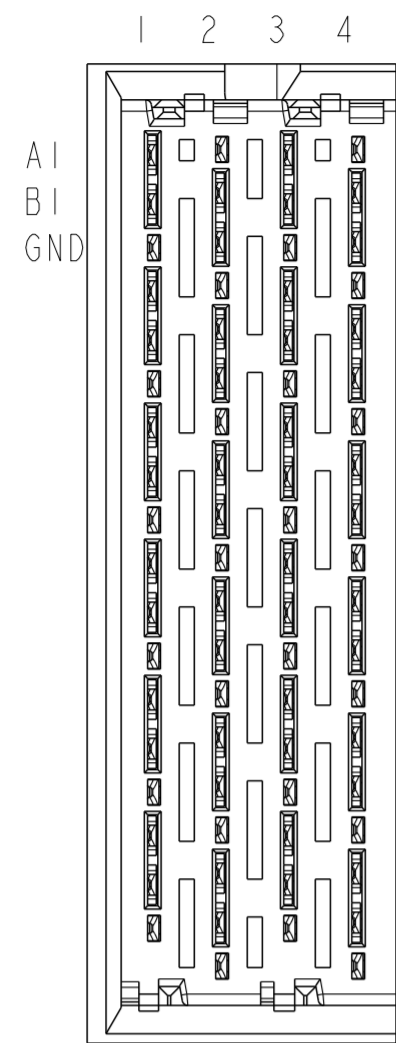
© 2016 AFCI

spec ref	-	dr	Yong-Keat Lim	2012/02/22	projection	MM	size	A2	scale	5:1
tolerance std	ASME Y14.5	eng	Sandar Soe	2016/03/07			ecn no	ELX-S-17624-1	rel level	Released
TOLERANCES UNLESS OTHERWISE SPECIFIED		chr	-	product family			XCEDE HD	rel level		Released
surface	ASME Y14.5	linear	0.X	±0.3		<b>VERTICAL HEADER ASSEMBLY</b> XCEDE HD 6 PAIR, 4 COLUMN	dwg no	10120130	rev	C
		angular	0°	±2°			www.fci.com	cat. no.	-	Product - Customer Drw

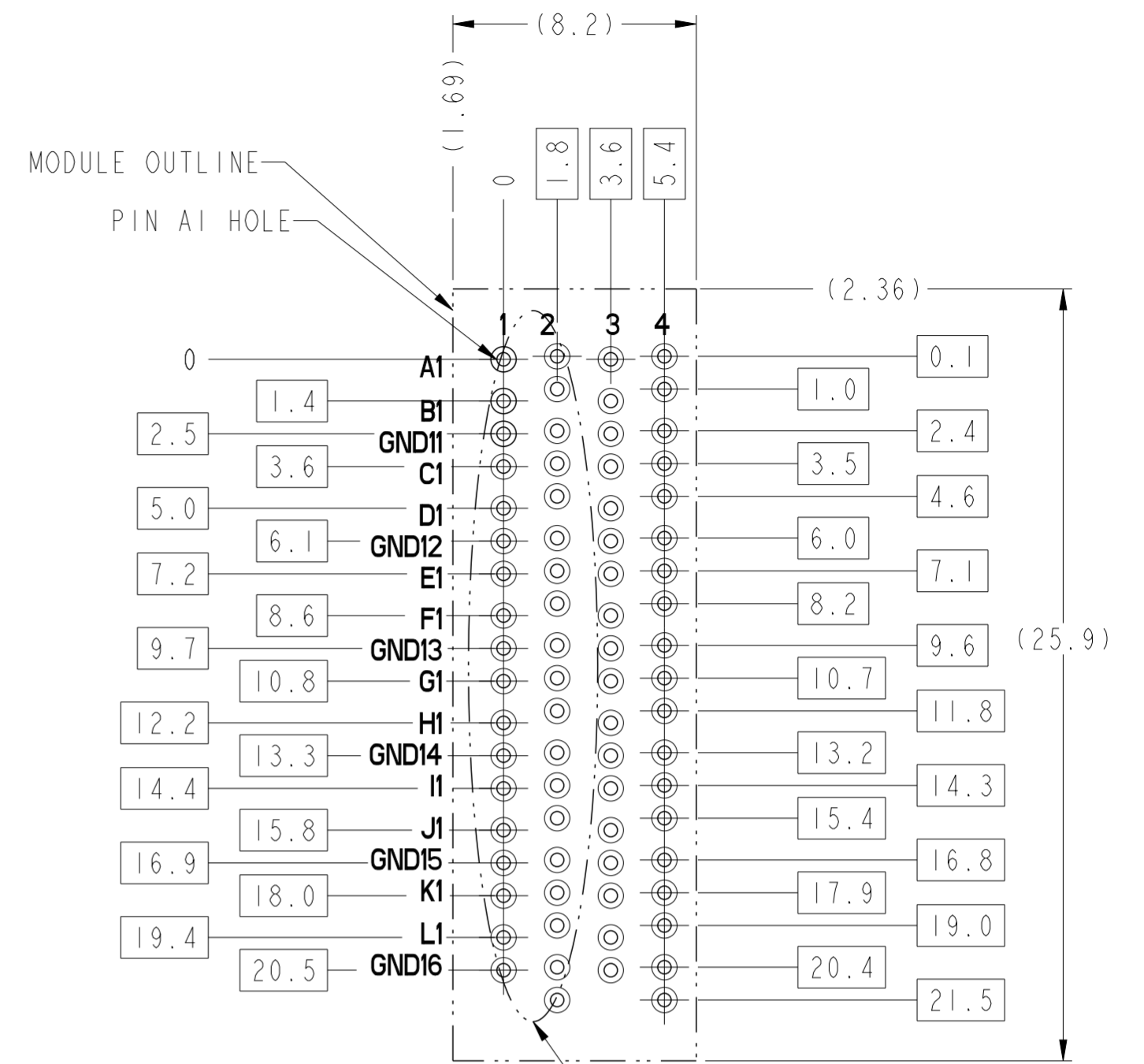
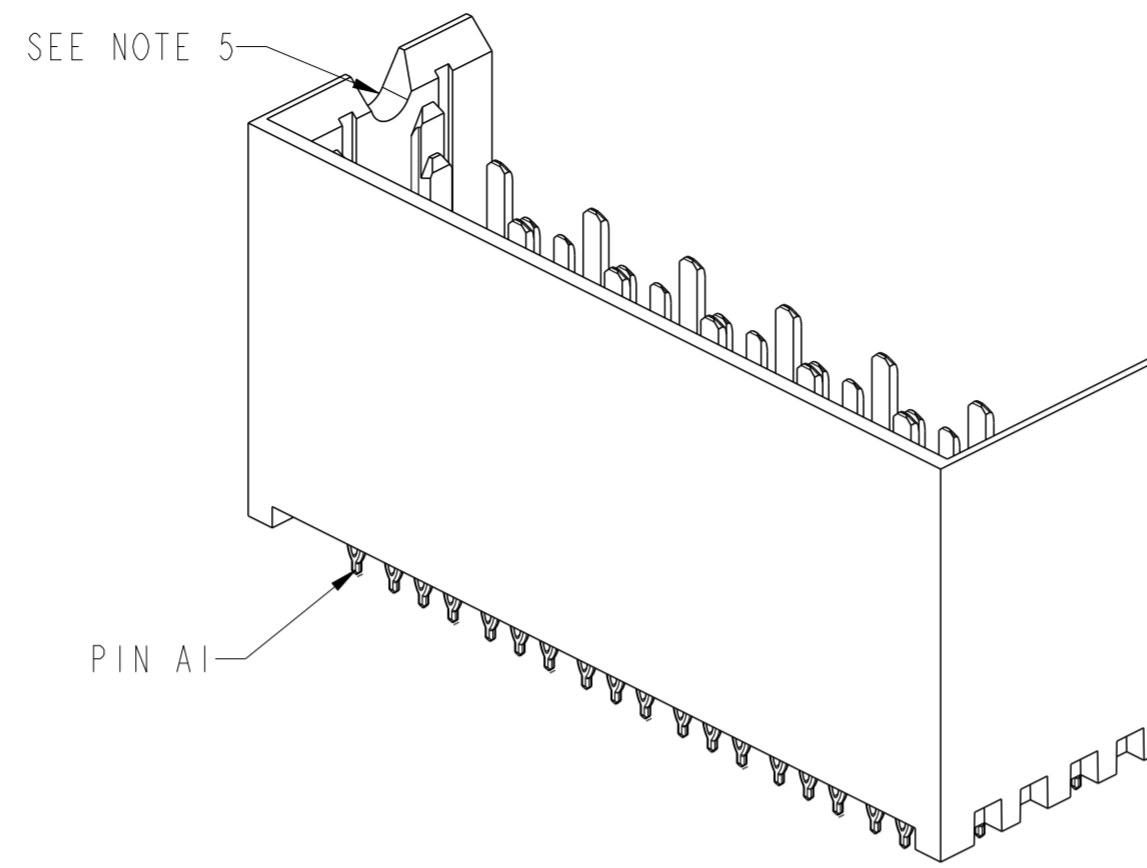
PDS: Rev :C

STATUS:Released

Printed: Mar 17, 2016

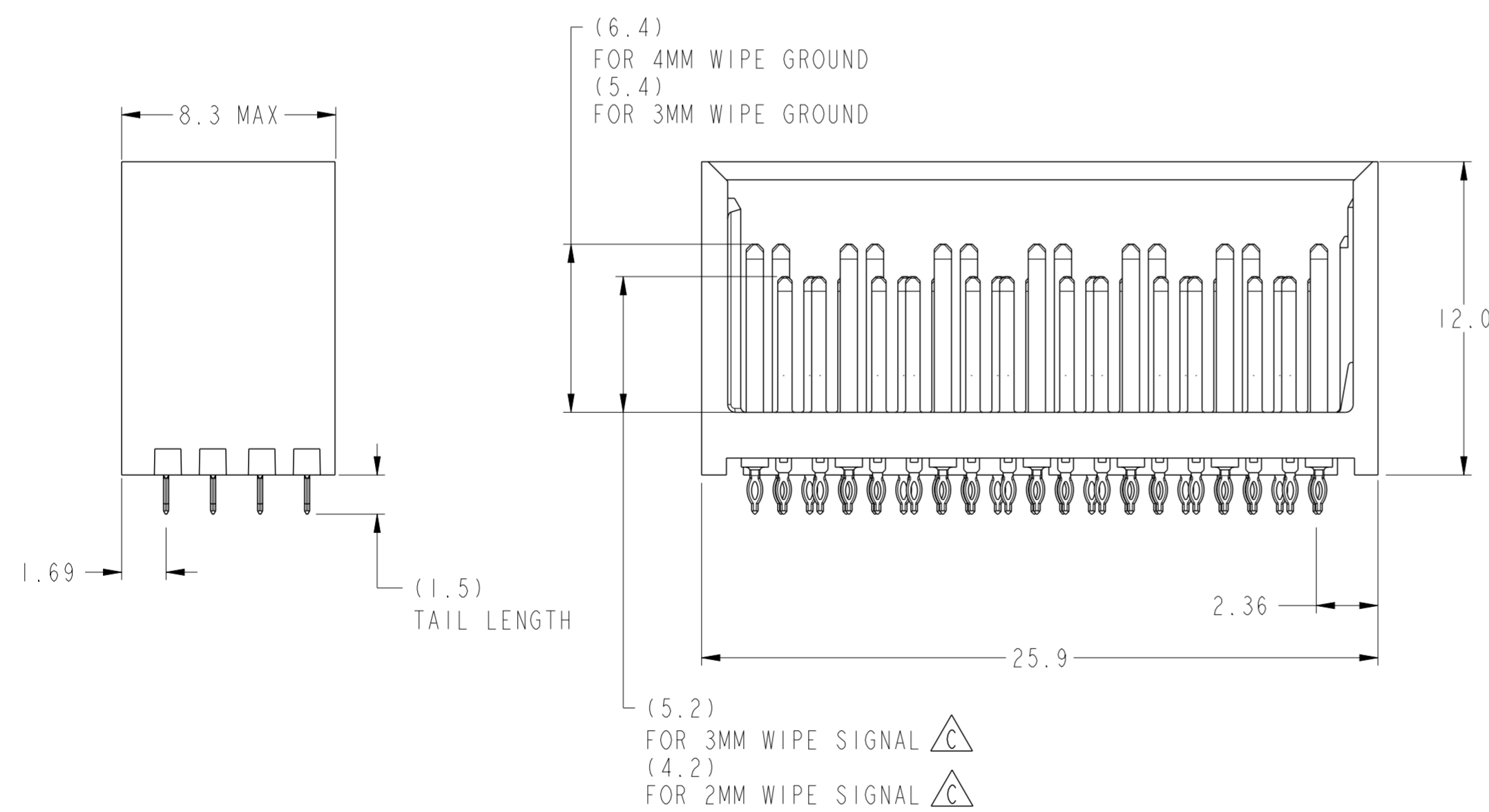


LEFT WALL MODULE



SEE DETAIL A ON SHEET 8 FOR PINOUT DETAILS

BP HOLE PATTERN COMPONENT SIDE  
LEFT WALL MODULE BACKPLANE FOOTPRINT



Amphenol FCI

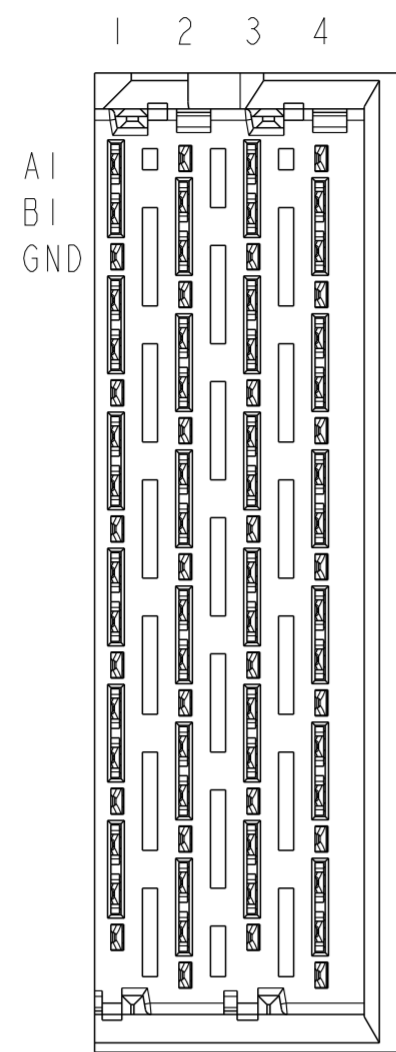
© 2016 AFCI

spec ref	-	dr	Yong-Keat Lim	2012/02/22	projection	MM	size	A2	scale	5:1
tolerance std	ASME Y14.5	eng	Sandar Soe	2016/03/07			ecn no	ELX-S-17624-1		
TOLERANCES UNLESS OTHERWISE SPECIFIED		chr	-	rel level			Released			
surface	ASME Y14.5	appr	Chen-Hong Tan	2016/03/17	product family	XCEDE HD	rel level	Released		
linear	0.X ±0.3 0.XX ±0.10 0.XXX ±0.05	Amphenol FCI	VERTICAL HEADER ASSEMBLY		cat. no.	-	Product - Customer Drw	sheet 3 of 8	rev	C
angular	0° ±2°	www.fci.com	XCEDE HD 6 PAIR, 4 COLUMN		cat. no.	-	Product - Customer Drw	sheet 3 of 8	rev	C

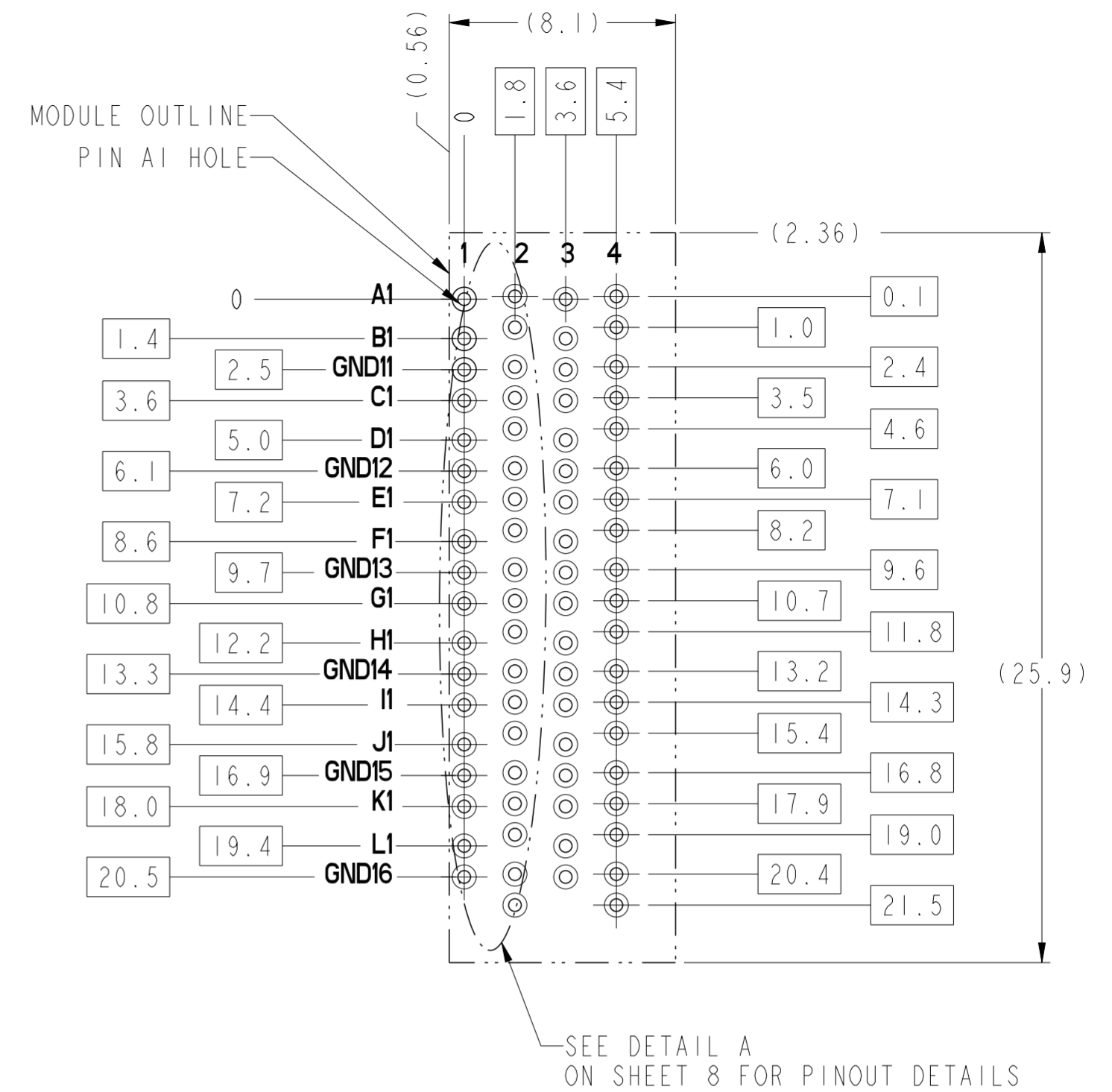
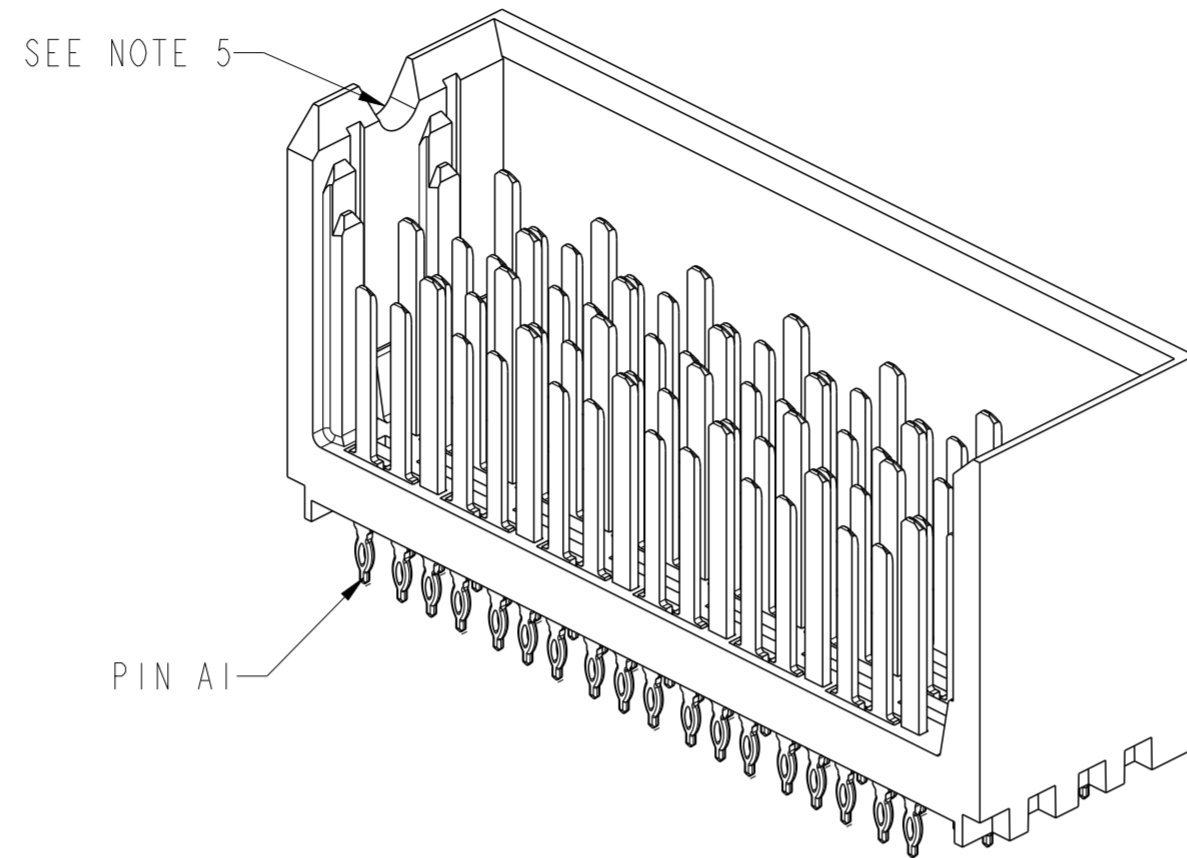
PDS: Rev :C

STATUS:Released

Printed: Mar 17, 2016

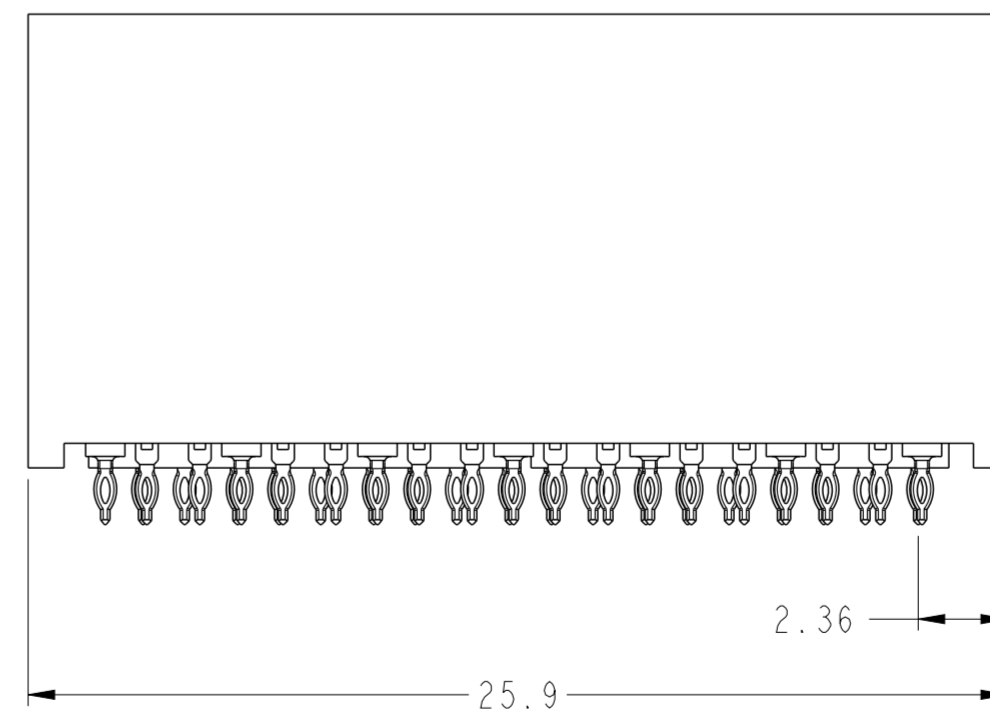
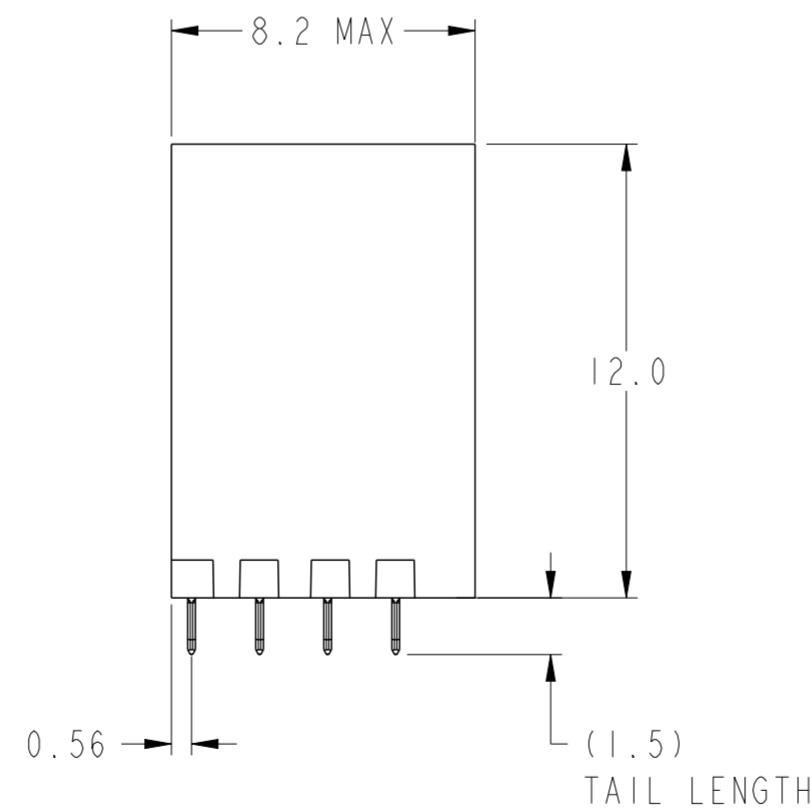
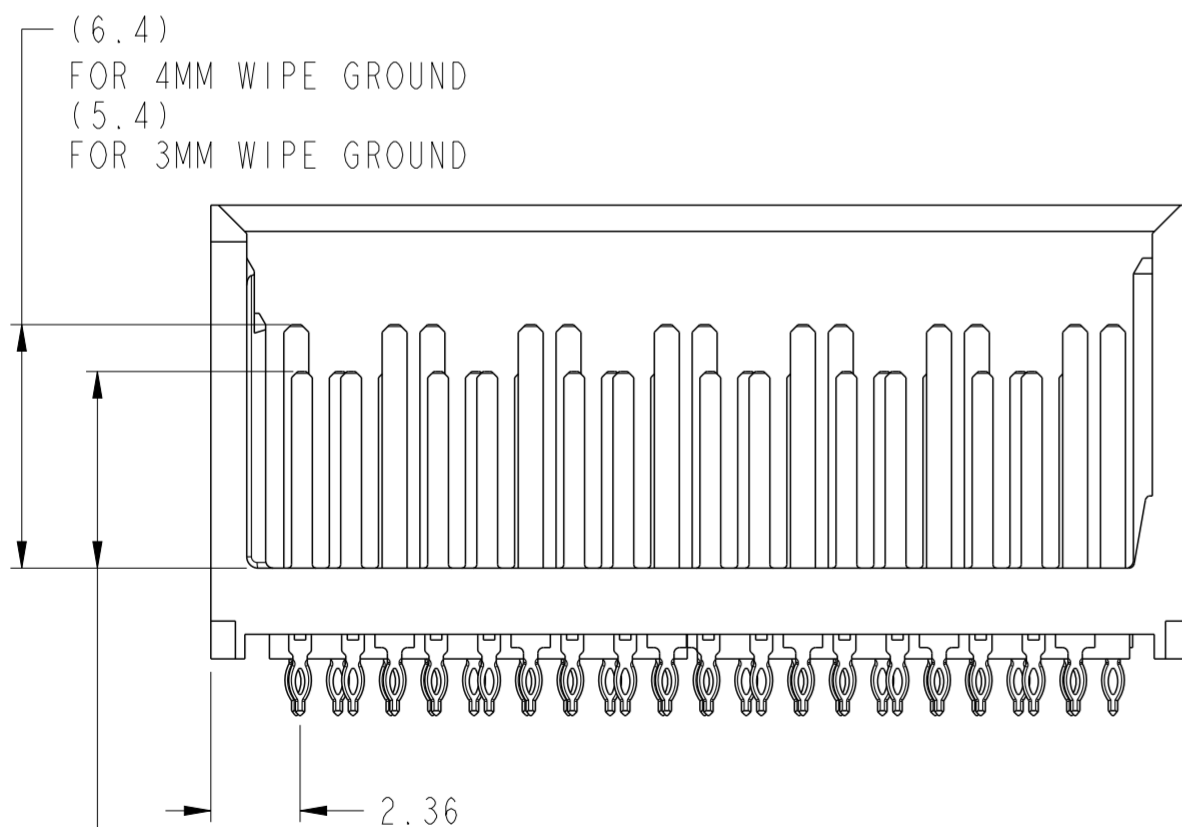


RIGHT WALL MODULE



BP HOLE PATTERN COMPONENT SIDE

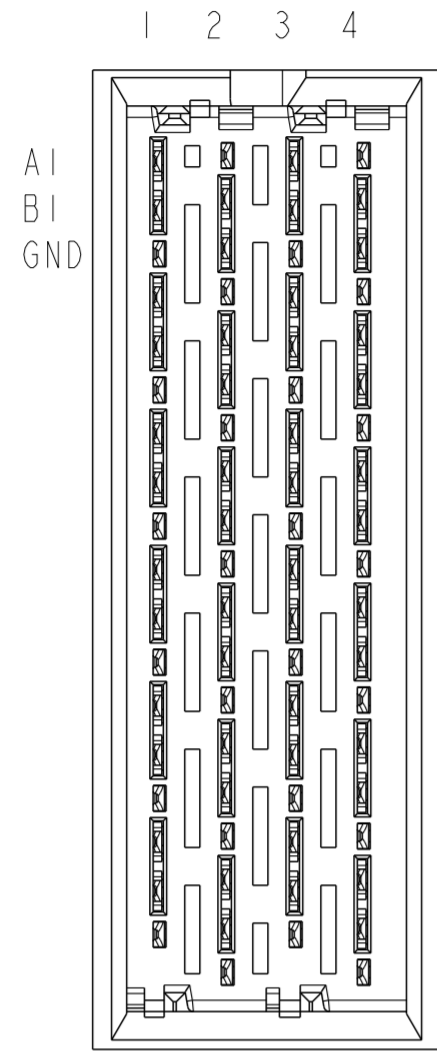
RIGHT WALL MODULE BACKPLANE FOOTPRINT



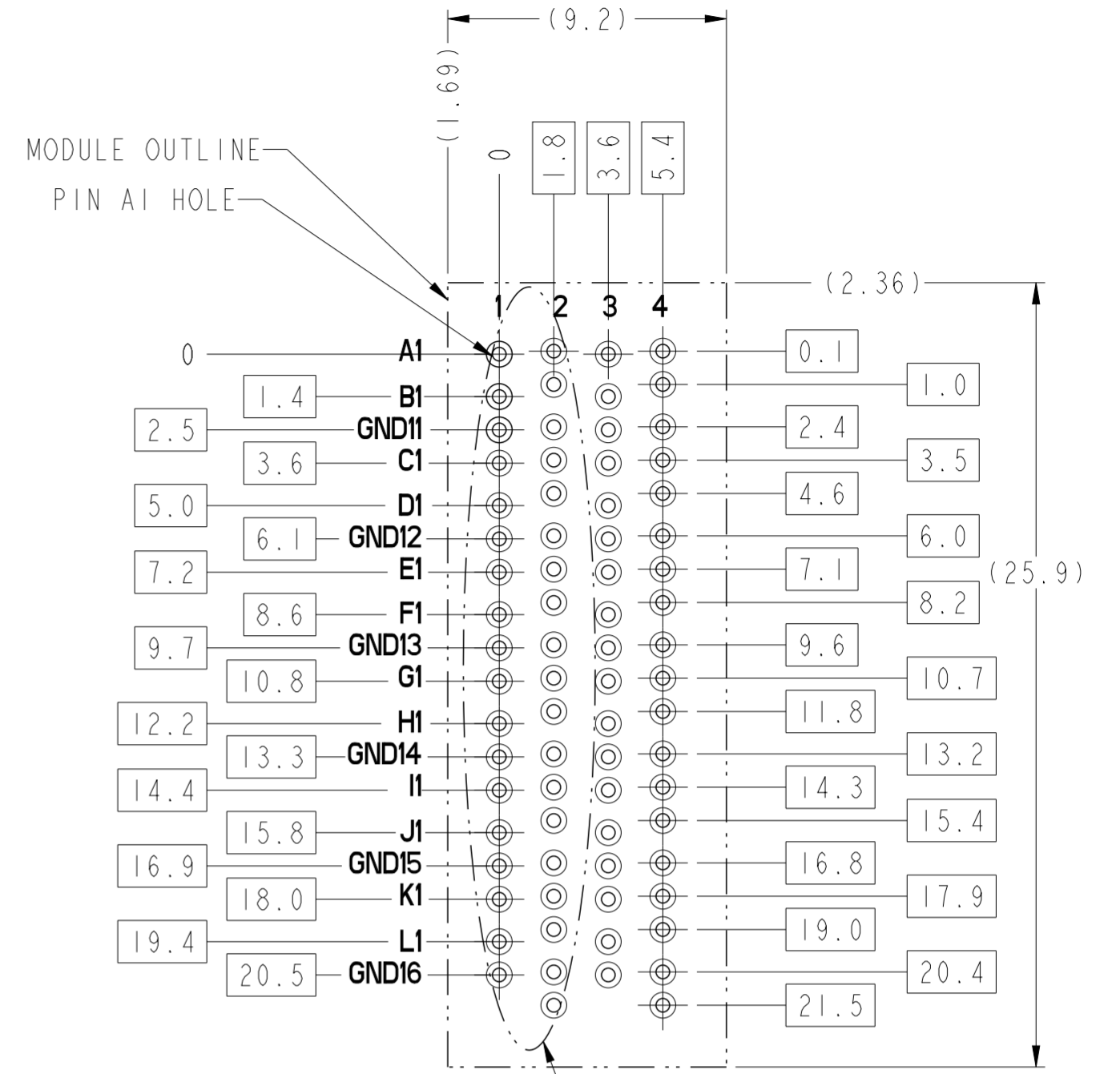
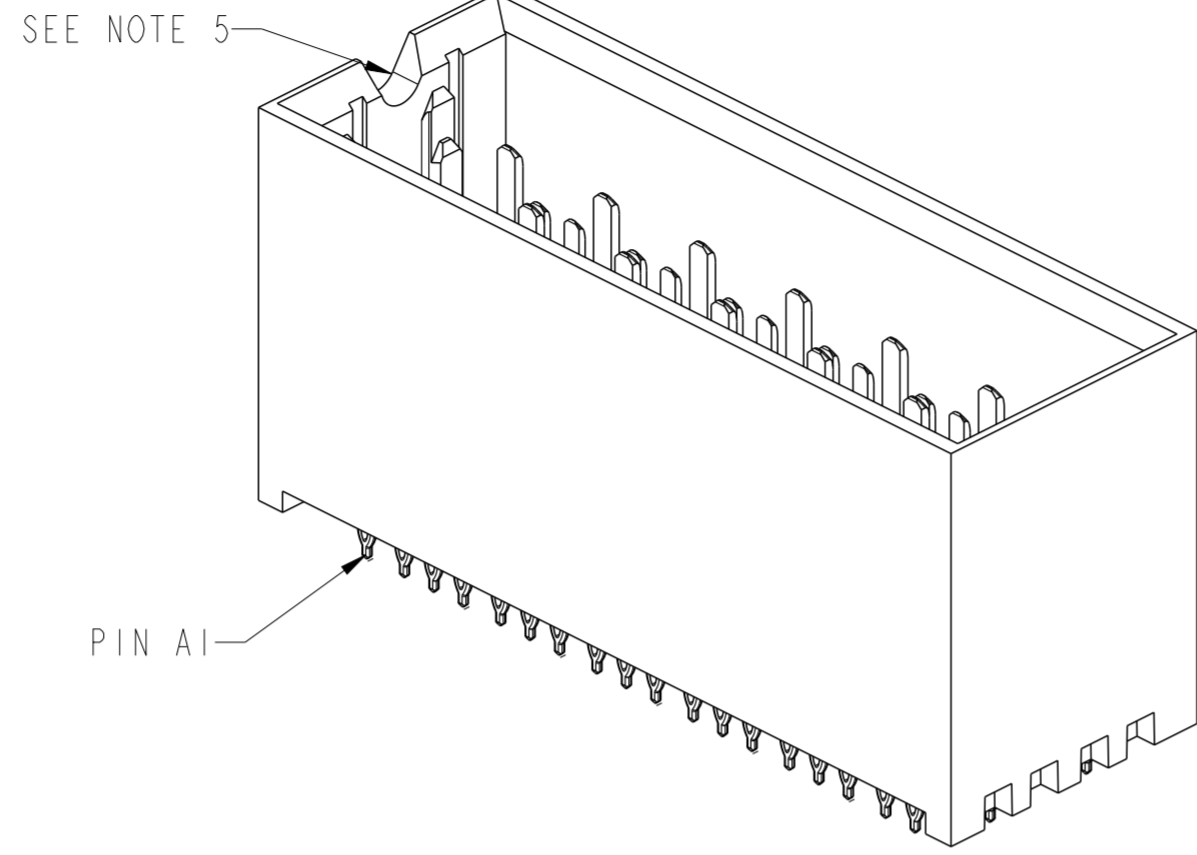
(5.2) FOR 3MM WIPE SIGNAL  
(4.2) FOR 2MM WIPE SIGNAL

spec ref	-	dr	Yong-Keat Lim	2012/02/22	projection	MM	size	A2	scale	5:1										
tolerance std	ASME Y14.5	eng	Sandar Soe	2016/03/07			ecn no	ELX-S-17624-1	rel level	Released										
TOLERANCES UNLESS OTHERWISE SPECIFIED		chr	-	appr			Chen-Hong Tan	2016/03/17		product family	XCEDE HD									
surface	<table border="1"> <tr> <td>linear</td> <td>0.X</td> <td>±0.3</td> </tr> <tr> <td></td> <td>0.XX</td> <td>±0.10</td> </tr> <tr> <td></td> <td>0.XXX</td> <td>±0.05</td> </tr> <tr> <td>angular</td> <td>0°</td> <td>±2°</td> </tr> </table>	linear	0.X	±0.3		0.XX	±0.10		0.XXX	±0.05	angular	0°	±2°			<b>VERTICAL HEADER ASSEMBLY</b> XCEDE HD 6 PAIR, 4 COLUMN		cat. no.	Product - Customer Drw	sheet 4 of 8
linear	0.X	±0.3																		
	0.XX	±0.10																		
	0.XXX	±0.05																		
angular	0°	±2°																		



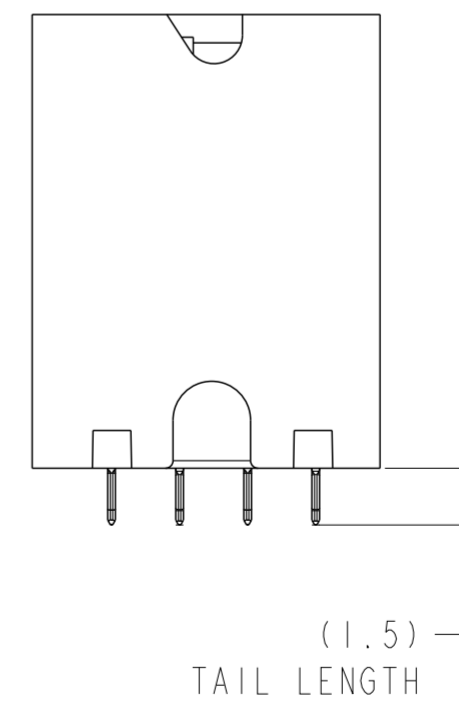
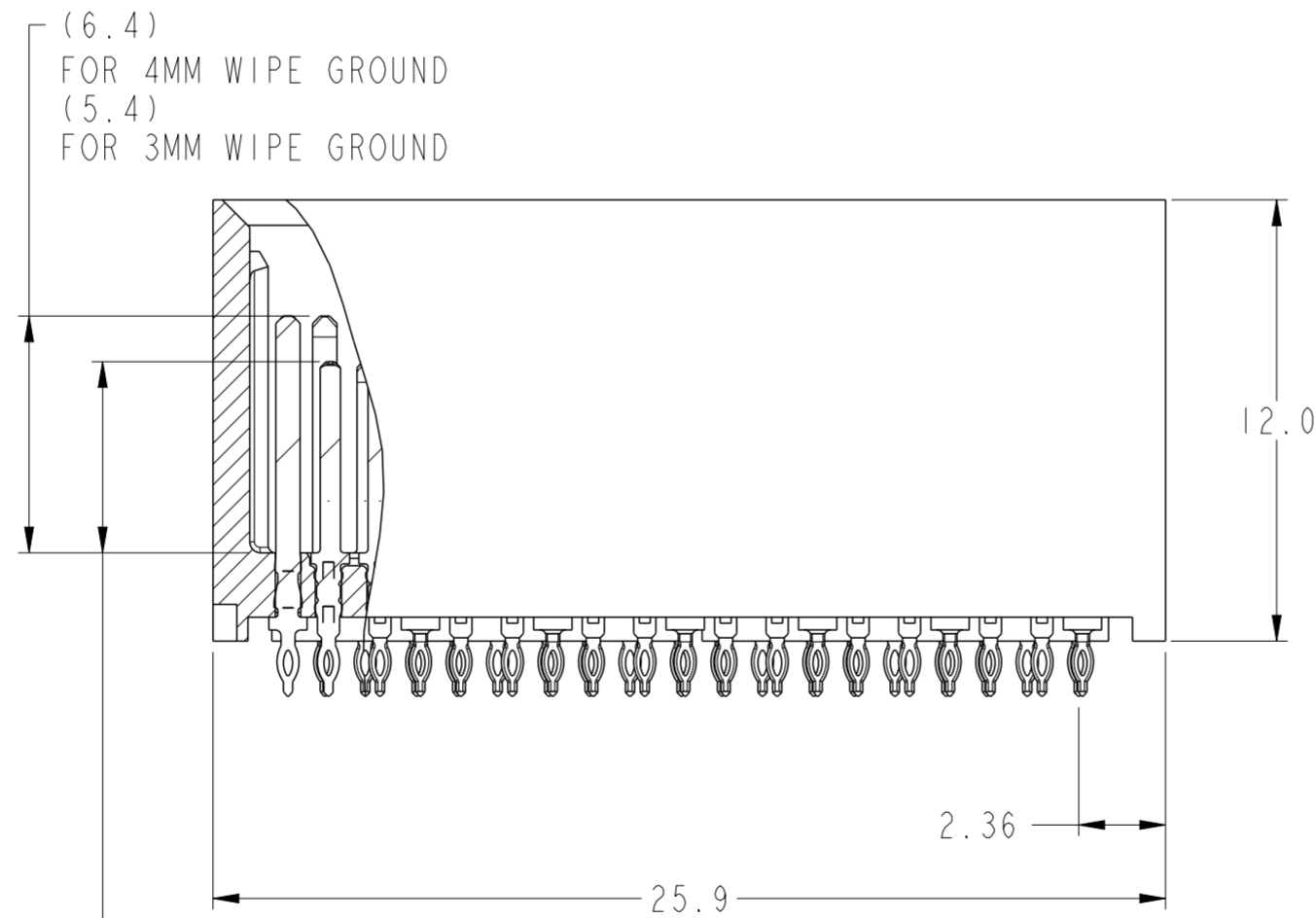
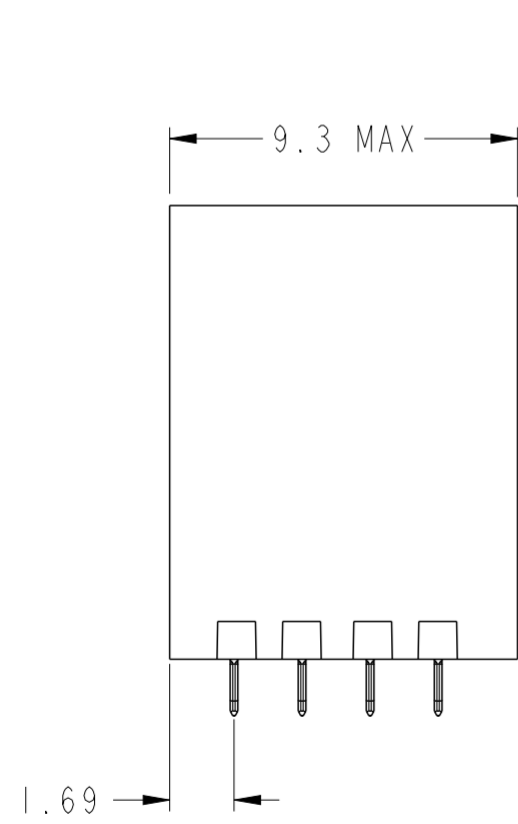


FOUR WALL MODULE



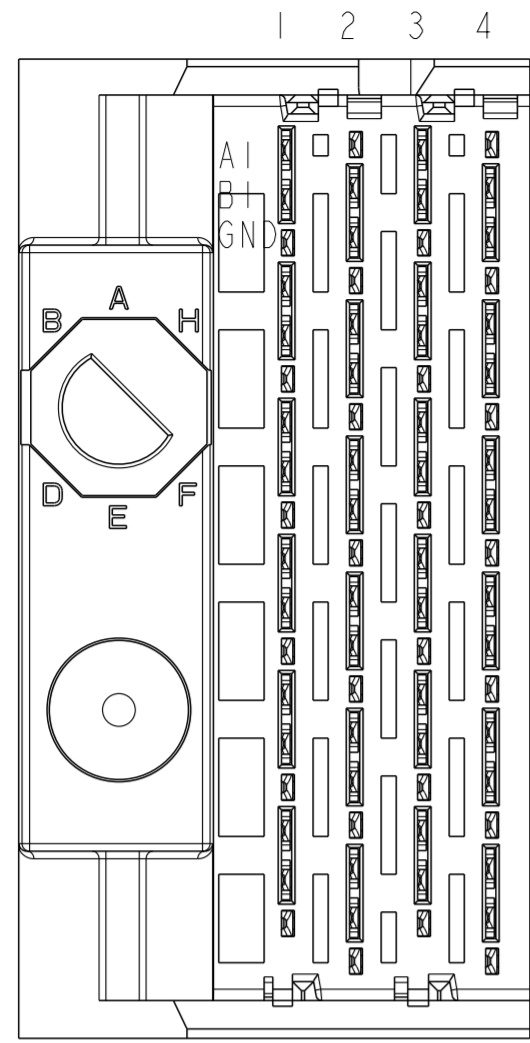
SEE DETAIL A ON SHEET 8 FOR PINOUT DETAILS

BP HOLE PATTERN COMPONENT SIDE  
FOUR WALL MODULE BACKPLANE FOOTPRINT

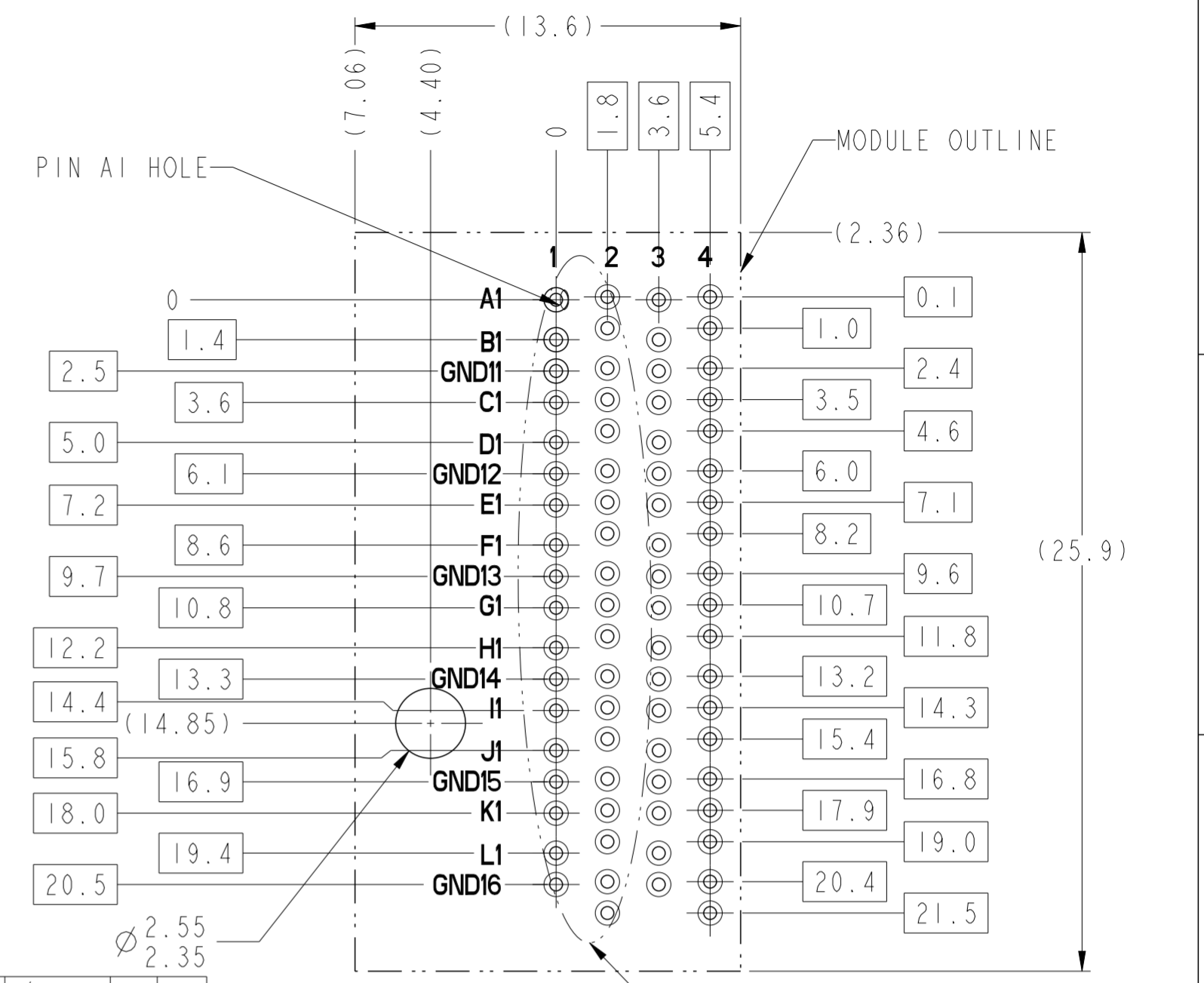
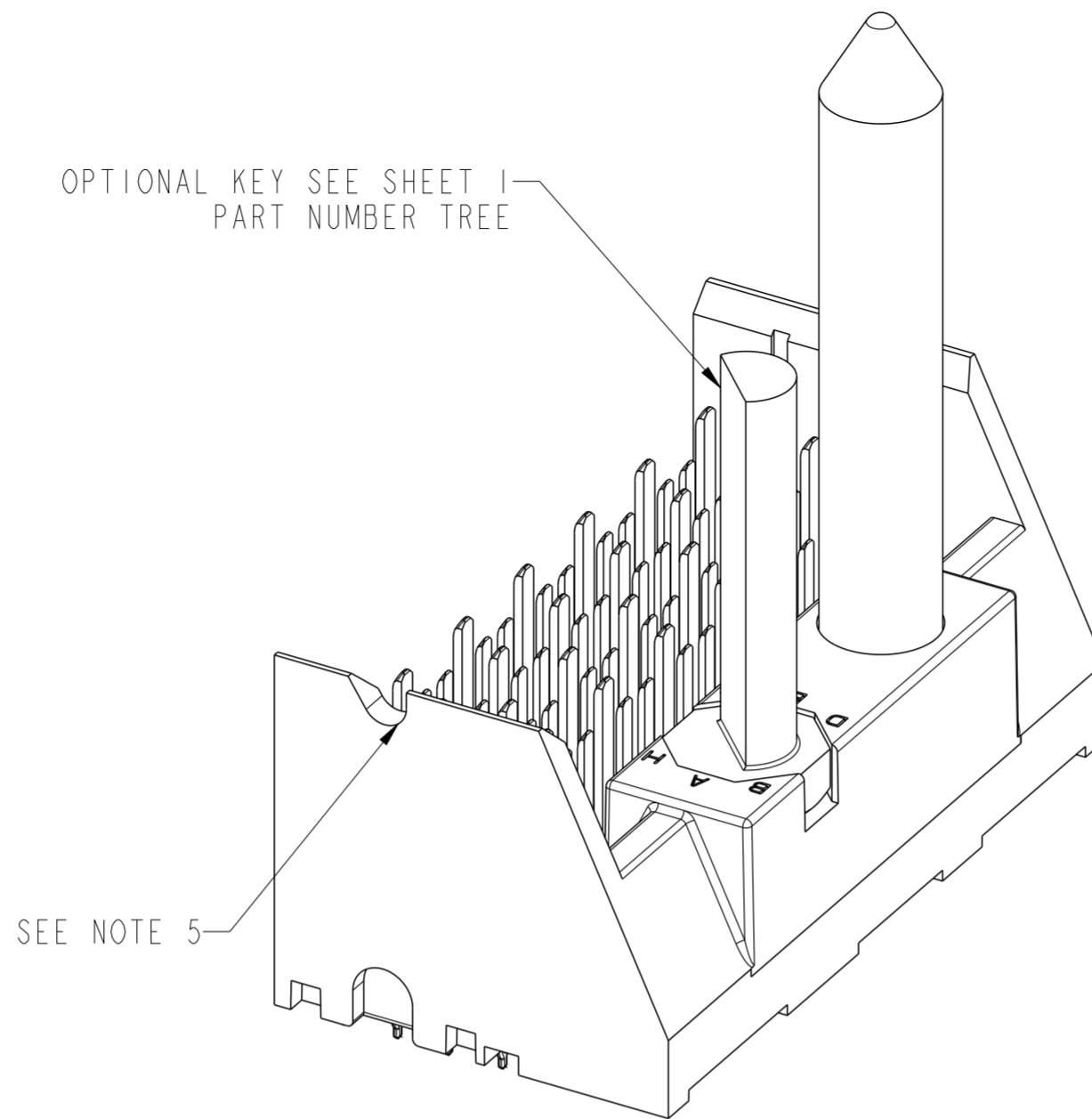


(5.2) FOR 3MM WIPE SIGNAL  $\triangle C$   
(4.2) FOR 2MM WIPE SIGNAL  $\triangle C$

spec ref	-	dr	Yong-Keat Lim	2012/02/22	projection	MM	size	A2	scale	5:1
tolerance std	ASME Y14.5	eng	Sandar Soe	2016/03/07	chr	-	ecn no	ELX-S-17624-1	rel level	Released
surface	ASME Y14.5	appr	Chen-Hong Tan	2016/03/17	product family	XCEDE HD	rel level	Released	cat. no.	10120130
linear	0.X ±0.3 0.XX ±0.10 0.XXX ±0.05	angular	0° ±2°	<b>Amphenol FCI</b> VERTICAL HEADER ASSEMBLY XCEDE HD 6 PAIR, 4 COLUMN www.fci.com		Product - Customer Drw sheet 5 of 8	rev <b>C</b>			



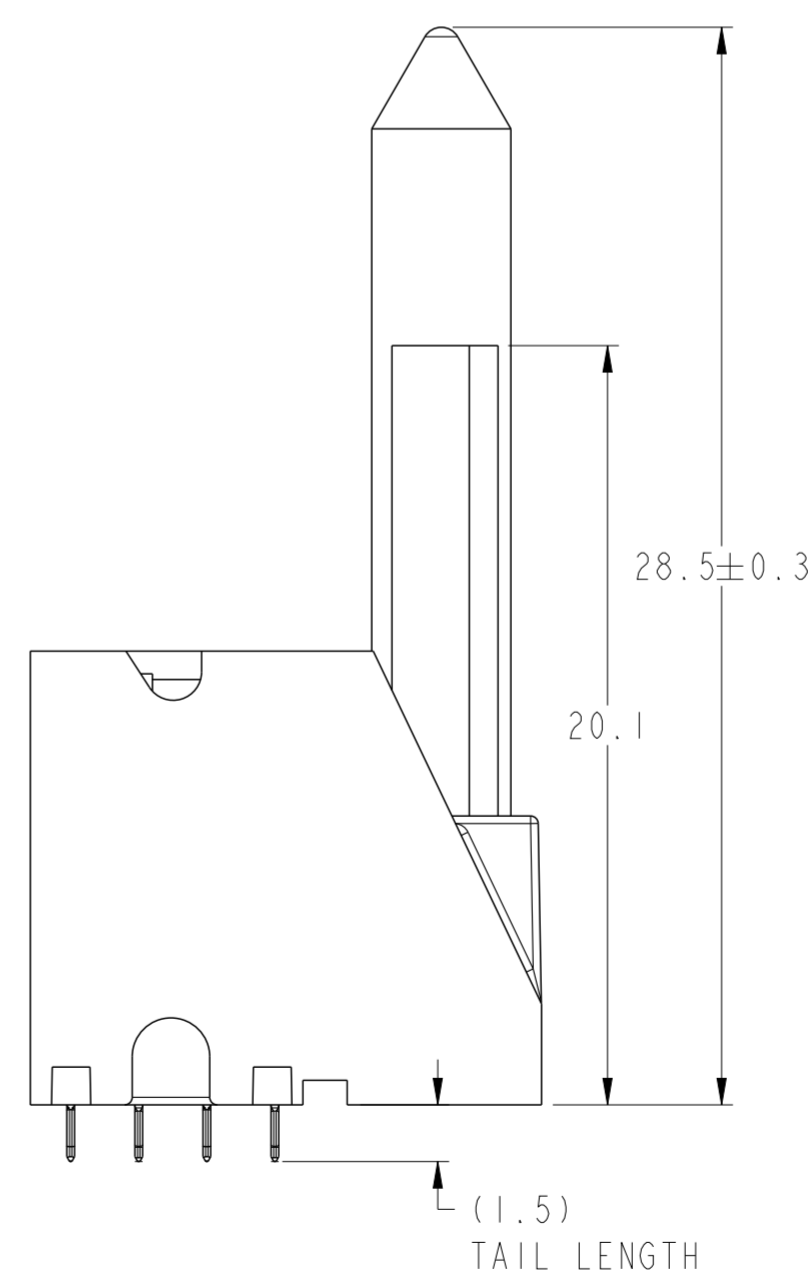
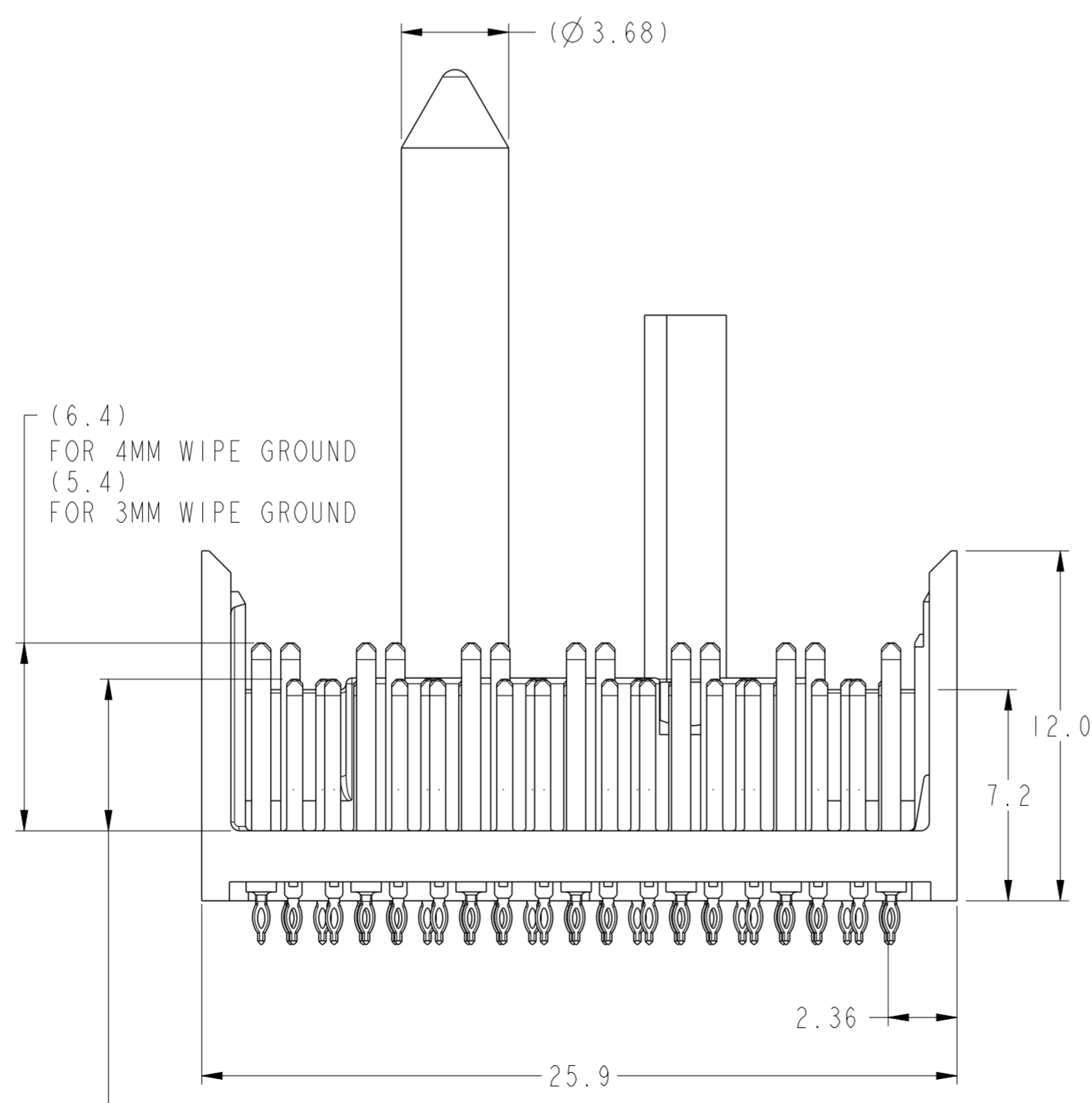
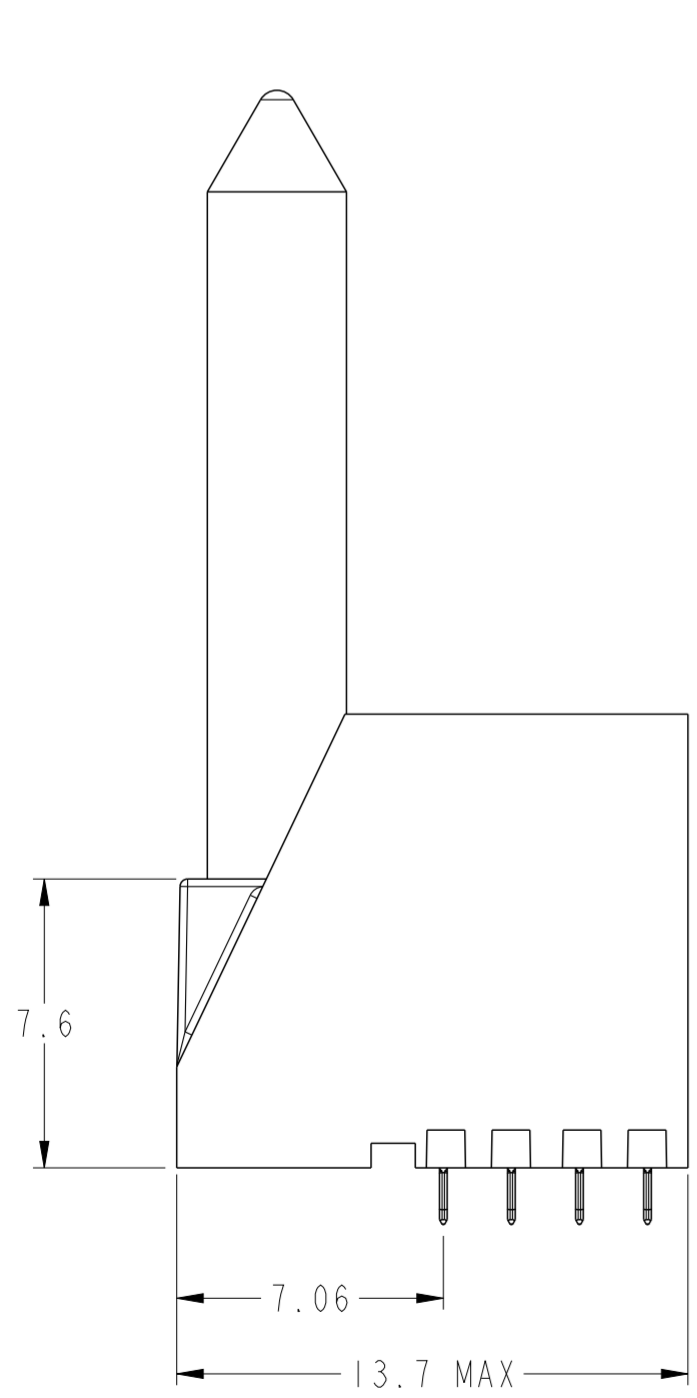
LEFT POLARIZING / GUIDE MODULE



SEE NOTE 11 & TABLE 1

SEE DETAIL A ON SHEET 8 FOR PINOUT DETAILS

BP HOLE PATTERN COMPONENT SIDE  
LEFT POLARIZING GUIDE MODULE  
BACKPLANE FOOTPRINT



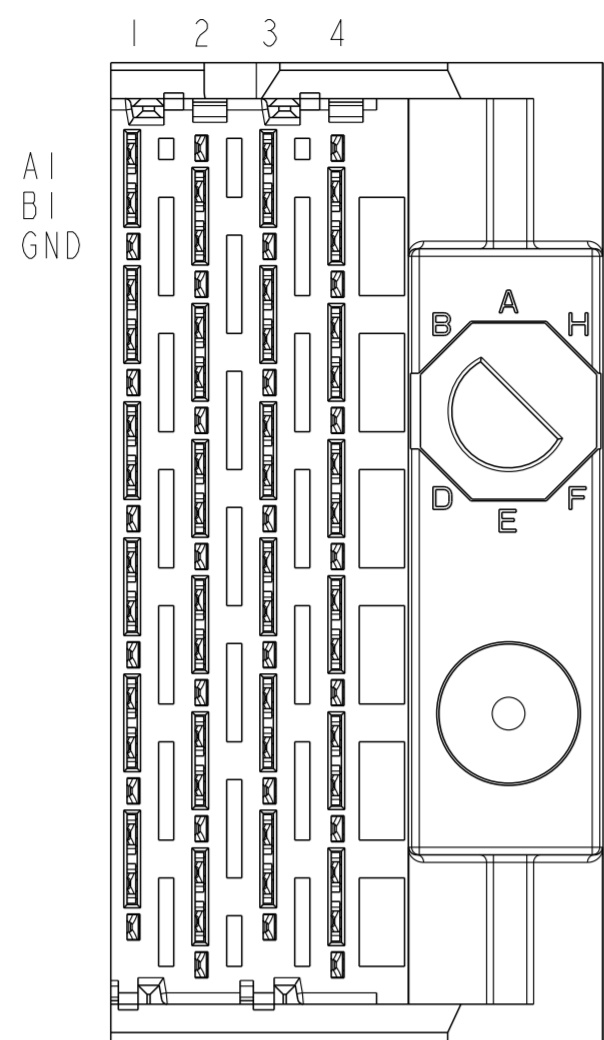
(5.2) FOR 3MM WIPE SIGNAL  
(4.2) FOR 2MM WIPE SIGNAL

spec ref	-	dr	Yong-Keat Lim	2012/02/22	projection	MM	size	A2	scale	5:1
tolerance std	ASME Y14.5	eng	Sandar Soe	2016/03/07	chr	-	ecn no	ELX-S-17624-1	rel level	Released
surface	linear	appr	Chen-Hong Tan	2016/03/17	product family	XCEDE HD	cat. no.	10120130	rev	C
ASME Y14.5	angular	0°	±2°	0.X	±0.3	0.XX	±0.10	0.XXX	±0.05	

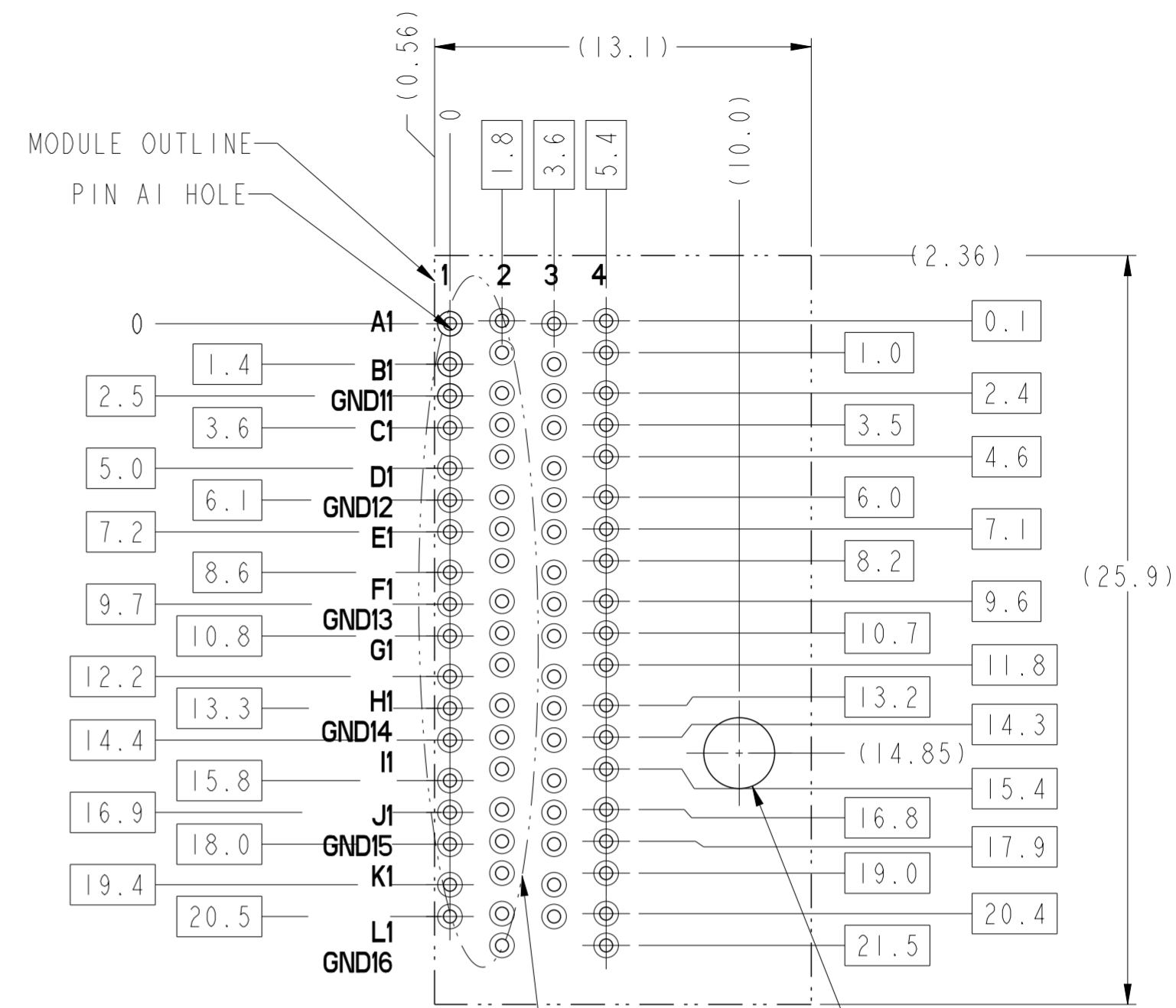
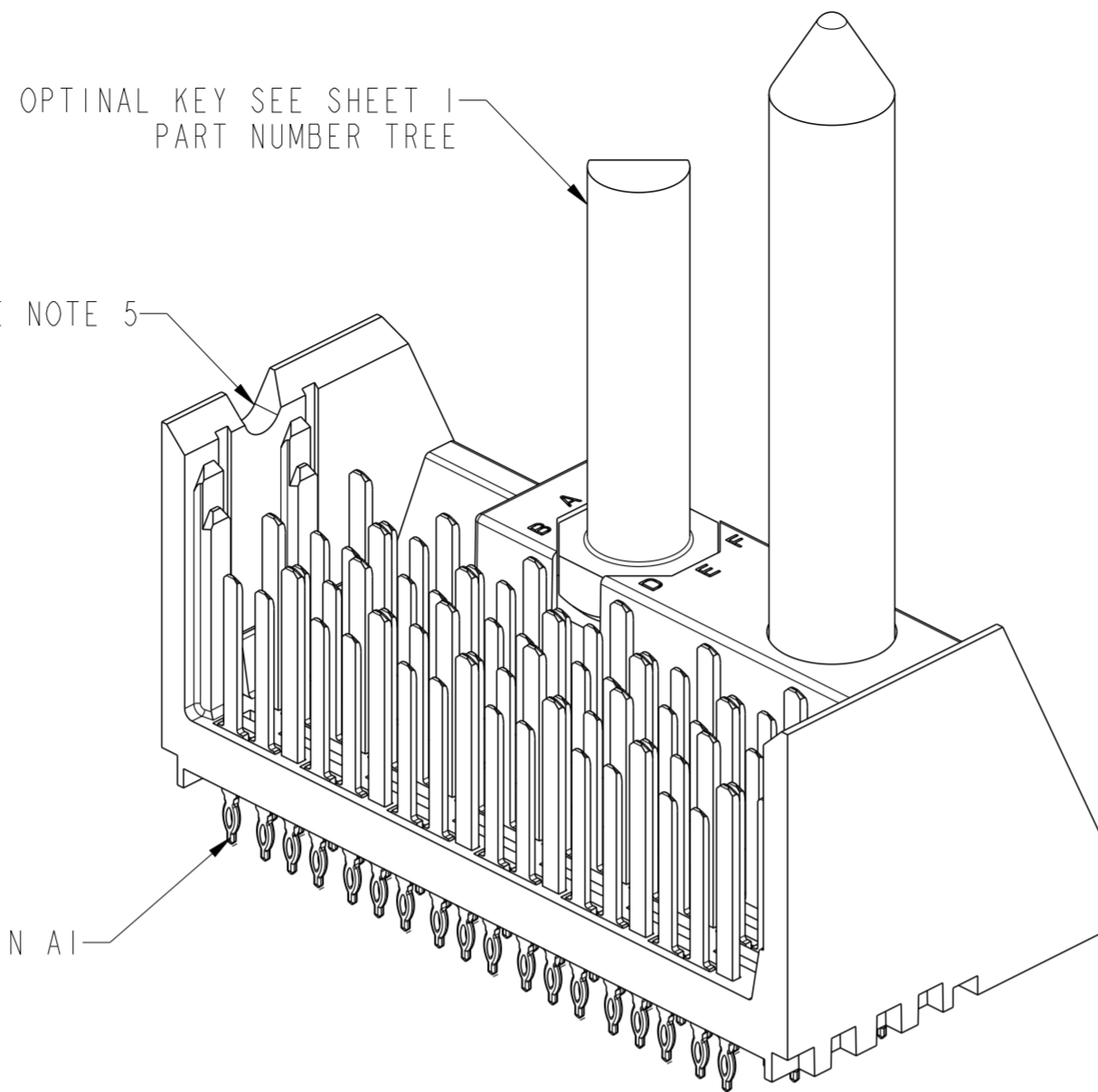
Amphenol  
FCi

© 2016 AFci

Creo File - REV E - 2016-02-12

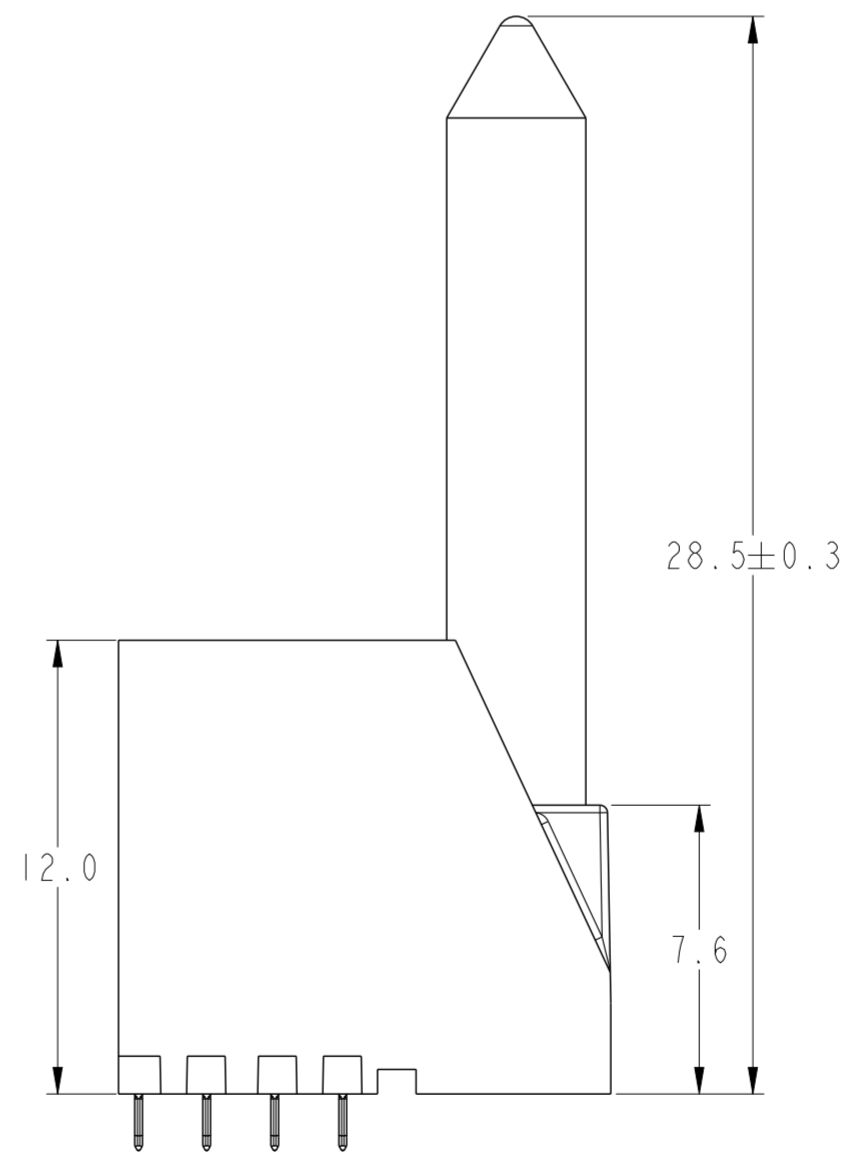
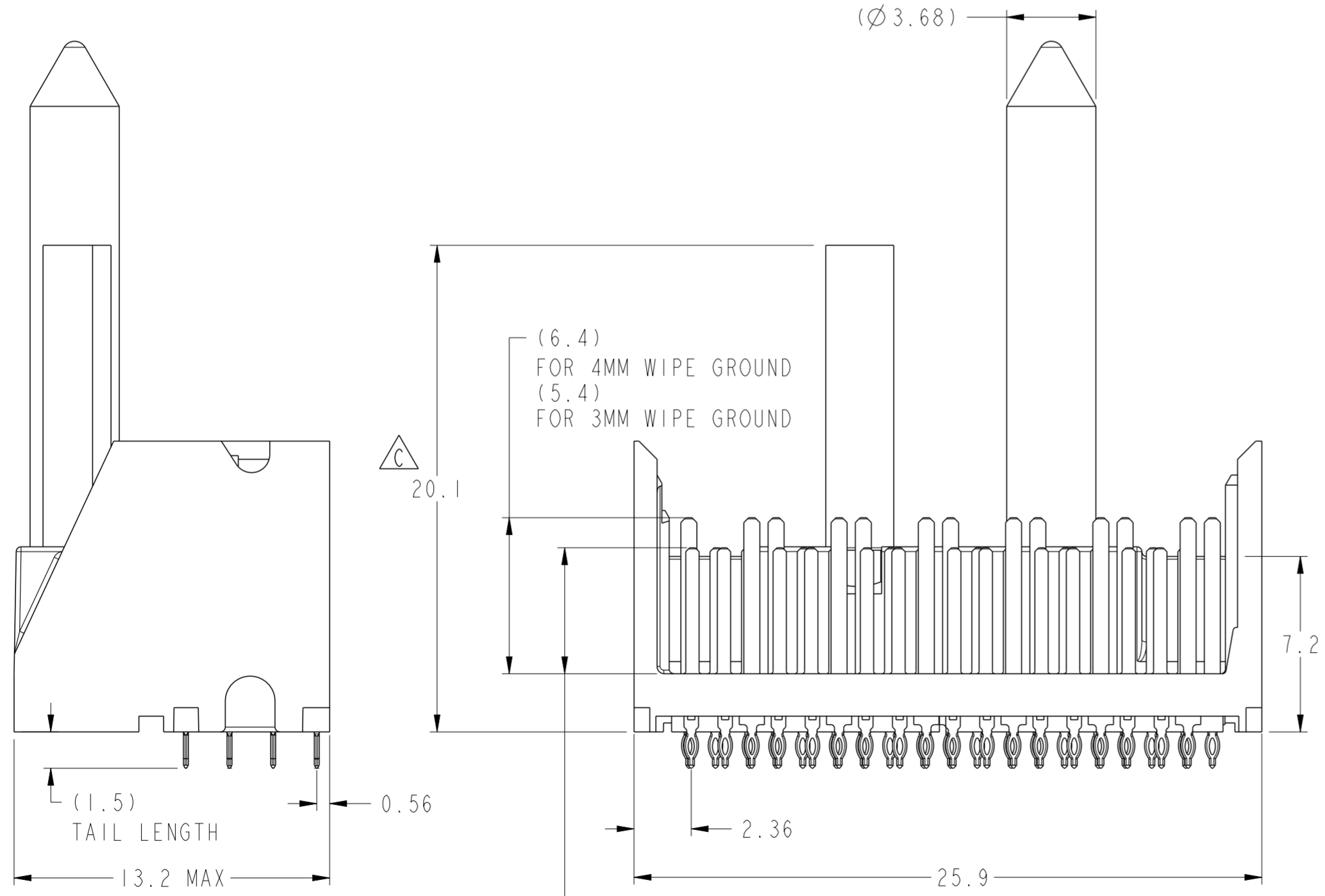


RIGHT POLARIZING GUIDE MODULE



SEE DETAIL A  
ON SHEET 8 FOR PINOUT DETAILS

BP HOLE PATTERN COMPONENT SIDE  
RIGHT POLARIZING GUIDE MODULE  
BACKPLANE FOOTPRINT



(5.2)  
FOR 3MM WIPE SIGNAL  
(4.2)  
FOR 2MM WIPE SIGNAL

spec ref	-	dr	Yong-Keat Lim	2012/02/22	projection	MM	size	A2	scale	5:1
tolerance std	ASME Y14.5	eng	Sandar Soe	2016/03/07	chr	-	ecn no	ELX-S-17624-1	rel level	Released
surface	linear	appr	Chen-Hong Tan	2016/03/17	product family	XCEDE HD	cat. no.	10120130	rev	C
ASME Y14.5	angular	0°	±2°	0.X	±0.3	0.XX	±0.10	0.XXX	±0.05	

Amphenol FCI  
www.fci.com

VERTICAL HEADER ASSEMBLY  
XCEDE HD 6 PAIR, 4 COLUMN

Product - Customer Draw

sheet 7 of 8

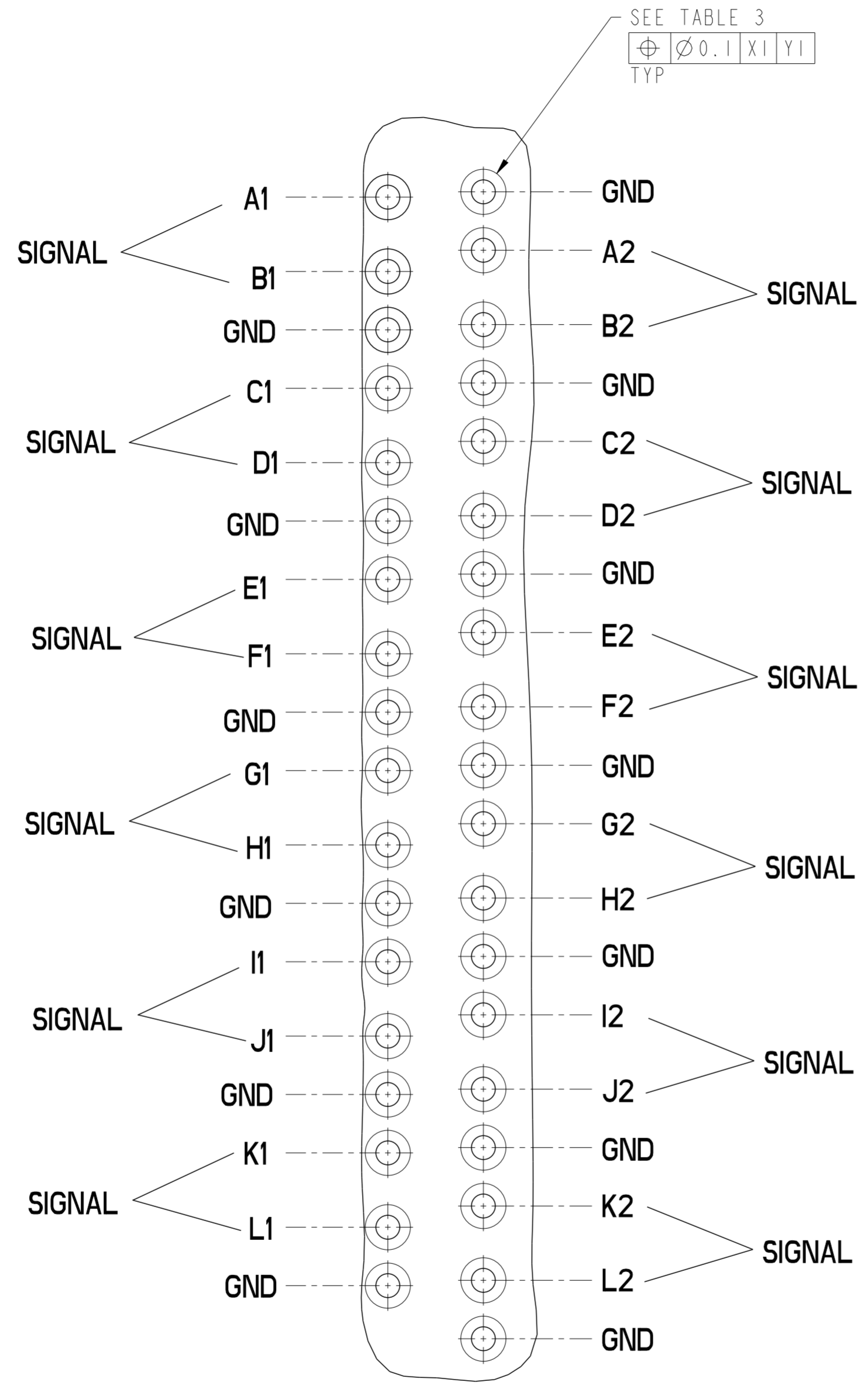


TABLE 3		
	COMPLIANT PIN DRILL $\varnothing 0.55[0.0217"]$	COMPLIANT PIN DRILL $\varnothing 0.45[0.0117"]$
PTH	$\varnothing 0.45 \pm 0.05$	$\varnothing 0.36 \pm 0.05$
DRILL	$\varnothing 0.55[0.0217"]$	$\varnothing 0.45[0.0117"]$
PAD	$\varnothing 0.85$	$\varnothing 0.75$

NOTES:

1. CONNECTOR MATERIALS  
SHROUD : HIGH-TEMP POLYMER, COLOR : BLACK, UL94V-0  
CONTACTS : HIGH PERFORMANCE COPPER ALLOY
2. PRODUCT SPECIFICATION : GS-12-0936
3. APPLICATION SPECIFICATION : GS-20-0348
4. PRODUCT MARKING :  
PART NUMBER (10120130-X0J-XXXLF)  
"FCI" AND DATE CODE (FCI P#####)
5. NOTCH DESIGNATES "ROW A" SIDE OF CONNECTOR. NOTCH FEATURE ON OPPOSITE FOR PRODUCT MARKING.
6. PLATING THICKNESS OF SIGNAL & GROUND CONTACT ARE DETERMINED BY PLATING CODE, REFER TO P/N TREE ON SHEET 1.
7. PACKAGING MEETS GS-14-920 LEAD-FREE LABELING SPECIFICATION.
8. GUIDE-PIN STYLE DESIGNATION ONLY APPLIES TO MODULE VERSIONS THAT REQUIRE GUIDE-PIN HARDWARE. FOR ALL NON-GUIDE-PIN VERSIONS, THE DEFAULT DASH-NUMBER DIGIT IN THAT LOCATION IS STILL "0".
9. SEE APPLICATION SPECIFICATION FOR ROUTING GUIDELINES, ADDITIONAL PTH GUIDELINES, MATED DIMENSIONS, GUIDE PIN SELECTION, ETC.
10. A  $\triangle$  SYMBOL WILL BE NEXT TO ANY DIMENSION, VIEW OR NOTE THAT HAS BEEN MODIFIED WITH THE CURRENT DRAWING REVISION.
11. OPTIONAL HOLE LOCATION FOR GROUNDED PIN OR ADDITIONAL GUIDE-PIN SUPPORT. SEE TABLE 1 SHEET 1 FOR ADDITIONAL DETAILS.
12. SCREW IS OPTIONAL AND ENGAGES WITH BOTTOM OF GUIDE PIN FROM BENEATH THE PCB FOR ADDITIONAL GUIDE-PIN SUPPORT.

DETAIL A  
SCALE 12:1  
PINOUT DETAILS

Amphenol  
FCi

© 2016 AFci

spec ref	-	dr	Yong-Keat Lim	2012/02/22	projection	MM	size	A2	scale	3:1
tolerance std	ASME Y14.5	eng	Sandar Soe	2016/03/07			ecn no	ELX-S-17624-1	rel level	Released
TOLERANCES UNLESS OTHERWISE SPECIFIED		chr	-	appr			Chen-Hong Tan	2016/03/17		product family
surface	ASME Y14.5	linear	0.X	$\pm 0.3$	Amphenol FCi		VERTICAL HEADER ASSEMBLY		cat. no	10120130
			0.XX	$\pm 0.10$	www.fci.com		XCEDE HD 6 PAIR, 4 COLUMN		Product - Customer Drw	sheet 8 of 8
		angular	0°	$\pm 2^\circ$	PDS: Rev :C		STATUS:Released		Printed: Mar 17, 2016	



# Mouser Electronics

Authorized Distributor

Click to View Pricing, Inventory, Delivery & Lifecycle Information:

## [FCI / Amphenol:](#)

[10120130-A0J-80DLF](#) [10120130-B0J-70DLF](#) [10120130-10J-20DLF](#) [10120130-A0J-10DLF](#) [10120130-E0J-80DLF](#)  
[10120130-J0J-40DLF](#) [10120130-W0J-60DLF](#) [10120130-W0J-30DLF](#) [10120130-00J-30DLF](#) [10120130-S0J-10DLF](#)  
[10120130-J0J-70DLF](#) [10120130-Q0J-40DLF](#) [10120130-J0J-80DLF](#) [10120130-Q0J-10DLF](#) [10120130-R0J-80DLF](#)  
[10120130-W0J-40DLF](#) [10120130-J0J-50DLF](#) [10120130-T0J-80DLF](#) [10120130-M0J-40DLF](#) [10120130-B0J-80DLF](#)  
[10120130-T0J-60DLF](#) [10120130-V0J-70DLF](#) [10120130-G0J-40DLF](#) [10120130-L0J-80DLF](#) [10120130-P0J-10DLF](#)  
[10120130-Q0J-70DLF](#) [10120130-H0J-70DLF](#) [10120130-L0J-60DLF](#) [10120130-P0J-30DLF](#) [10120130-P0J-50DLF](#)  
[10120130-M0J-60DLF](#) [10120130-Q0J-50DLF](#) [10120130-C0J-70DLF](#) [10120130-E0J-50DLF](#) [10120130-E0J-10DLF](#)  
[10120130-F0J-30DLF](#) [10120130-H0J-60DLF](#) [10120130-D0J-30DLF](#) [10120130-C0J-20DLF](#) [10120130-00J-80DLF](#)  
[10120130-F0J-50DLF](#) [10120130-10J-30DLF](#) [10120130-B0J-50DLF](#) [10120130-C0J-50DLF](#) [10120130-10J-70DLF](#)  
[10120130-B0J-60DLF](#) [10120130-10J-80DLF](#) [10120130-10J-10DLF](#) [10120130-10J-50DLF](#) [10120130-B0J-40DLF](#)  
[10120130-U0J-80DLF](#) [10120130-Y0J-10DLF](#) [10120130-Y0J-60DLF](#) [10120130-00J-20DLF](#) [10120130-E0J-60DLF](#)  
[10120130-V0J-50DLF](#) [10120130-T0J-20DLF](#) [10120130-Q0J-30DLF](#) [10120130-B0J-10DLF](#) [10120130-Q0J-60DLF](#)  
[10120130-R0J-50DLF](#) [10120130-U0J-60DLF](#) [10120130-M0J-10DLF](#) [10120130-W0J-10DLF](#) [10120130-F0J-70DLF](#)  
[10120130-L0J-10DLF](#) [10120130-L0J-20DLF](#) [10120130-M0J-50DLF](#) [10120130-E0J-30DLF](#) [10120130-P0J-60DLF](#)  
[10120130-P0J-80DLF](#) [10120130-R0J-20DLF](#) [10120130-00J-40DLF](#) [10120130-C0J-40DLF](#) [10120130-P0J-40DLF](#)  
[10120130-M0J-70DLF](#) [10120130-P0J-20DLF](#) [10120130-R0J-40DLF](#) [10120130-T0J-10DLF](#) [10120130-00J-60DLF](#)  
[10120130-Y0J-40DLF](#) [10120130-H0J-10DLF](#) [10120130-A0J-40DLF](#) [10120130-J0J-10DLF](#) [10120130-Y0J-30DLF](#)  
[10120130-A0J-20DLF](#) [10120130-10J-60DLF](#) [10120130-C0J-10DLF](#) [10120130-G0J-30DLF](#) [10120130-L0J-50DLF](#)  
[10120130-M0J-20DLF](#) [10120130-V0J-20DLF](#) [10120130-W0J-70DLF](#) [10120130-Y0J-80DLF](#) [10120130-M0J-80DLF](#)  
[10120130-T0J-30DLF](#) [10120130-V0J-60DLF](#) [10120130-B0J-20DLF](#) [10120130-L0J-40DLF](#) [10120130-F0J-80DLF](#)