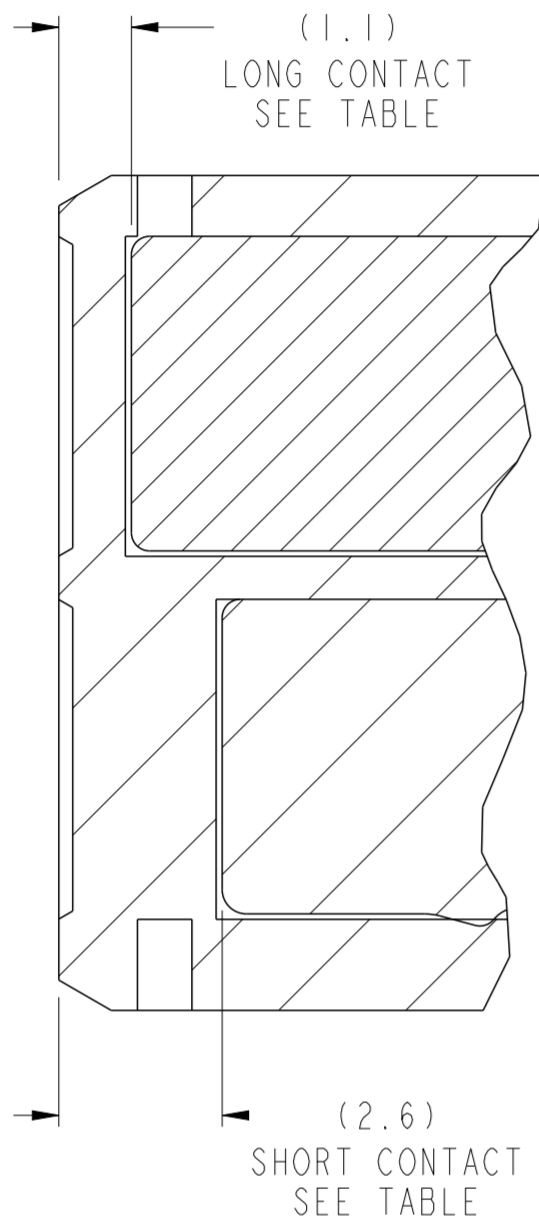
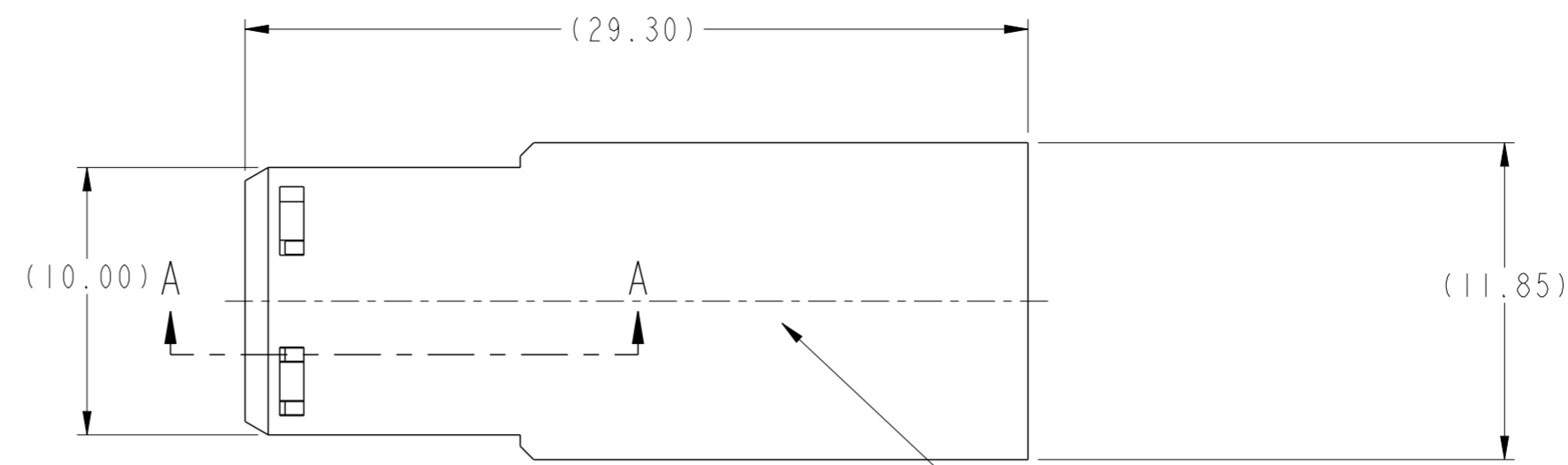
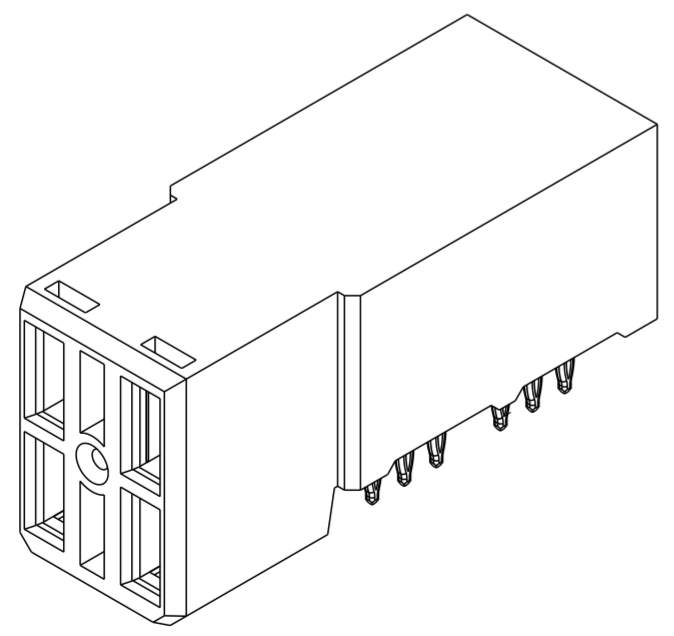
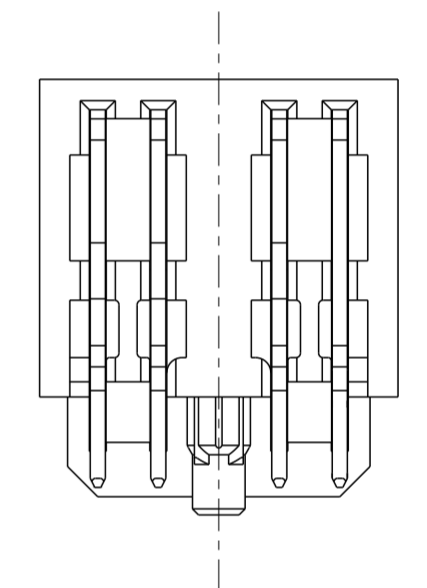
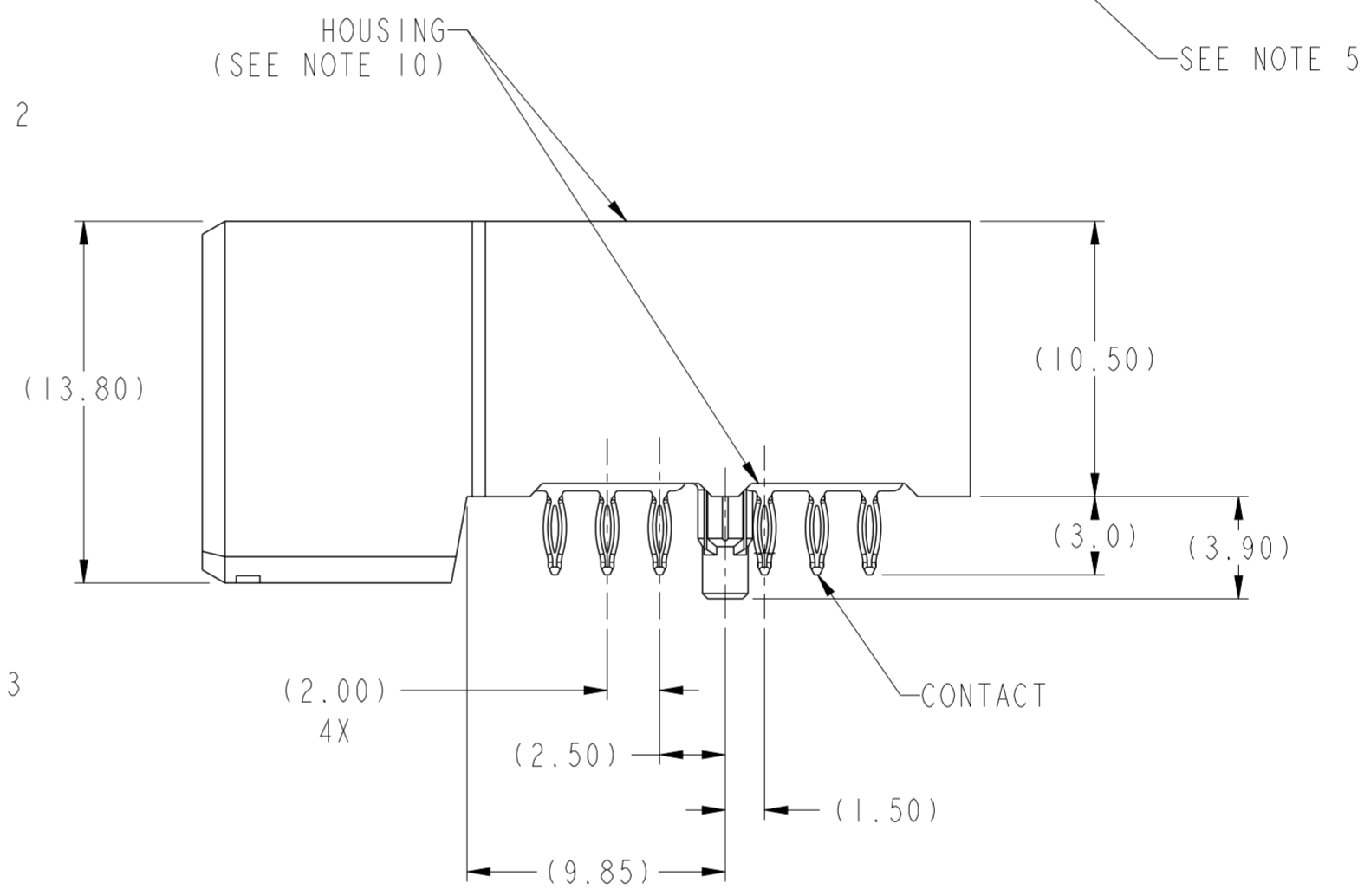
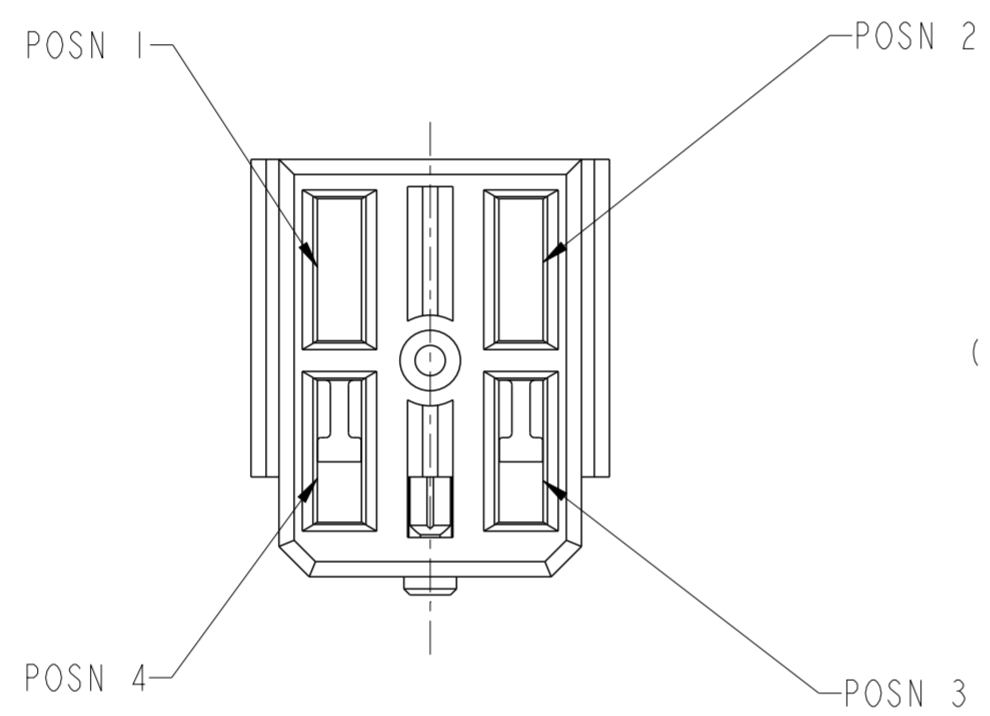


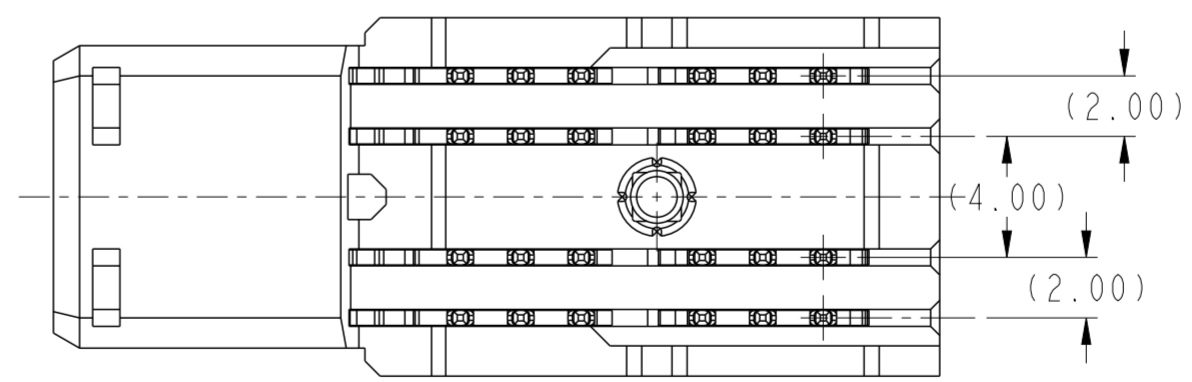
PRODUCT NUMBER ("LF" DENOTES LEAD-FREE)	CONTACT PLATING NOTE	CONTACT DEPTH (SEE SECTION A-A)				ROHS COMPATIBILITY
		POSN 1	POSN 2	POSN 3	POSN 4	
10052620-4444P00LF	2a	LONG	LONG	LONG	LONG	SEE NOTE 8
10052620-5555P00LF	2a	SHORT	SHORT	SHORT	SHORT	SEE NOTE 8
10052620-4555P00LF	2a	LONG	SHORT	SHORT	SHORT	SEE NOTE 8
10052620-5455P00LF	2a	SHORT	LONG	SHORT	SHORT	SEE NOTE 8
10052620-5545P00LF	2a	SHORT	SHORT	LONG	SHORT	SEE NOTE 8
10052620-5554P00LF	2a	SHORT	SHORT	SHORT	LONG	SEE NOTE 8
10052620-4554P00LF	2a	LONG	SHORT	SHORT	LONG	SEE NOTE 8
10052620-5455P00	2b	SHORT	LONG	SHORT	SHORT	NA



SECTION A-A  
SCALE 8:1



SCALE 3:1



TOLERANCES UNLESS OTHERWISE SPECIFIED		
LINEAR	0.X	±0.3
	0.XX	±0.10
	0.XXX	±0.050
ANGULAR	0°	±2°

TOLERANCES UNLESS OTHERWISE SPECIFIED	
surface	✓
linear	0.X ±0.3 0.XX ±0.10 0.XXX ±0.050
angular	0° ±2°

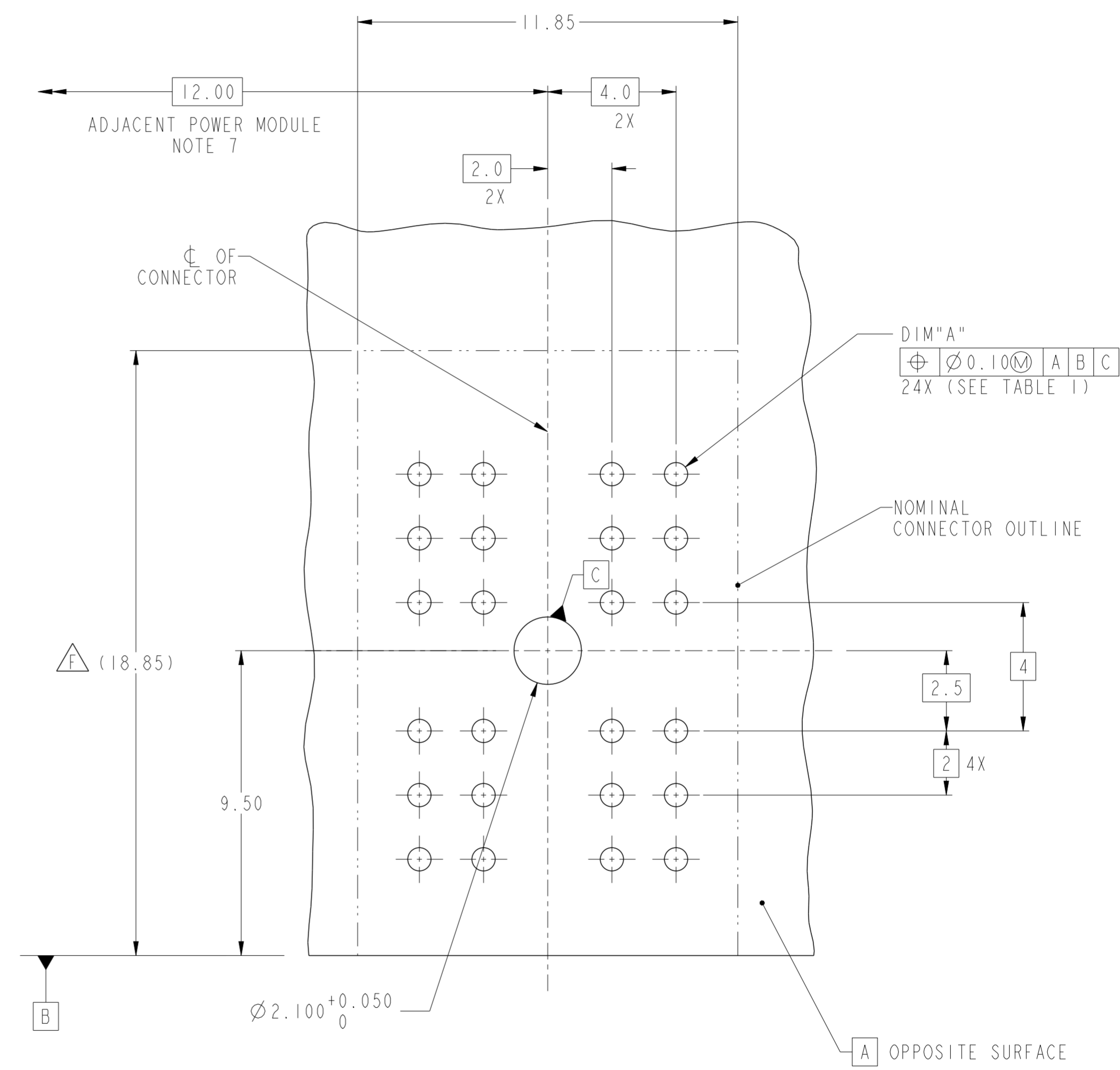
spec ref	GS-12-220	dr	wcadmin	2007/02/09	projection	MM	size	A2	scale	1:1
tolerance std	ASME Y14.5	eng	Suzie Nah	2014/07/14	chr	-	ecn no	ELX-S-18277-1	rel level	Released
app	Chen-Hong Tan	2014/08/20	product family	2mm High Power	cat. no.	-	Product	Customer Drw	sheet 1 of 2	
TITLE		R/A RECEPTACLE POWER ASSEMBLY (2X2)		dwg no		10052620		rev		F

Copyright FCI.  
FCI

TOP LAYER DESCRIPTION	TABLE I PLATED THROUGH-HOLE REQUIREMENTS							
	DRILLED HOLE DIAMETER	COPPER THICKNESS	TIN-LEAD THICKNESS	NICKEL THICKNESS	GOLD THICKNESS	TIN THICKNESS	SILVER THICKNESS	FINISHED HOLE DIAMETER (DIM"A")
TIN-LEAD	0.81-0.86 (0.85 DRILL)	0.025 - 0.050	0.005 - 0.015	--	--	--	--	0.65 - 0.80
IMMERSION TIN	0.81-0.86 (0.85 DRILL)	0.025 - 0.050	--	--	--	0.9 - 1.5um	--	0.70 - 0.80
IMMERSION SILVER	0.81-0.86 (0.85 DRILL)	0.025 - 0.050	--	--	--	--	0.15 - 0.65um	0.70 - 0.80
COPPER (SEE NOTE 11)	0.81-0.86 (0.85 DRILL)	0.025 - 0.050	--	--	--	--	--	0.70 - 0.80
GOLD	0.81-0.86 (0.85 DRILL)	0.025 - 0.050	--	0.003 - 0.007	FLASH UP TO 0.0002	--	--	0.69 - 0.80

NOTES:

1. CONNECTOR MATERIALS:  
HOUSING: HIGH TEMPERATURE THERMOPLASTIC, BLACK  
UL 94V-0 COMPLIANT  
CONTACT: HIGH PERFORMANCE COPPER ALLOY
2. a) CONTACT PLATING (LEAD FREE):  
PRESS-FIT TAIL: 0.5um MIN MATTE TIN OVER NICKEL.  
SEPARABLE INTERFACE: 0.76um MIN GXT OVER NICKEL.  
b) CONTACT PLATING (LEADED):  
PRESS-FIT TAIL: 0.5um MIN TIN-LEAD OVER NICKEL.  
SEPARABLE INTERFACE: 0.76um MIN GXT OVER NICKEL.
3. PRODUCT SPECIFICATION: GS-12-220
4. APPLICATION SPECIFICATION: GS-20-023
5. PRODUCT MARKING (PRODUCT NUMBER & DATE CODE) ON HOUSING IN AREA SHOWN.
6. MINIMUM NOMINAL PCB THICKNESS: 1.6mm
7. REFER TO CUSTOMER DRAWING 10035911 FOR INFORMATION REGARDING PCB LAYOUT OF POWER AND GUIDE MODULES RELATIVE TO SIGNAL MODULES.
8. PRODUCT MEETS EUROPEAN UNION DIRECTIVES AND OTHER COUNTRY REGULATIONS AS DESCRIBED IN FCI SPECIFICATION GS-22-008.
9. PACKAGING MEETS FCI SPECIFICATION GS-14-920.
10. HOUSING COMPONENT WILL WITHSTAND EXPOSURE TO 260°C PEAK TEMPERATURE FOR 60 SECONDS IN A CONVECTION, INFRA-RED, OR VAPOR PHASE REFLOW OVEN.
11. COPPER PLATING THICKNESS IN CENTER OF VIA-HOLE CAN BE NO MORE THAN 0.003 LESS THAN OTHER AREAS.



RECOMMENDED PCB LAYOUT  
COMPONENT SIDE NOTE 6 SCALE  
4:1

spec ref	GS-12-220	dr	wcadmin	2007/02/09	projection	MM	size	A2	scale	1:1
tolerance std	ASME Y14.5	eng	Suzie Nah	2014/07/14	chr	-	ecn no	ELX-S-18277-1	rel level	Released
surface	✓	appr	Chen-Hong Tan	2014/08/20	product family	2mm High Power	rel level	Released	cat. no.	-
ASME Y14.5	linear	0.X	±0.3	0.XX	±0.10	0.XXX	±0.050	angular	0°	±2°
www.fci.com		R/A RECEPTACLE POWER ASSEMBLY (2X2)		10052620		F		Product - Customer Drw		sheet 2 of 2

# Mouser Electronics

Authorized Distributor

Click to View Pricing, Inventory, Delivery & Lifecycle Information:

[FCI:](#)

[10052620-5545P00LF](#) [10052620-5554P00LF](#)