

HC-DS-PG36-E


Order No.: 1676912



<http://eshop.phoenixcontact.de/phoenix/treeViewClick.do?UID=1676912>

Pg pressure screw, standard design; for housing with Pg36 support

Commercial data

GTIN (EAN)	 4 017918 129538
Note	Made-to-order
sales group	D092
Pack	10 pcs.
Customs tariff	85369010
Catalog page information	Page 597 (PC-2011)

Product notes

WEEE/RoHS-compliant since:
01/31/2006



<http://www.download.phoenixcontact.com>
Please note that the data given here has been taken from the online catalog. For comprehensive information and data, please refer to the user documentation. The General Terms and Conditions of Use apply to Internet downloads.

Technical data

General data

Material, pressure screw	Nickel-plated brass
Wrench size, union nut	47 mm
Thread type connection side 1	Pg36

Certificates / Approvals

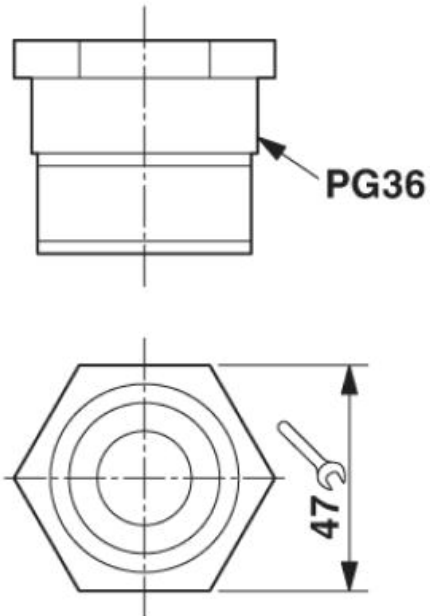


Certification

GOST

Diagrams/Drawings

Dimensioned drawing



Address

PHOENIX CONTACT Inc., USA
586 Fulling Mill Road
Middletown, PA 17057, USA
Phone (800) 888-7388
Fax (717) 944-1625
<http://www.phoenixcon.com>



© 2011 Phoenix Contact
Technical modifications reserved;