


# HC-DS-PG13-E

Order No.: 1676873



<http://eshop.phoenixcontact.de/phoenix/treeViewClick.do?UID=1676873>

PG pressure screw set, standard version; for housing with PG13.5 support; consisting of pressure screw, notched seal and 2 washers

Commercial data	
GTIN (EAN)	 4 017918 129491
Note	Made-to-order
sales group	D092
Pack	10 pcs.
Customs tariff	85369010
Catalog page information	Page 597 (PC-2011)

**Product notes**

WEEE/RoHS-compliant since:  
01/31/2006



<http://www.download.phoenixcontact.com>  
Please note that the data given here has been taken from the online catalog. For comprehensive information and data, please refer to the user documentation. The General Terms and Conditions of Use apply to Internet downloads.

Technical data	
<b>General data</b>	
Material, pressure screw	Nickel-plated brass
Wrench size, union nut	20 mm
Thread type connection side 1	Pg13.5

### Certificates / Approvals



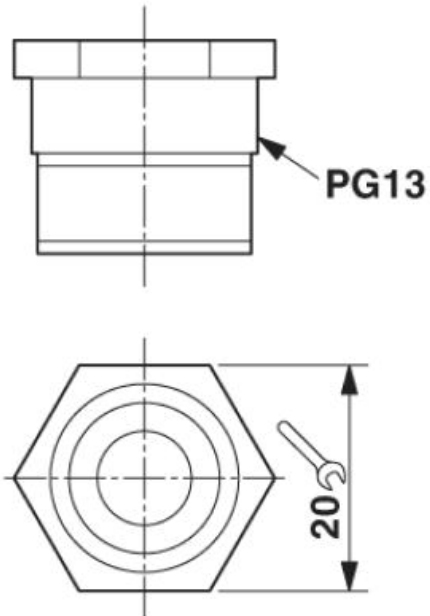
Certification

GOST

---

### Diagrams/Drawings

Dimensioned drawing



**Address**

PHOENIX CONTACT Inc., USA  
586 Fulling Mill Road  
Middletown, PA 17057, USA  
Phone (800) 888-7388  
Fax (717) 944-1625  
<http://www.phoenixcon.com>



© 2011 Phoenix Contact  
Technical modifications reserved;