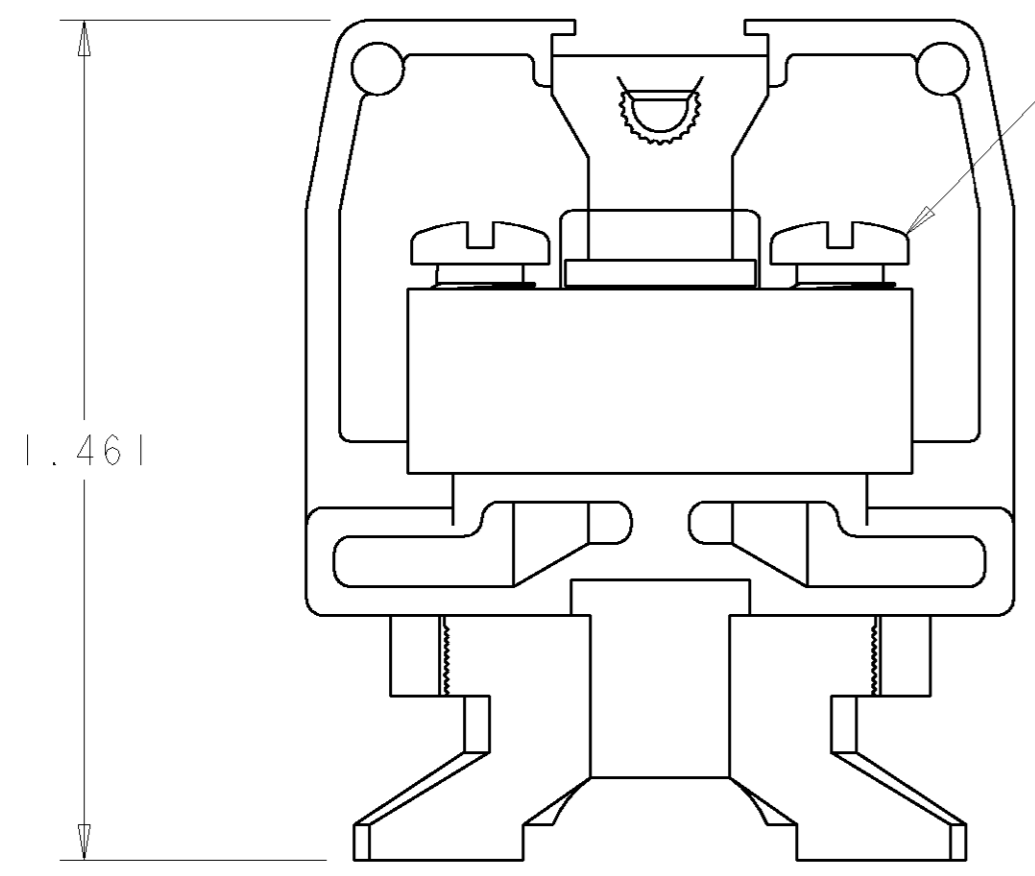
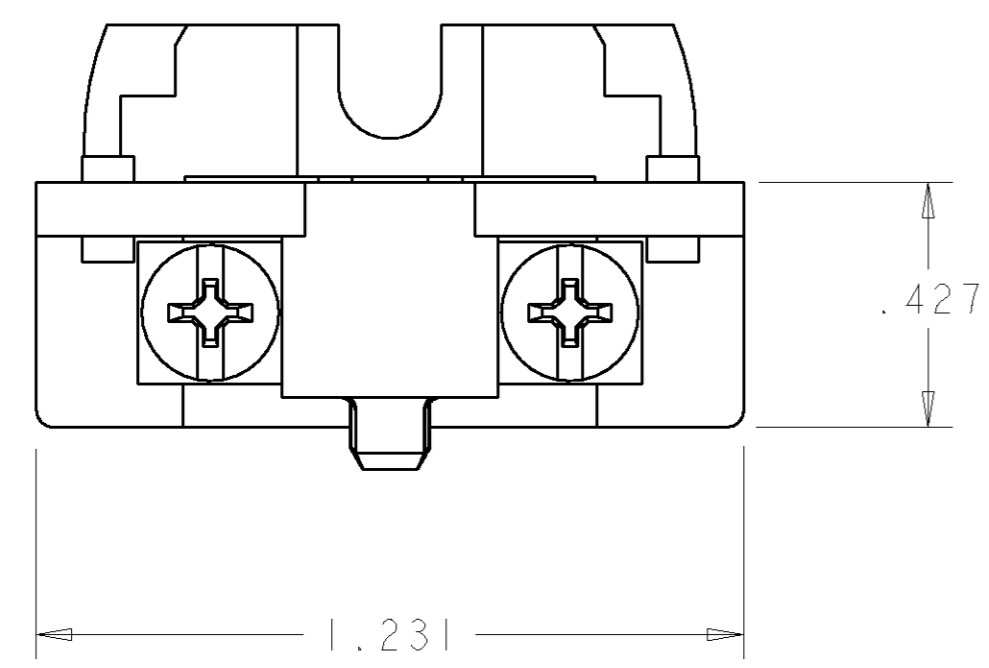


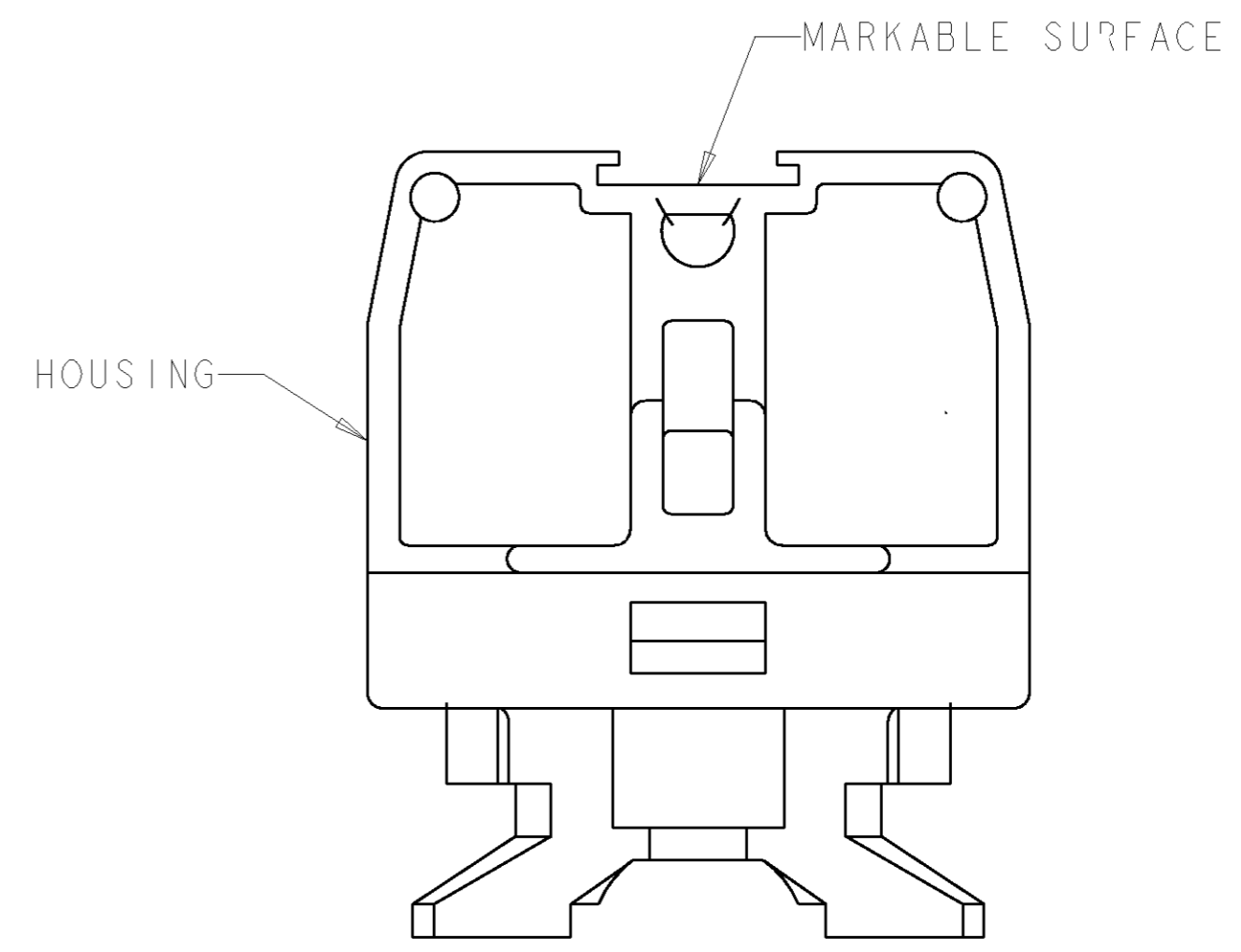
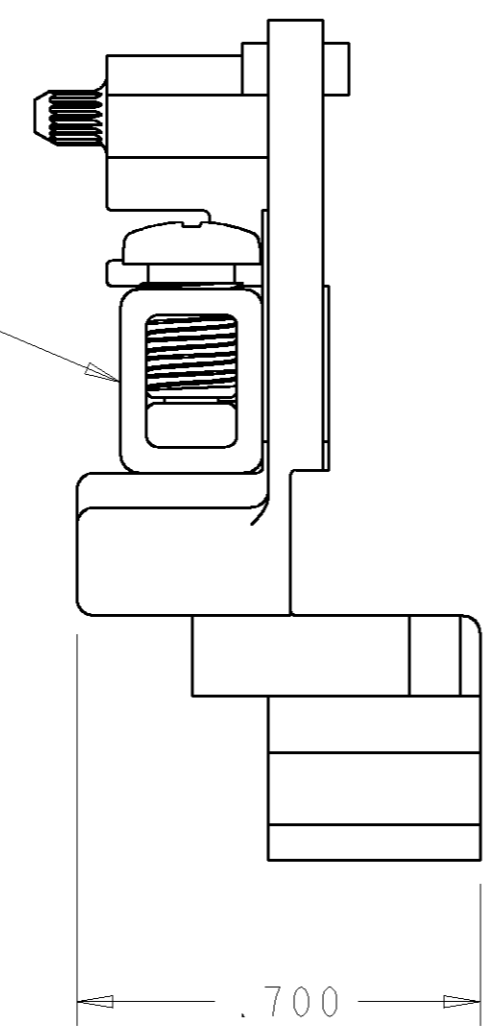
THIS DRAWING IS UNPUBLISHED. RELEASED FOR PUBLICATION 20
 © COPYRIGHT 20 BY TYCO ELECTRONICS CORPORATION. ALL RIGHTS RESERVED.

LOC	DIST	REVISIONS					
		P	LTR	DESCRIPTION	DATE	DWN	APVD
	0	F		DRAWING REV UPDATED TO MATCH PART REVISION	23FEB2015	NV	PS



10-32 SCREW ASSY
 QTY: 2

TUBULAR CONTACT



1 PHYSICAL PROPERTIES (STANDARD)
 HOUSING: POLYESTER, UL 94V-0 RATED, COLOR: GRAY.
 TUBULAR CONTACT: COPPER ALLOY, ZINC PLATED.
 SCREW ASSY - SCREW: STEEL, ZINC PLATED CLEAR CHROMATE.
 CUP CLAMP: COPPER ALLOY, UNPLATED.

2 PHYSICAL PROPERTIES (DURAMAX)
 HOUSING: POLYESTER, UL 94V-0 RATED, COLOR: GRAY.
 TUBULAR CONTACT: COPPER ALLOY, NICKEL PLATED.
 SCREW ASSY - SCREW: STEEL, NICKEL PLATED.
 CUP CLAMP: COPPER ALLOY, NICKEL PLATED

3. MECHANICAL
 PITCH: .375
 MOUNTING: STANDARD CHANNEL AND CLAMP.
 OPERATING TEMPERATURE: 150°C MAX.
 TORQUE: RECOMMENDED TIGHTENING TORQUE IS 8 IN-LBS.

4. ELECTRICAL
 MAXIMUM CURRENT: 30A
 OPERATING VOLTAGE: 600 V
 WIRE RANGE: 10-22 AWG.

5 SEE RESTRICTED CUSTOMER DRAWING 4-1437394-6.

-	4-1437394-6	5
2	1546235-2	
1	1546235-1	
MATERIAL / FINISH	PART NUMBER	

THIS DRAWING IS A CONTROLLED DOCUMENT FOR TYCO ELECTRONICS CORPORATION IT IS SUBJECT TO CHANGE AND THE CONTROLLING ENGINEERING ORGANIZATION SHOULD BE CONTACTED FOR THE LATEST REVISION.		DWN S. WELDON 15 JAN 2002	TE Connectivity ASSEMBLY, TERMINAL BLOCK, NEMA, DOVETAIL BASE, MEDIUM DUTY, TUBULAR CLAMP	
DIMENSIONS: INCHES		CHK S. YODER 15 JAN 2002		
TOLERANCES UNLESS OTHERWISE SPECIFIED:		APVD S. YODER 15 JAN 2002		
0 PLC ± 1 PLC ±0.0 2 PLC ±0.00 3 PLC ±0.010 4 PLC ±0.0000 ANGLES ±		PRODUCT SPEC -		
MATERIAL SEE TABLE	FINISH SEE TABLE	APPLICATION SPEC -	WEIGHT -	SIZE A2
CUSTOMER DRAWING		SCALE 3:1	SHEET 1 OF 1	REV F

Mouser Electronics

Authorized Distributor

Click to View Pricing, Inventory, Delivery & Lifecycle Information:

[TE Connectivity:](#)

[1546235-1](#)