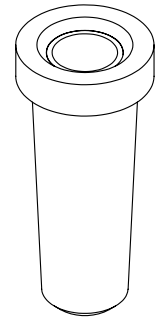
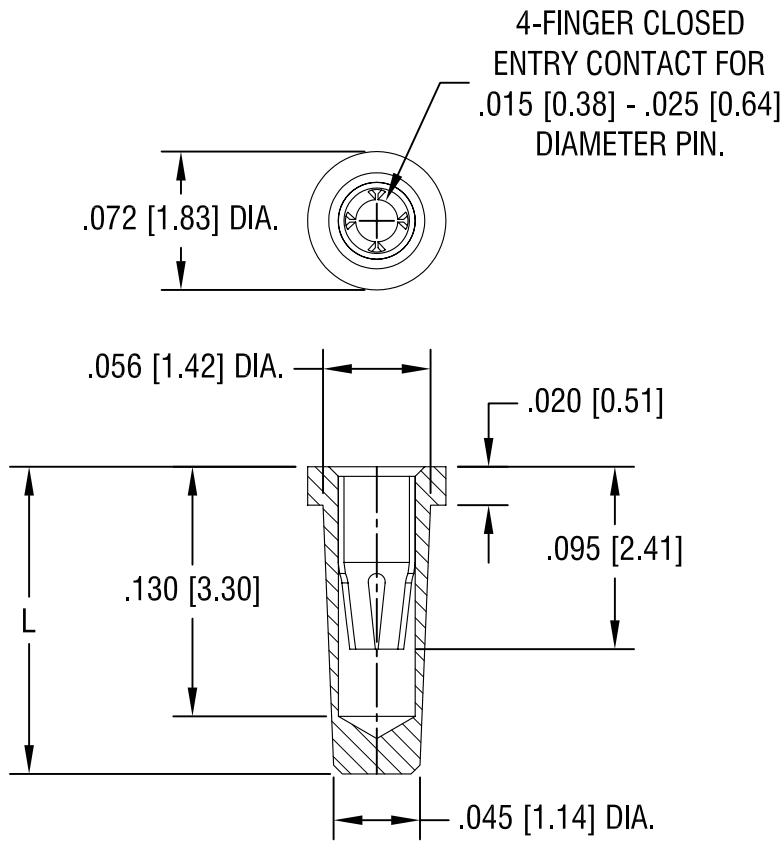


THIS DOCUMENT IS THE PROPERTY OF  
KEYSTONE ELECTRONICS CORP. AND  
SHALL NOT BE REPRODUCED, DISTRIBUTED  
OR USED AS A BASIS FOR MANUFACTURE  
WITHOUT PRIOR WRITTEN PERMISSION  
FROM KEYSTONE ELECTRONICS CORP.



PART NO.	'L' DIM.
1469-1	.160 [4.06]
1469-2	.190 [4.83]

NOTES:

1. BODY: MAT'L - BRASS  
FINISH- TIN / LEAD PLATE
2. SPRING CONTACT: MAT'L - BERYLLIUM COPPER  
FINISH- GOLD PLATE
3. MOUNTING HOLE DIA.: .055 [1.40] MIN.

TOLERANCE ON DIAMETERS:  $\pm .002$

<b>KEYSTONE ELECTRONICS CORP.</b>			
www.keyelco.com • ASTORIA, N.Y. 11105-2017 • Tel (718) 956-8900			
PART NAME		MICRO JACK, TAPER-FIT	
MATERIAL		AS NOTED	
FINISH		DRN BY	DATE
AS NOTED		NT	8.05.08
		APP'D	SCALE
		LN	10X
TOLERANCES	INCH [MM]	CODE	DWG NO.
DECIMAL	$\pm .005$ [ $\pm 0.15$ ]	C/M	<b>1469-1 - 1469-2</b>
ANGULAR	$\pm 1^\circ$		
UNLESS OTHERWISE SPECIFIED			

DATE	DESCRIPTION	REV.

# Mouser Electronics

Authorized Distributor

Click to View Pricing, Inventory, Delivery & Lifecycle Information:

[Keystone Electronics:](#)

[1469-1](#)