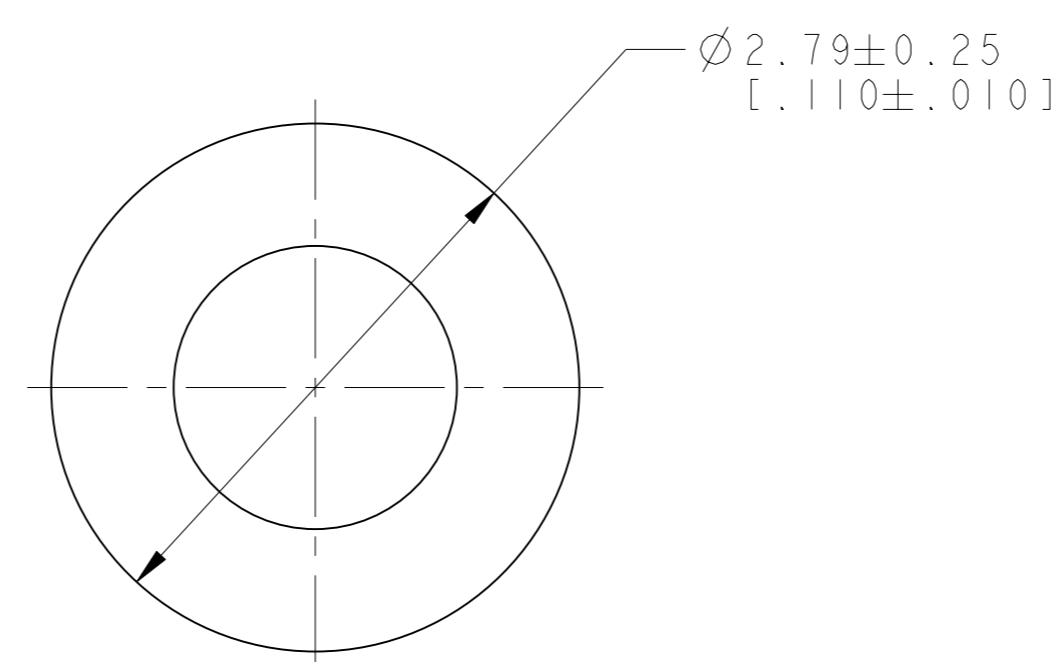
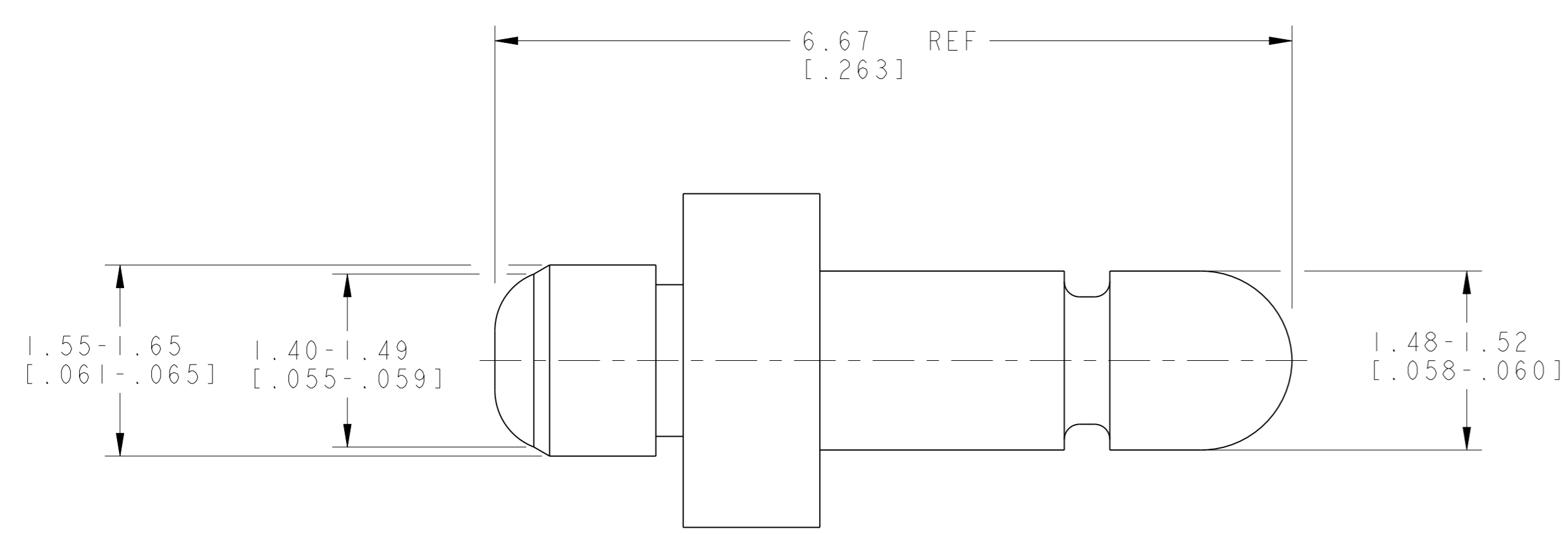
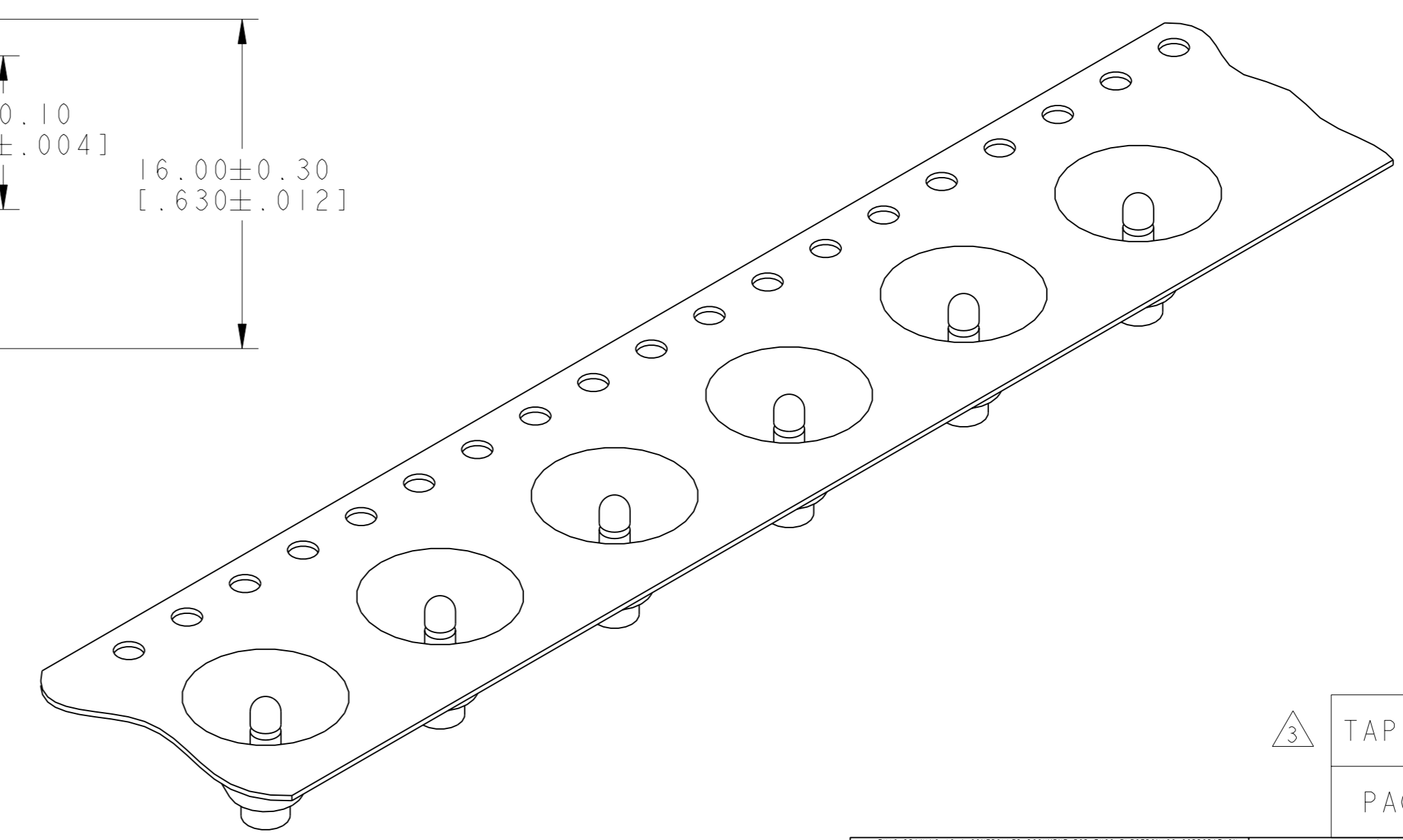
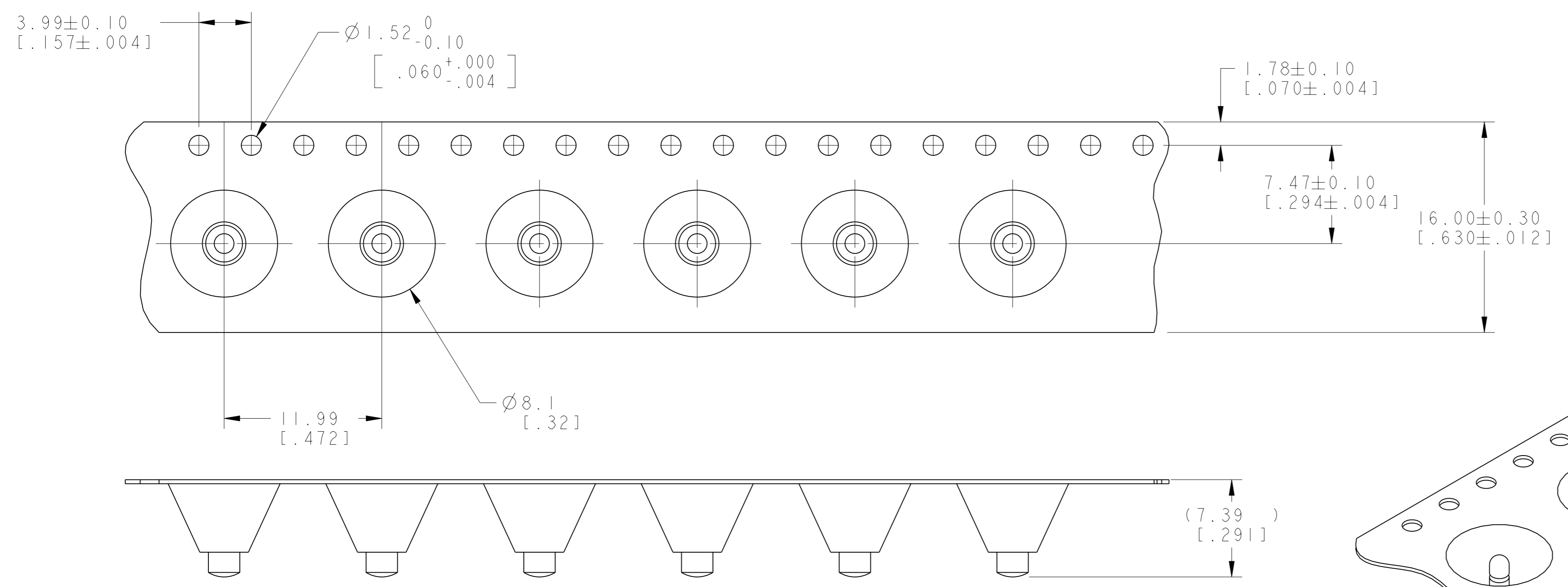
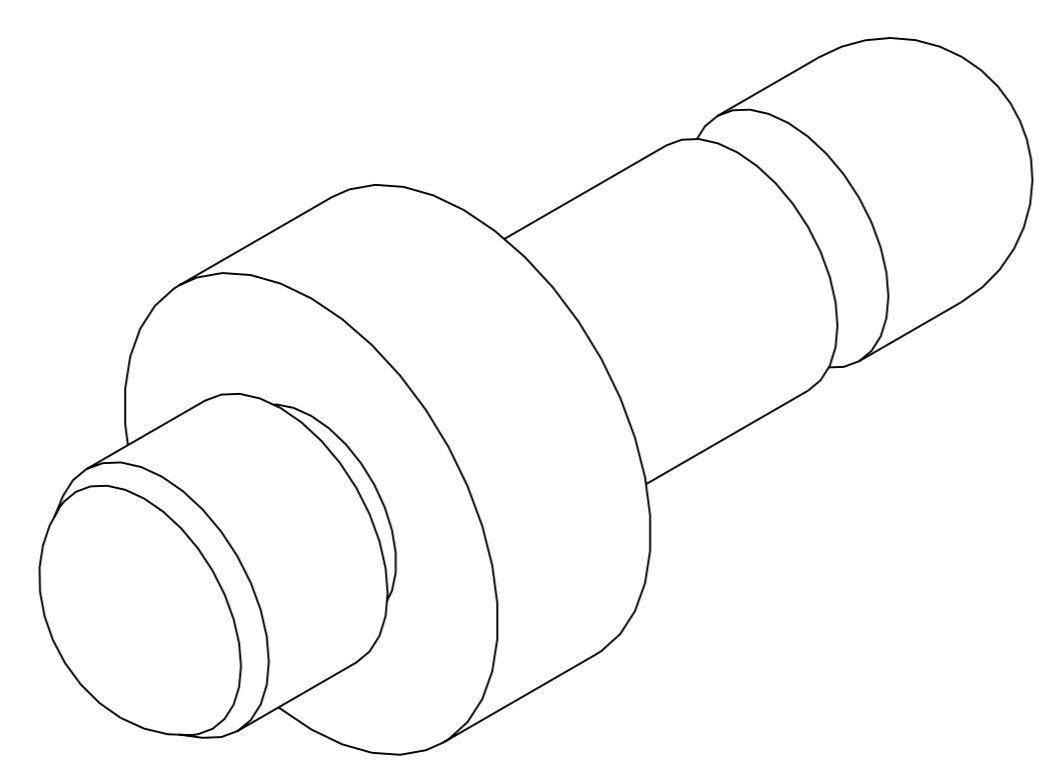


LOC		DIST		REVISIONS			
F	LYR	DESCRIPTION	DATE	DWN	APVD		
A		RELEASED PER WR-05-44	01AUG05	KW	JE		



- △ PLATED WITH 0.00381 - 0.0635 [0.000150 - .000250] BRIGHT TIN ALL OVER.
- 2. PARTS TO COMPLY WITH TYCO ELECTRONICS SOLDERABILITY SPEC 109-11-2.
- △ COVER TAPE HEAT SEALED. REEL COUNT 1200 PIECES, 6 REELS PER BOX.



TAPE AND REEL DETAIL FOR 1744160-3  
 SCALE 4:1

METRIC

△ 3	TAPE & REEL	△	1744160-3
	PACKAGING	FINISH	PART NO

<small>THIS DRAWING IS A CONTROLLED DOCUMENT FOR TYCO ELECTRONICS CORPORATION. IT IS UNPUBLISHED AND IS TO BE KEPT UNPUBLISHED AND UNCONTROLLED FOR THE USER'S PROTECTION.</small>		DWN K. WHITAKER	01AUG2005	<b>tyco</b> Electronics Tyco Electronics Harrisburg, PA 17105-3608
DIMENSIONS: mm [INCHES]		CHK J. ELLIS	01AUG2005	
TOLERANCES UNLESS OTHERWISE SPECIFIED: 0 PLC ± 1 PLC ± 2 PLC ±0.13 (1.005) 3 PLC ± 4 PLC ± ANGLES 40° 30'		APVD J. ELLIS	01AUG2005	NAME PIN, .058 DIAMETER, BRASS, SOLID, P.C. CONTACT
MATERIAL △		APPLICATION SPEC 114-1008		SIZE A
FINISH △		WEIGHT -		CUSTOMER DRAWING SCALE 25:1 SHEET 1 OF 1 REV A

# Mouser Electronics

Authorized Distributor

Click to View Pricing, Inventory, Delivery & Lifecycle Information:

[TE Connectivity:](#)

[1744160-3](#)