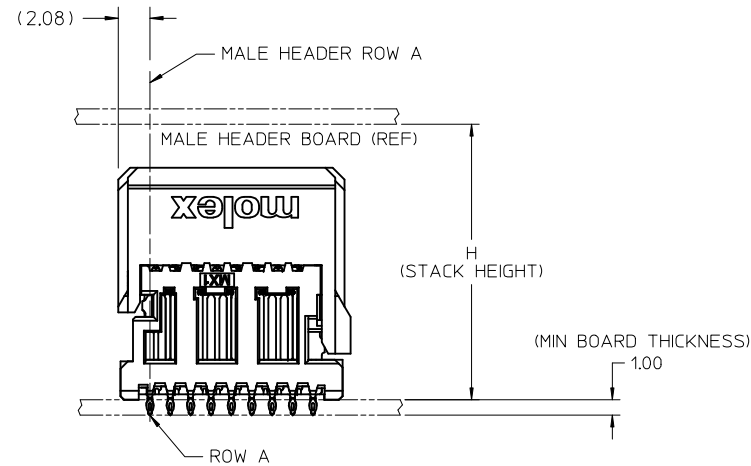
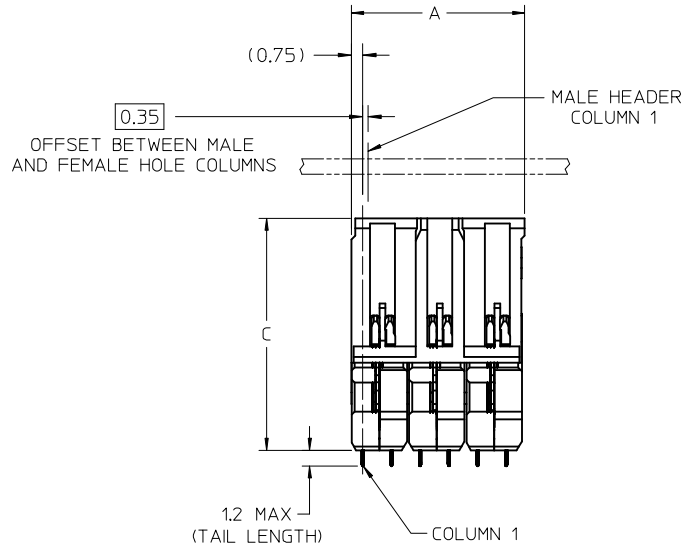
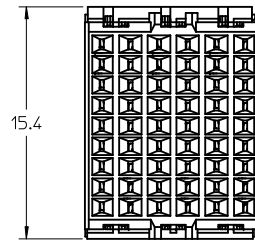


NOTES:

1. MATERIALS: HOUSING - LIQUID CRYSTAL POLYMER (LCP), GLASS-FILLED, UL94V-0
TERMINALS - HIGH PERFORMANCE COPPER ALLOY
2. FINISH: 30µIN SELECTIVE GOLD IN CONTACT AREA, SELECTIVE MATTE TIN OR
SELECTIVE TIN/LEAD ON PCB TAILS, NICKEL OVERALL.
3. EACH SIGNAL WAFER CONTAINS 2 COLUMNS OF TERMINALS.
4. PRODUCT SHALL BE PACKAGED PER PK-70873-0050 (18mm), PK-70873-0051 (22mm).
5. FOR FURTHER INFORMATION SEE PRODUCT SPECIFICATION PS-76060-999.
6. THIS PART CONFORMS TO CLASS B REQUIREMENTS OF COSMETIC SPEC PS-45499-002.
7. REFER TO MOLEX SALES DRAWING SD-76165-001 AND CUSTOM PIN-OUT SERIES 76162
FOR THE MATING HEADERS.
8. REFER TO MOLEX PCB ROUTING GUIDE AS-76060-990 FOR ANTIPAD AND ROUTING
RECOMMENDATIONS.
9. *THESE DIMENSIONS REPRESENT THE AREA NEEDED TO ACCOMMODATE CONNECTOR
INSERTION & REPAIR ON THE PC BOARD. THIS IS REFERRED TO AS THE
"CONNECTOR KEEP OUT ZONE" AND DOES NOT REPRESENT THE ACTUAL PERIMETER
OF THE CONNECTOR. WHEN LAYING OUT A PC BOARD WITH CONNECTORS STACKED
TOGETHER, USE A 1.90mm PROGRESSION.*



REF DIMS WERE 0.73/2.07 EC NO: UCP2013-0629 DRWN:TPREMO 2012/08/15 CHKD:TELO 2012/08/15 APPR:TELO 2012/08/15	QUALITY SYMBOLS ▽=0 ▽=0 ▽=0	GENERAL TOLERANCES (UNLESS SPECIFIED)		DIMENSION STYLE MM ONLY		SCALE 4:1	DESIGN UNITS METRIC	THIRD ANGLE PROJECTION		
				mm	INCH	DRAWN BY TPREMO	DATE 2011/01/18	TITLE IMPACT 3-PAIR VERTICAL MEZZANINE UNGUIDED SALES DWG		
				4 PLACES ± --- ± ---	3 PLACES ± --- ± ---	CHECKED BY JJONIAK	DATE 2011/01/18			
				2 PLACES ± 0.10 ± ---	1 PLACE ± 0.25 ± ---	APPROVED BY JB INGHAM	DATE 2011/04/04	MOLEX MOLEX INCORPORATED DOCUMENT NO. SD-170415-001		
REV B1	DESCRIPTION	ANGULAR ± 1/2°		MATERIAL NO.		SHEET NO.				
		DRAFT WHERE APPLICABLE MUST REMAIN WITHIN DIMENSIONS		SEE SHEET 2		1 OF 2				
				SIZE C		THIS DRAWING CONTAINS INFORMATION THAT IS PROPRIETARY TO MOLEX INCORPORATED AND SHOULD NOT BE USED WITHOUT WRITTEN PERMISSION				

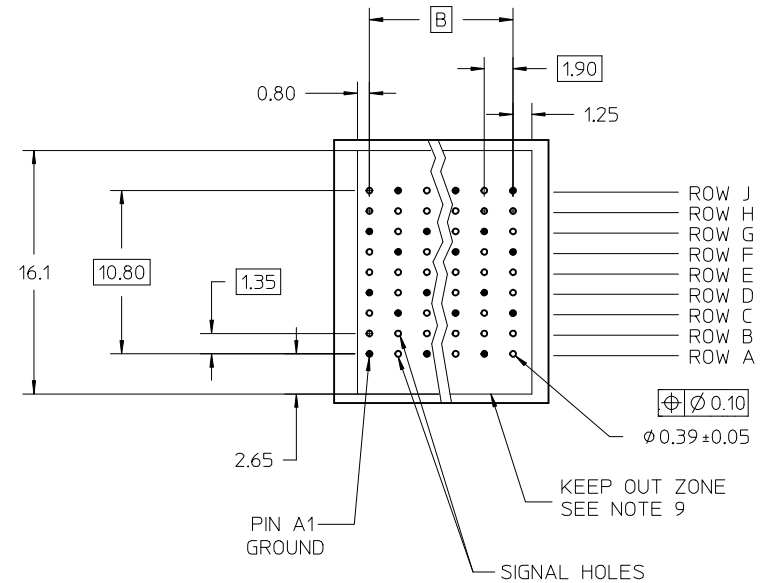
PART NUMBER	# OF COLUMNS	# OF DIFF PAIR	DIM "A"	DIM "B"	DIM "C"	STACK HEIGHT (H)
170415-1618	6	18	11.4	9.50	15.36	18.00
170415-1818	8	24	15.2	13.30	15.36	18.00
170415-1118	10	30	19.0	17.10	15.36	18.00
170415-1918	16	48	30.4	28.50	15.36	18.00
170415-1622	6	18	11.4	9.50	19.36	22.00
170415-1822	8	24	15.2	13.30	19.36	22.00
170415-1122	10	30	19.0	17.10	19.36	22.00
170415-1922	16	48	30.4	28.50	19.36	22.00

170415-1***

1 = OPEN LEAD-FREE

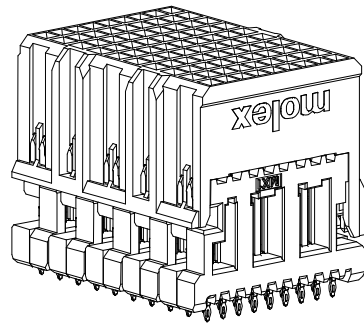
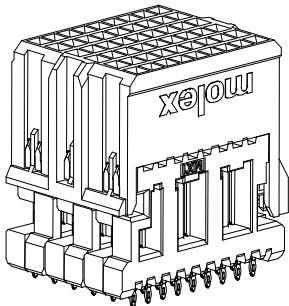
STACK HEIGHT
18 = 18mm
22 = 22mm

OF COLUMNS
6 = 6 COL 0.39 PTH
8 = 8 COL 0.39 PTH
1 = 10 COL 0.39 PTH
9 = 16 COL 0.39 PTH



6-COLUMN
18mm STACK HEIGHT

10-COLUMN
18mm STACK HEIGHT



SEE SHEET 1 EC NO: UCP2013-0629 DRWN:TPREMO 2012/08/15 CHKD:TELO 2012/08/15 APPR:TELO 2012/08/15	QUALITY SYMBOLS	GENERAL TOLERANCES (UNLESS SPECIFIED)	DIMENSION STYLE MM ONLY	SCALE 4:1	DESIGN UNITS METRIC	THIRD ANGLE PROJECTION
	▽=0	mm INCH	DRAWN BY DATE TPREMO 2011/01/18	TITLE IMPACT 3-PAIR VERTICAL MEZZANINE UNGUIDED SALES DWG		
	▽=0	4 PLACES ± --- ± ---	CHECKED BY DATE JJONIAK 2011/01/18	MOLEX INCORPORATED		
	▽=0	3 PLACES ± --- ± ---	APPROVED BY DATE JB INGHAM 2011/04/04	SD-170415-001		
REV	DESCRIPTION	ANGULAR ±1/2°	MATERIAL NO.	DOCUMENT NO.	SHEET NO. 2 OF 2	
B1		DRAFT WHERE APPLICABLE MUST REMAIN WITHIN DIMENSIONS	SEE CHART	THIS DRAWING CONTAINS INFORMATION THAT IS PROPRIETARY TO MOLEX INCORPORATED AND SHOULD NOT BE USED WITHOUT WRITTEN PERMISSION		