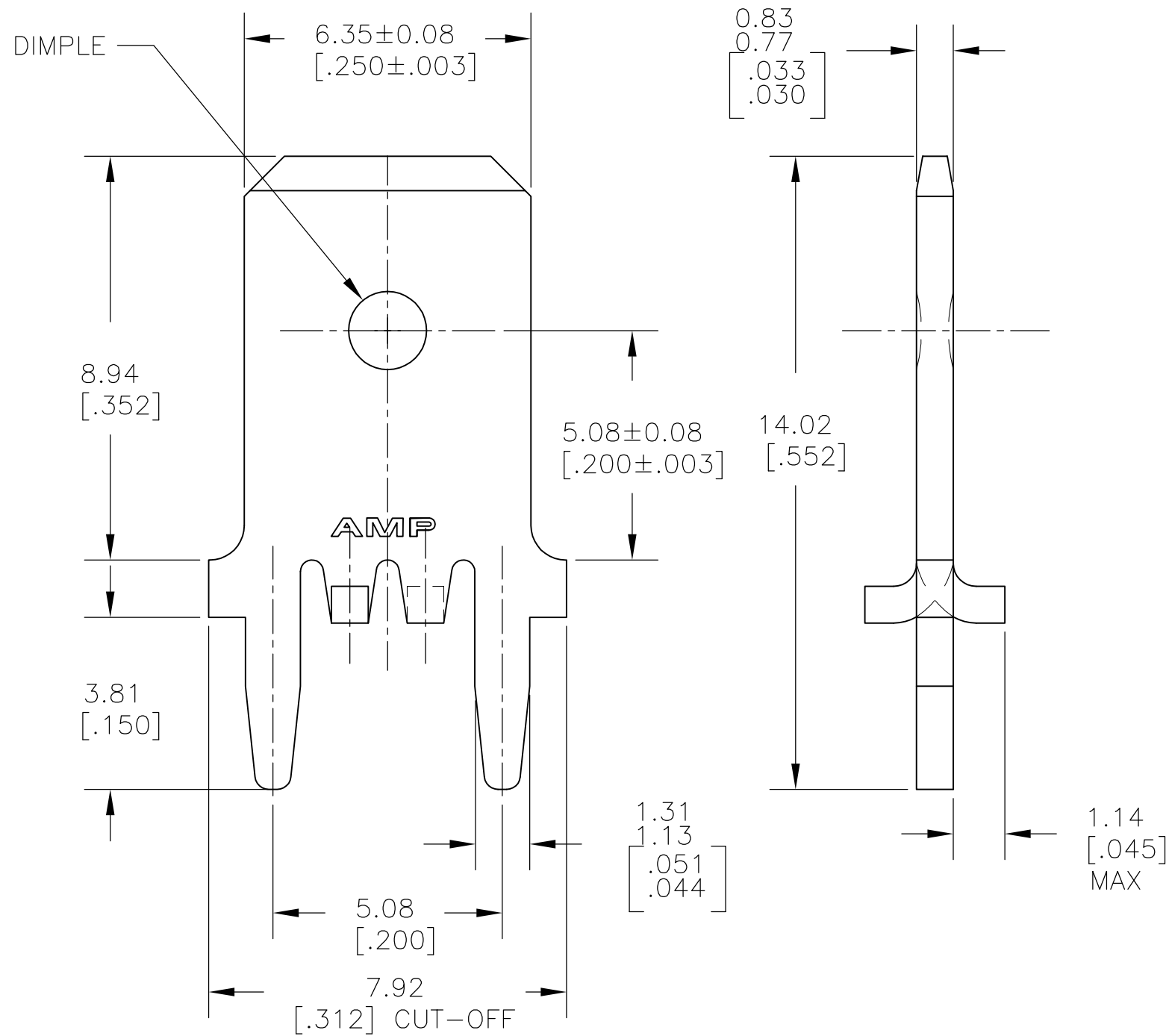
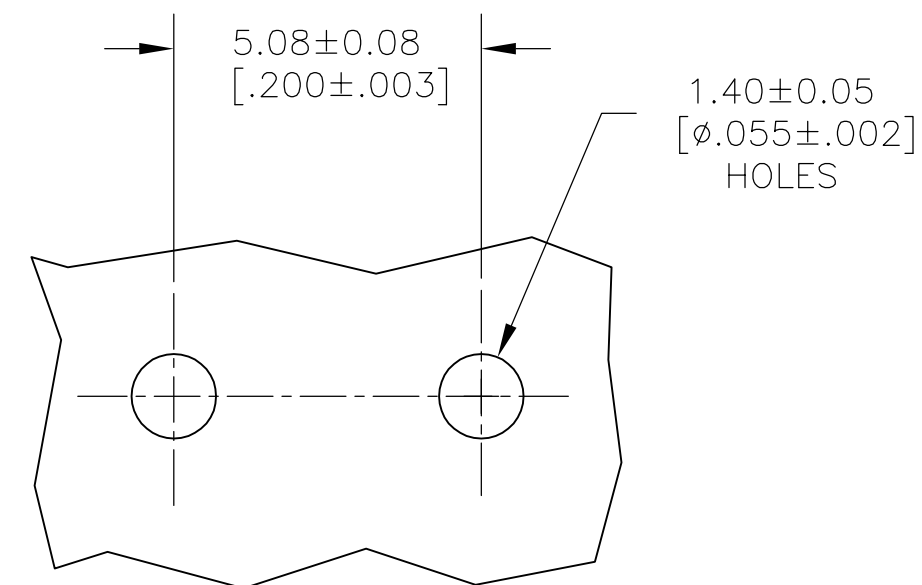


P	LTR	DESCRIPTION	DATE	DWN	APVD
	H	REVISED PER ECR-17-002070	09OCT2017	BDA	DH



- 1 CONTINUOUS STRIP ON REELS.
- 2 TIN PLATE 0.00381 [.000150] MIN OVER 0.00254 [.000100] MIN THK COPPER.
- 3 INTERLEAVING PAPER ADDED TO PACKAGING.



P.C. BOARD HOLE PATTERN

3	1217861-2
	1217861-1
	PART NO.

THIS DRAWING IS A CONTROLLED DOCUMENT.		DWN JR RUTH 24JUL02	STE TE Connectivity	
DIMENSIONS: mm [INCHES]		CHK MS FEHER 24JUL02		
TOLERANCES UNLESS OTHERWISE SPECIFIED:		APVD N DEIBERT 24JUL02	NAME	
0 PLC ± -		PRODUCT SPEC	TAB, FASTON, P.C.BOARD	
1 PLC ± -		APPLICATION SPEC	6.35 [.250]	
2 PLC ± 0.25 [.010]		114-2115	SIZE	CAGE CODE
3 PLC ± -		WEIGHT -	A3	00779
4 PLC ± -		CUSTOMER DRAWING	DRAWING NO C-1217861	
ANGLES ± -		SCALE 8:1	RESTRICTED TO -	
FINISH		SHEET 1 OF 1	REV H	
MATERIAL BRASS				

Mouser Electronics

Authorized Distributor

Click to View Pricing, Inventory, Delivery & Lifecycle Information:

[TE Connectivity:](#)

[1217861-1](#)