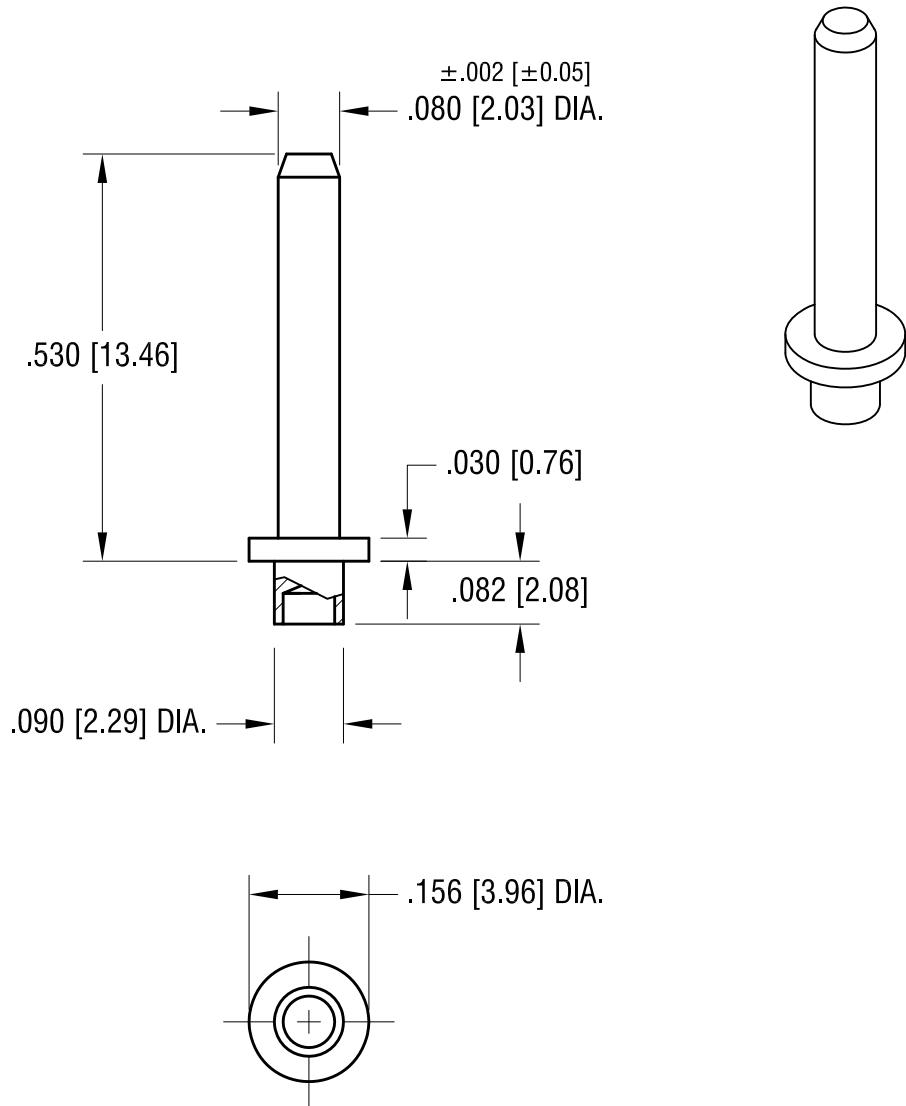


THIS DOCUMENT IS THE PROPERTY OF
KEYSTONE ELECTRONICS CORP. AND
SHALL NOT BE REPRODUCED, DISTRIBUTED
OR USED AS A BASIS FOR MANUFACTURE
WITHOUT PRIOR WRITTEN PERMISSION
FROM KEYSTONE ELECTRONICS CORP.



KEYSTONE ELECTRONICS CORP.

www.keyelco.com • ASTORIA, N.Y. 11105-2017 • Tel (718) 956-8900

PART NAME
MICRO PIN, SWAGE MOUNT

MATERIAL
BRASS

FINISH TIN PLATE	DRN BY BOONE	DATE 2.22.07
	APP'D LN	SCALE 4X

TOLERANCES DECIMAL ANGULAR UNLESS OTHERWISE SPECIFIED	INCH [MM] $\pm .005 [\pm 0.15]$ $\pm 1^\circ$	CODE C	DWG NO. 1365-2
--	---	------------------	--------------------------

3.10.11	CHANGE AS PER ECN 11-035	B
4.16.08	CHANGE AS PER ECN 08-101	A
DATE	DESCRIPTION	REV.

Mouser Electronics

Authorized Distributor

Click to View Pricing, Inventory, Delivery & Lifecycle Information:

[Keystone Electronics:](#)

[1365-2](#)