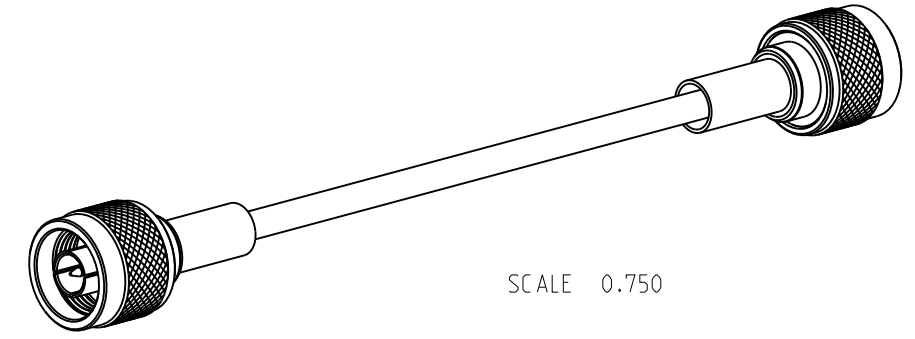


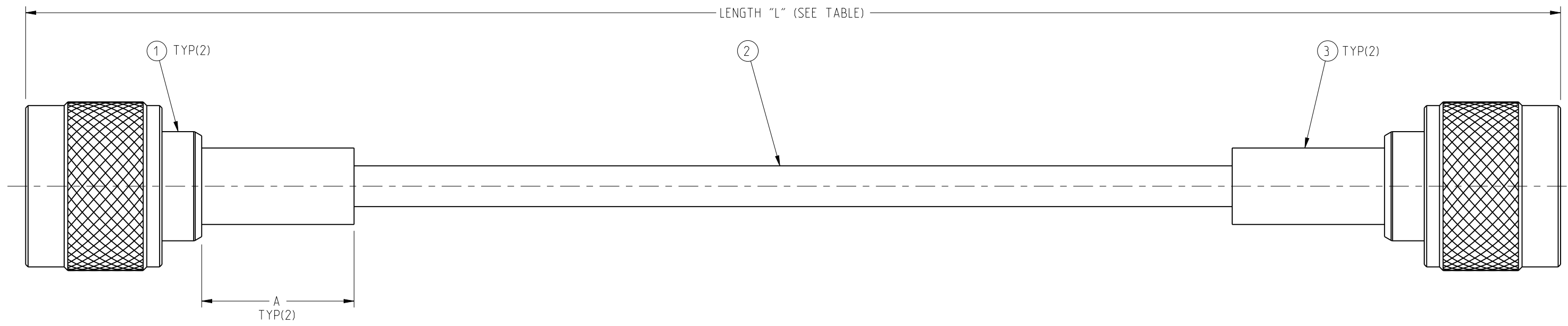
NOTES:

1. PACKAGE CABLE ASSEMBLY IN BAG. TAG IN BAG WITH "AMPHENOL CONNEX, 175101-22-XX-XX AND DATE CODE".
2. CABLE ASSEMBLY TO BE 100% TESTED FOR HI POT, CONTINUITY, SHORTS AND OPEN.

175101-22-XX.XX		REVISIONS			
DRAWING NO.	REV	DESCRIPTION	DATE	ECO	APPR
THIRD ANGLE PROJ.	A	RELEASE TO MFG.	28-Mar-12	--	KR



SCALE 0.750



CONNEX NUMBER	LENGTH INCHES	HST LENGTH INCHES (A)
175101-22-06.00	6 ±0.15	1 MIN
175101-22-12.00	12 ±0.15	1 MIN
175101-22-24.00	24 ±0.25	1 MIN
175101-22-36.00	36 ±0.50	1 MIN

* ADDITIONAL LENGTH CAN BE PROVIDED BY CHANGING XX.XX TO DESIRED LENGTH IN INCHES CONTACT CONNEX MARKETING FOR QUOTE

DESIGN REQUIREMENTS:

<input type="checkbox"/> FREQUENCY _____ TO _____ GHz	<input checked="" type="checkbox"/> CONTINUITY
<input type="checkbox"/> VSWR _____ : 1 MAX	<input checked="" type="checkbox"/> HI-POT 500 VRMS
<input type="checkbox"/> INS. LOSS _____ dB MAX	<input type="checkbox"/> OTHER

009-954-352	A/R	3	HEAT SHRINK TUBE	
009-881-299	A/R	2	LMR-240 CABLE	
172135	2	1	N CRIMP PLUG	
PART NUMBER	QTY.	ITEM	DESCRIPTION	FINISH

UNLESS OTHERWISE SPECIFIED, DIMENSIONS ARE IN INCHES AND TOLERANCES ARE: 2 PLACE DECIMAL ±.015 (0,381 mm) 3 PLACE DECIMAL ±.005 (0,127 mm) ANGLES ± 1°	MATERIAL	DRAWN KARTHIK R	DATE 28-Mar-12	TITLE N CRIMP PLUG TO N CRIMP PLUG, USING LMR-240 CABLE, XX.XX" LENGTH	Amphenol Connex
	REFERENCE TASK - 891	ENGINEER KARTHIK R	DATE 28-Mar-12		
NOTICE - These drawings, specifications, or other data (1) are, and remain the property of Amphenol Corp. (2) must be returned upon request; and (3) are confidential and not to be disclosed to any person other than those to whom they are given by Amphenol Corp. The furnishing of these drawings, specifications, or other data by Amphenol Corp., or to any other person to anyone for any purpose is not to be regarded by implication or otherwise in any manner licensing, granting rights or permitting such holder or any other person to manufacture, use or sell any product, process or design, patented or otherwise, that may in any way be related to or disclosed by said drawings, specifications, or other data.		APPROVED	DATE	DWG SIZE B	DRAWING NO. 175101-22-XX.XX

SCALE: 2.0:1 SHEET 1 OF 1

Mouser Electronics

Authorized Distributor

Click to View Pricing, Inventory, Delivery & Lifecycle Information:

[Amphenol:](#)

[175101-22-06.00](#) [175101-22-12.00](#) [175101-22-24.00](#) [175101-22-36.00](#) [175101-22-48.00](#)