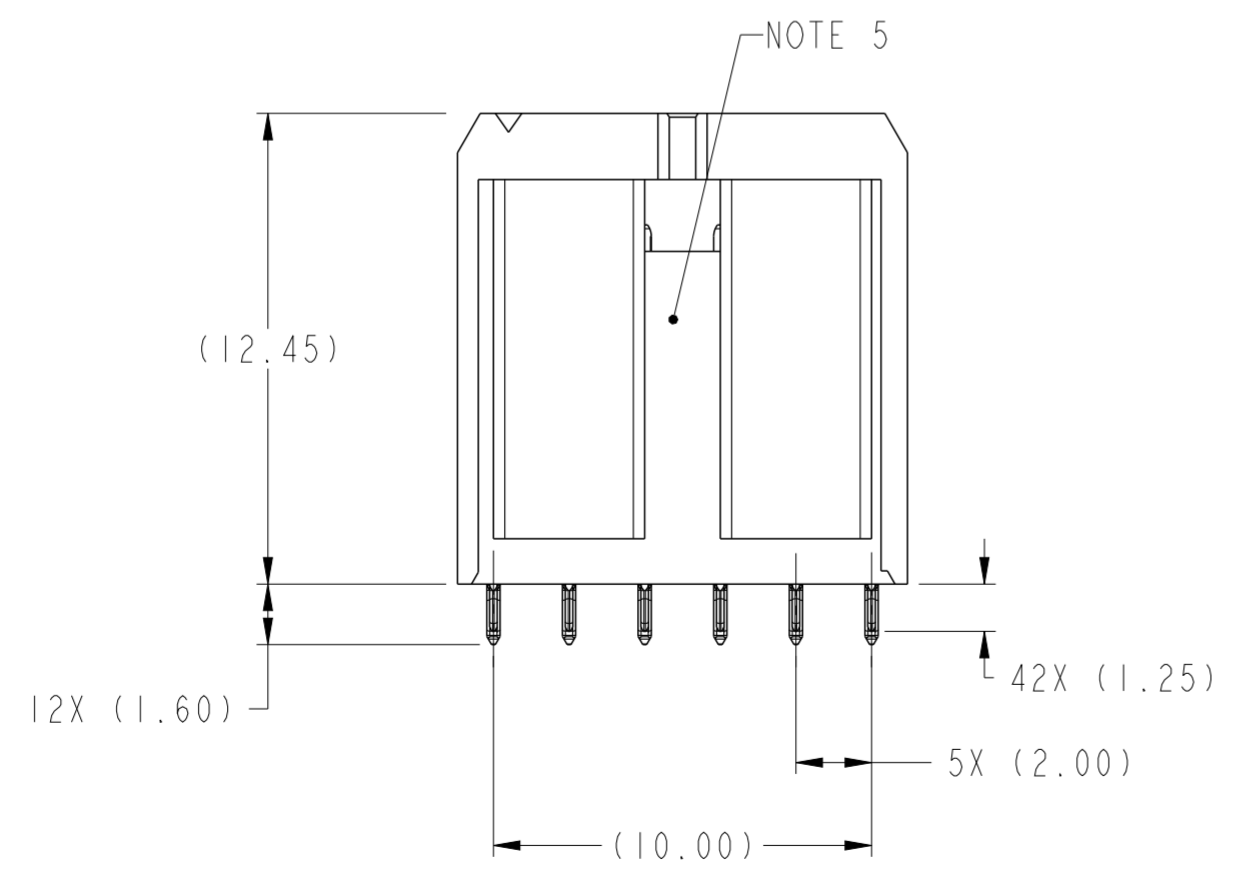
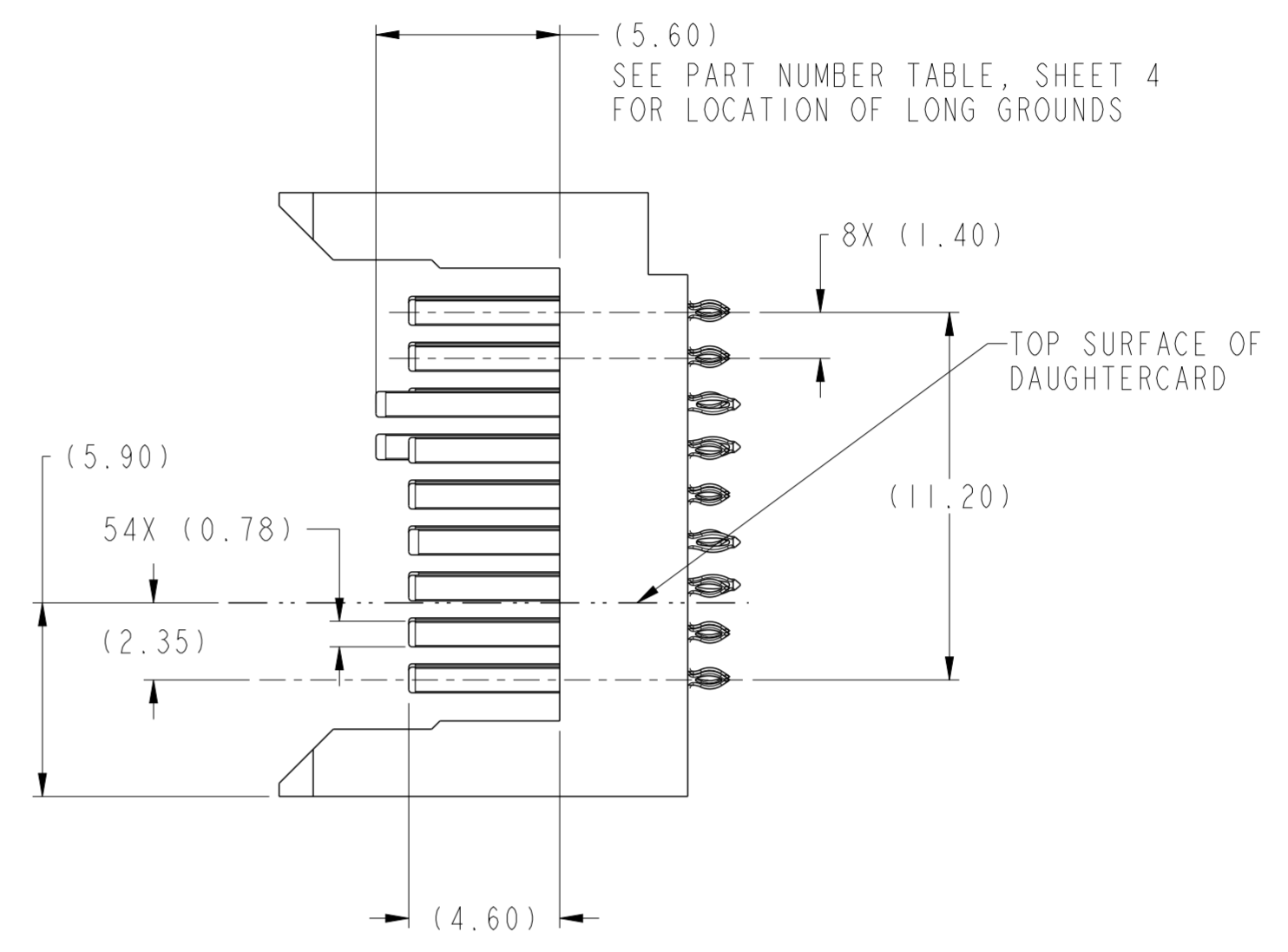
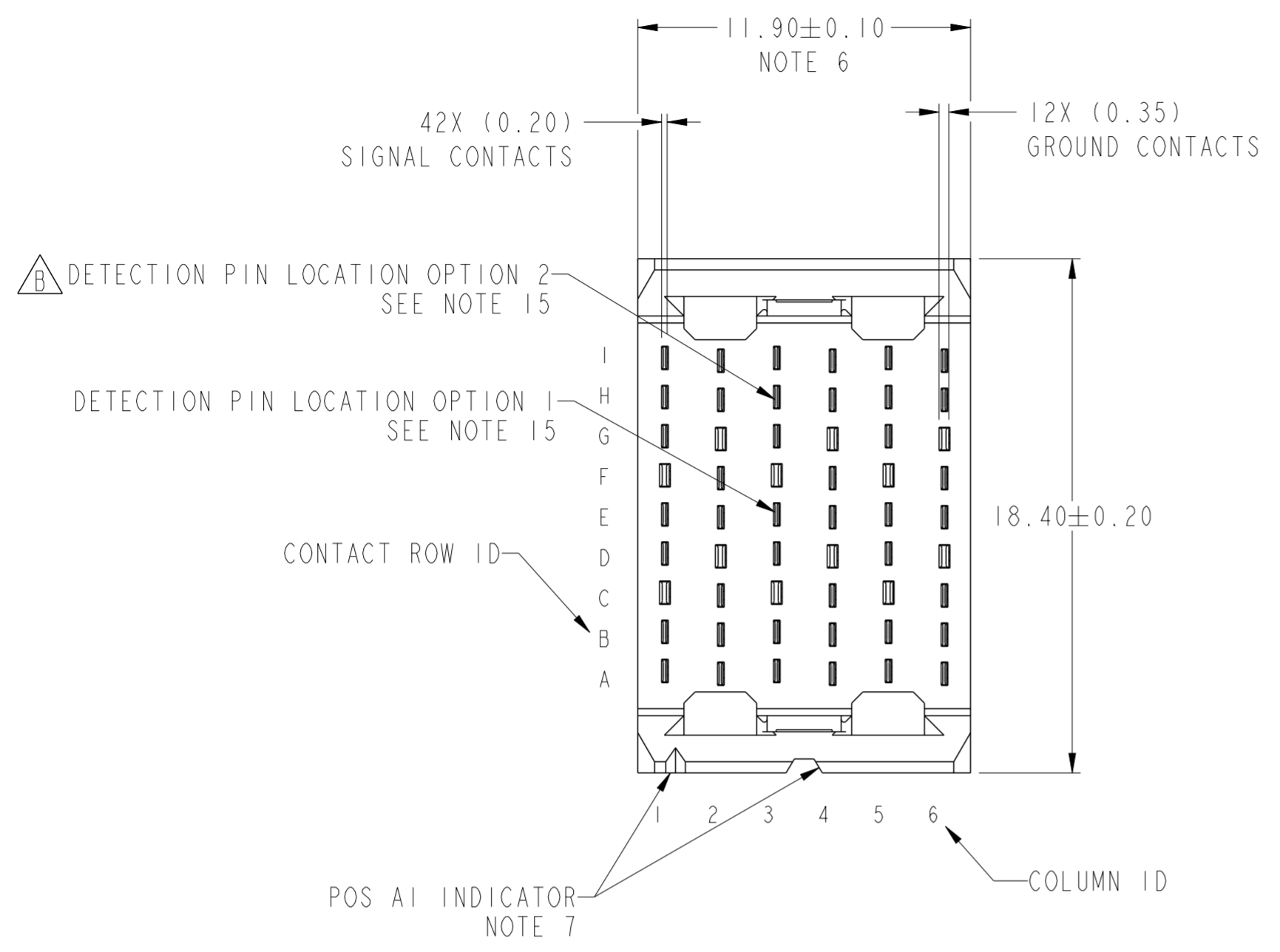


Product number
SEE TABLE, SHT 3

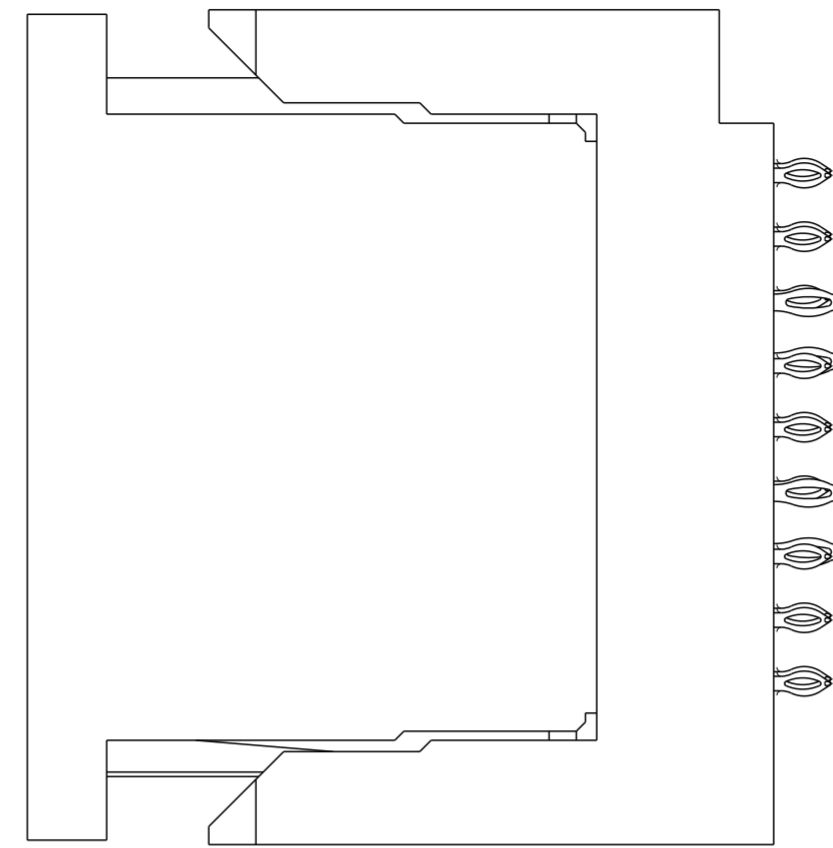
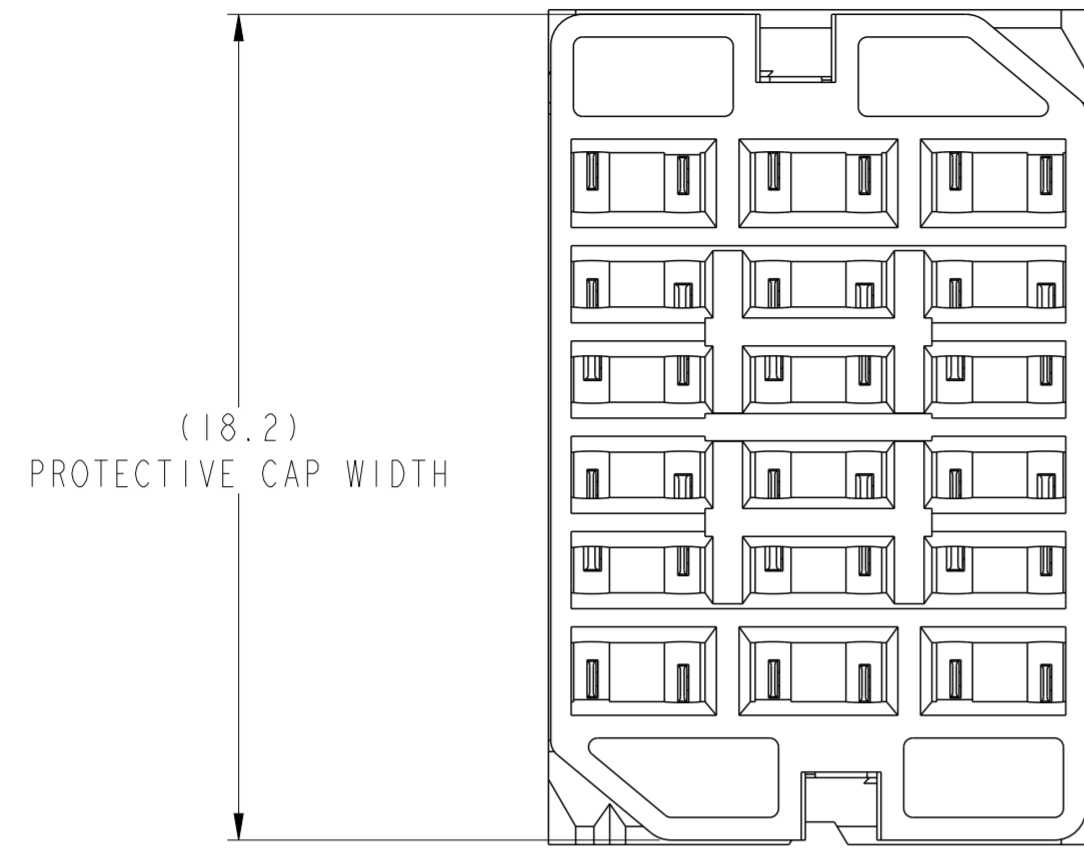


spec ref	-	dr	Sander Soe	2012/1/12	projection	MM	size	A2	scale	5:1
tolerance std	ASME Y14.5	eng	Tao Zhan	2014/10/23			ecn no	ELX-DG-18510-1		
TOLERANCES UNLESS OTHERWISE SPECIFIED		chr	-	rel level			Released			
surface	✓	appr	Collins Lu	2014/10/23			product family	AIRMAX VS	div no	10123358
ASME Y14.5	linear	0.X	±0.3	0.XX	±0.10	0.XXX	±0.050	angular	0°	±2°
www.fci.com		title		AIRMAX VSE VERTICAL HEADER		cat. no.		Product - Customer Drw		sheet 1 of 4

Copyright FCI. FCI

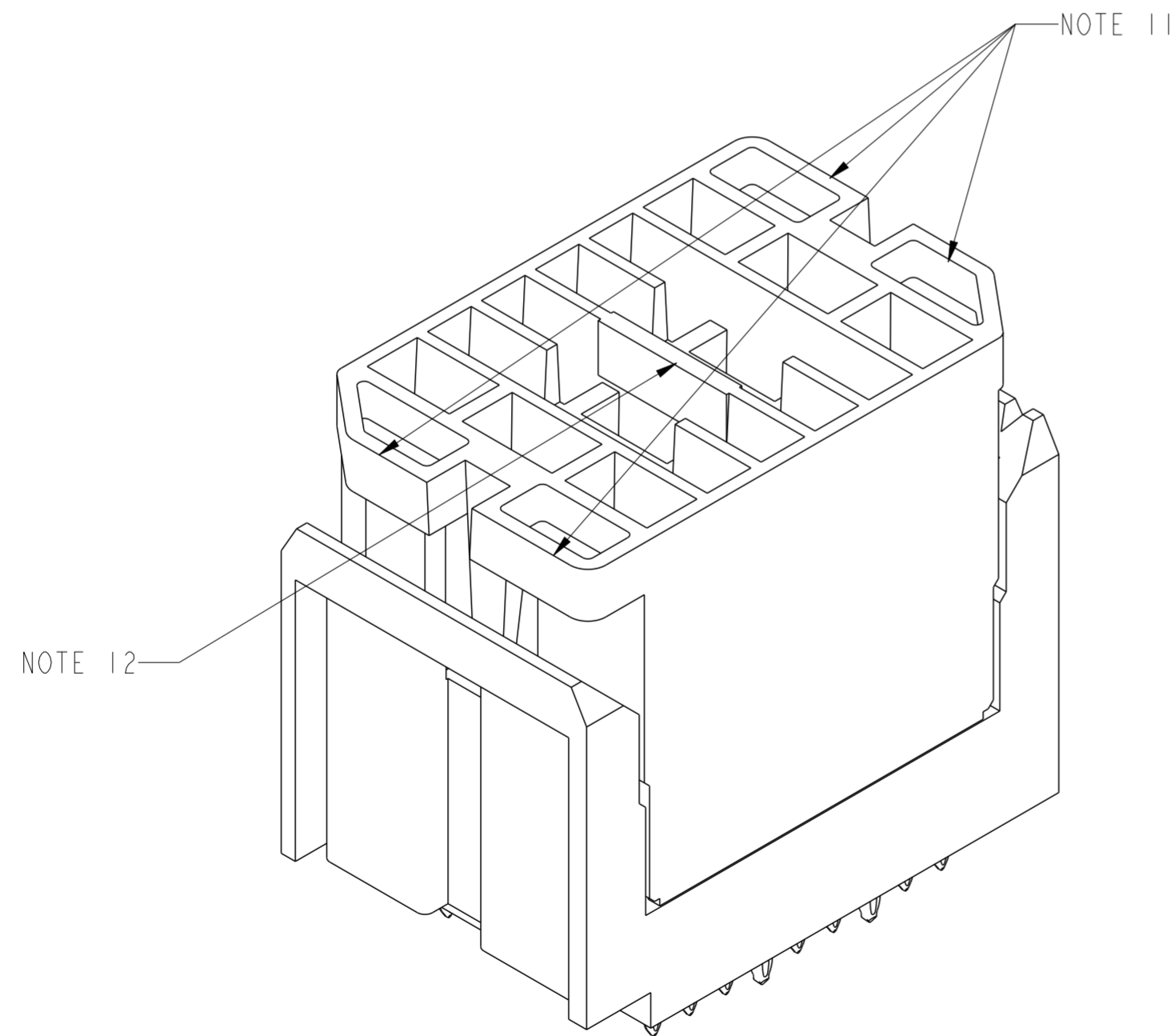
1 2 3 4 5 6 7 8

A
B
C



A
B
C

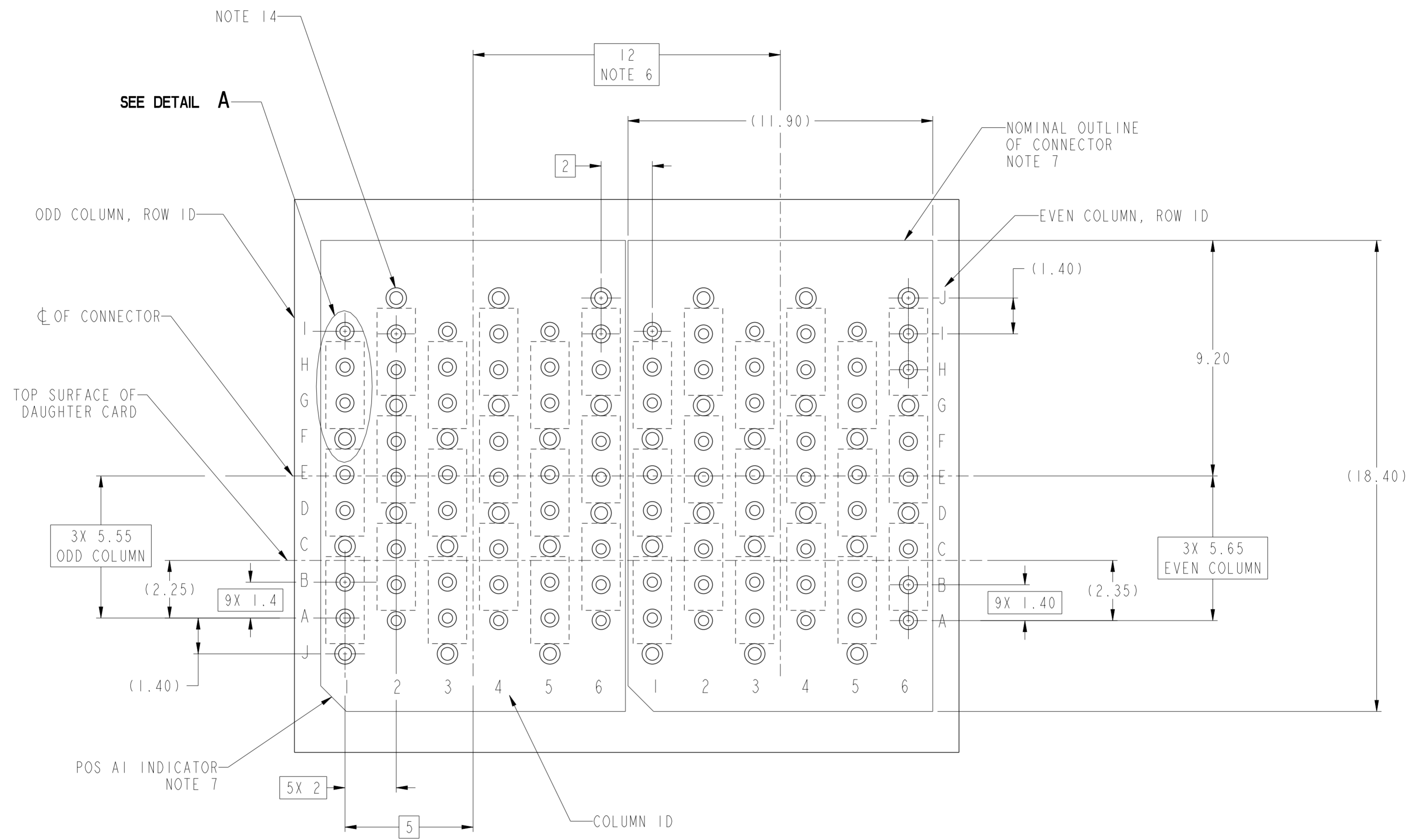
VIEWS SHOWN WITH
PROTECTIVE COVER INSTALLED
10123358-101LF & 111LF



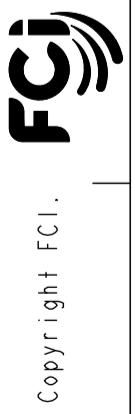
D
E
F

Copyright FCI.
FCI

spec ref -		dr Sander Soe	2012/1/12	projection	MM	size A2	scale 5:1
tolerance std ASME Y14.5		eng Tao Zhan	2014/10/23			ecn no ELX-DG-18510-1	
TOLERANCES UNLESS OTHERWISE SPECIFIED		chr -	2014/10/23			rel level	
surface -		appr Collins Lu	2014/10/23	product family AIRMAX VS		rel level	
surface <input checked="" type="checkbox"/> ASME Y14.5	linear	0.X	±0.3		title AIRMAX VSE VERTICAL HEADER 3 PAIR 54 POS 2MM 6 COL SMALL PRESS FIT	dwg no 10123358	rev B
		0.XX	±0.10				
		0.XXX	±0.050				
ASME Y14.5	angular	0°	±2°	www.fci.com	cat. no. -	Product - Customer Drw	sheet 2 of 4

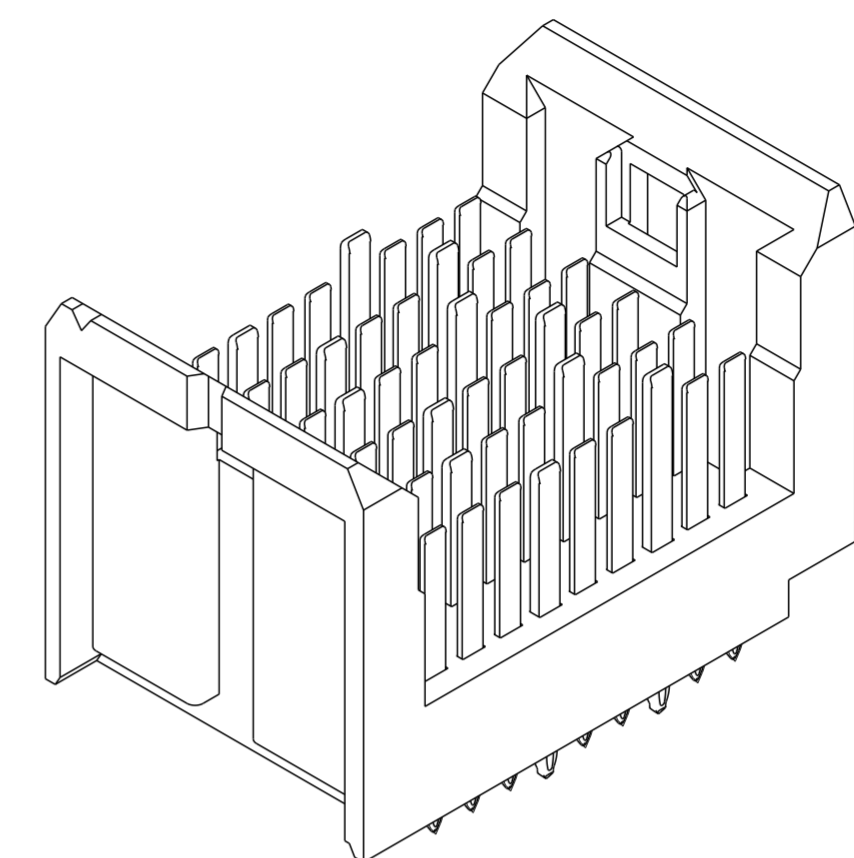


RECOMMENDED PCB LAYOUT
FOR DIFFERENTIAL APPLICATIONS,
COMPONENT SIDE
(TWO ADJACENT FOOTPRINTS SHOWN)
NOTES 6, AND 8



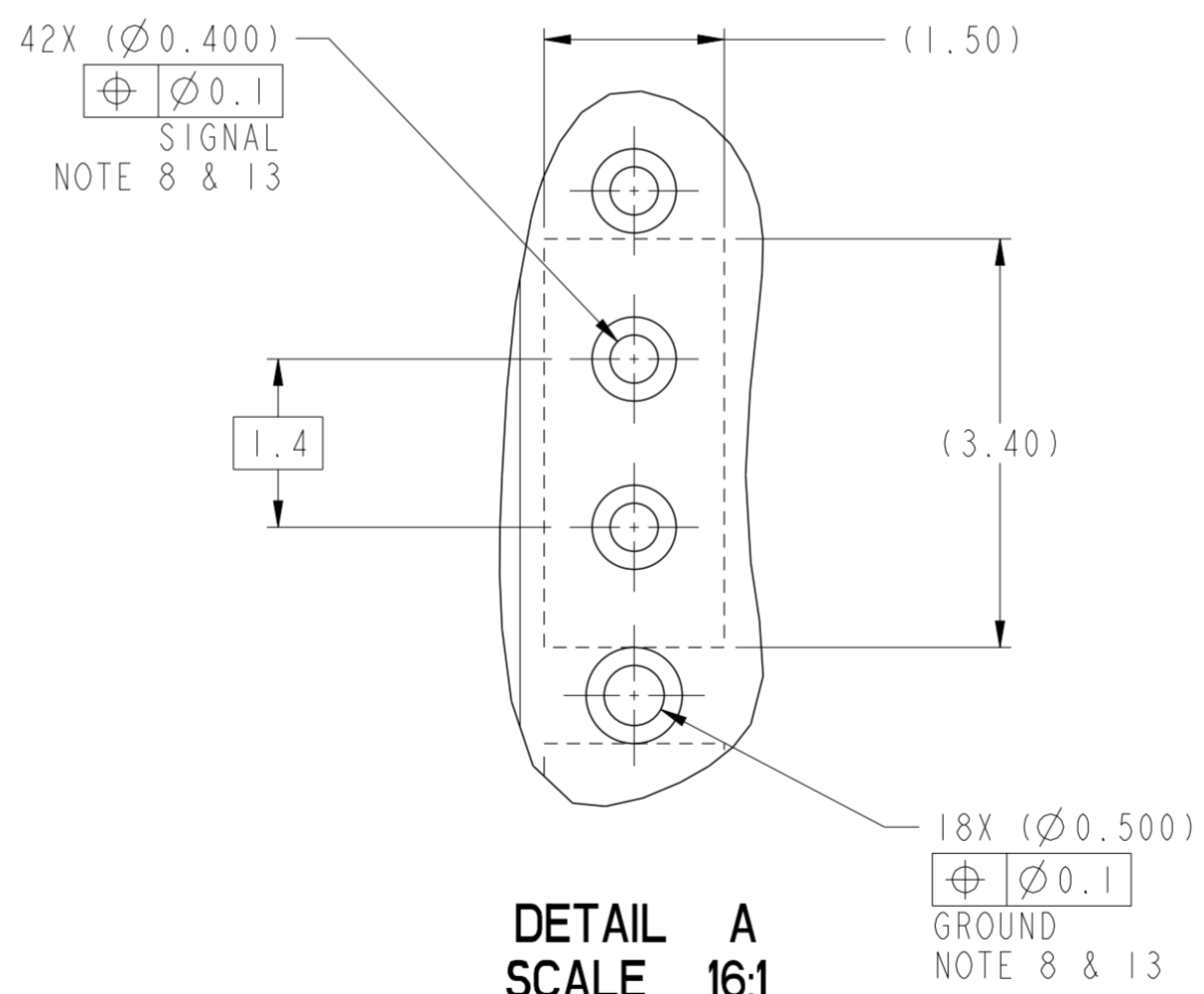
spec ref	-	dr	Sander Soe	2012/1/12	projection	MM	size	A2	scale	3:1	
tolerance std	ASME Y14.5	eng	Tao Zhan	2014/10/23			ecn no	ELX-DG-18510-1			
TOLERANCES UNLESS OTHERWISE SPECIFIED		chr	-	rel level			Released				
surface	✓	appr	Collins Lu	2014/10/23			product family	AIRMAX VS	rel level	Released	
ASME Y14.5	linear	0.X	±0.3		title AIRMAX VSE VERTICAL HEADER 3 PAIR 54 POS 2MM 6 COL SMALL PRESS FIT	dwg no 10123358	rev B	www.fci.com			
		0.XX	±0.10					cat. no.	-	Product - Customer Drw	sheet 3 of 4
	angular	0°	±2°								

PART NUMBER	PRESS-FIT TAIL PLATING TYPE	PROTECTIVE COVER	DETECTION PIN LOCATION	LONG GROUND PIN LOCATIONS (5.6MM)	REMARKS
10123358-101LF	TIN OVER NICKEL (LEAD FREE)	YES	N/A	F1, F3, F5 G2, G4, G6	2-SIDED PLATING
10123358-111LF		YES	H3		
10123358-121LF		YES	E3		



10123358-101LF WITHOUT PROTECTIVE COVER

- NOTES:
- CONNECTOR MATERIALS:
HOUSING: HIGH TEMP THERMOPLASTIC, BLACK, UL94V-0
CONTACT: COPPER ALLOY
 - CONTACT PLATING:
SEPARABLE INTERFACE: PERFORMANCE-BASED PLATING, QUALIFIED TO MEET THE REQUIREMENTS OF FCI PRODUCT SPECIFICATION GS-12-239 INCLUDING TELCORDIA GR-1217-CORE (NOVEMBER 1995) CENTRAL OFFICE TEST SEQUENCE
PRESS-FIT TAILS: SEE TABLE
 - PRODUCT SPECIFICATION: GS-12-239.
 - APPLICATION SPECIFICATION: GS-20-035.
 - PRODUCT MARKING, (PROTOTYPE, PART NUMBER & LOT CODE), ON THIS SURFACE.
 - THE MINIMUM CENTERLINE SPACING BETWEEN ADJACENT MODULES IS 12.0 mm.
 - CONNECTOR OUTLINE WITH HOUSING POS AI INDICATOR MAY BE SCREEN PRINTED ONTO CUSTOMER PCB TO BE USED AS A GUIDE FOR MANUAL CONNECTOR PLACEMENT.
 - REFER TO CUSTOMER DRAWING 10104444 FOR INFORMATION ON PCB HOLE DIAMETERS AND PLATING OPTIONS.
 - LEAD FREE PRODUCT MEETS EUROPEAN UNION DIRECTIVES AND OTHER COUNTRY REGULATIONS AS DESCRIBED IN GS-22-008.
 - PACKAGING MEETS GS-14-920 LEAD FREE LABELING SPECIFICATION.
 - FOR REMOVAL OF THE PROTECTIVE CAP BY HAND, GRIP USING THESE SURFACES.
 - FOR REMOVAL OF THE PROTECTIVE CAP WITH PLIERS, GRIP USING THIS FEATURE.
 - GROUND VIAS IN POSITIONS C, F, & J FOR ODD COLUMNS AND POSITIONS D, G, & J FOR EVEN COLUMNS REQUIRE (Ø0.50) FINISHED HOLES. ALL OTHER VIAS REQUIRE (Ø0.40) FINISHED HOLES.
 - THE OUTER VIAS IN COLUMN J ARE OPTIONAL. IF ADDED THESE HOLES PROVIDE GROUND SYMETRY THROUGH THE PCB. NO CONNECTOR EONS WILL BE PRESSED INTO THESE HOLES.
 - MATING PIN E3 & H3 IS 0.5mm LESS WIPE NOMINAL THAN THE SHOREST PIN.
 - A SYMBOL WILL BE NEXT TO ANY DIMENSION, VIEW, OR NOTE THAT HAS BEEN MODIFIED WITH THE CURRENT DRAWING REVISION.



Copyright FCI. FCI

spec ref	-	dr	Sander Soe	2012/1/12	projection	MM	size	A2	scale	5:1
tolerance std	ASME Y14.5	eng	Tao Zhan	2014/10/23		MM	ecn no	ELX-DG-18510-1	rel level	Released
TOLERANCES UNLESS OTHERWISE SPECIFIED		chr	-	appr						
surface	✓	linear	0.X	±0.3		title	3 PAIR 54 POS 2MM 6 COL SMALL PRESS FIT	dwg no	10123358	rev
			0.XX	±0.10						
			0.XXX	±0.050						
ASME Y14.5	angular	0°	±2°	www.fci.com	cat. no.	-	Product - Customer Drw	sheet 4 of 4		

PDS: Rev :B

STATUS:Released

Printed: Oct 24, 2014

Mouser Electronics

Authorized Distributor

Click to View Pricing, Inventory, Delivery & Lifecycle Information:

[FCI / Amphenol:](#)

[10123358-101LF](#)