

Cable gland - HC-EMV-KV-M20(7-12,5) - 1690503


Please be informed that the data shown in this PDF Document is generated from our Online Catalog. Please find the complete data in the user's documentation. Our General Terms of Use for Downloads are valid (<http://phoenixcontact.com/download>)



EMC screw connection up to 5 bar, thread length: 5 mm, cable diameter: 7.0 - 12.5 mm, WAF 24, screw connection: M20



Key commercial data

Packing unit	25 pc
GTIN	 4 017918 822576
Weight per Piece (excluding packing)	39.93 g
Custom tariff number	74199990
Country of origin	Germany

Technical data

Dimensions

Wrench size, union nut	24 mm
Wrench size, support	24 mm
Length of the connecting thread	5 mm
External cable diameter	7 mm ... 12.5 mm

Ambient conditions

Degree of protection	IP68, to 5 bar
	IP68 (Up to 5 bar)
Ambient temperature (operation)	-20 °C ... 100 °C

General

Cable gland material	Nickel-plated brass
Seal material	Neoprene
O-ring material	NBR
Shielded	Yes
Thread type on connection side	M20
Tightening torque, union nut	7.50 Nm

Cable gland - HC-EMV-KV-M20(7-12,5) - 1690503

Classifications

eCl@ss

eCl@ss 4.0	27141209
eCl@ss 4.1	27141209
eCl@ss 5.0	27149109
eCl@ss 5.1	27149109
eCl@ss 6.0	27149109
eCl@ss 7.0	27149109
eCl@ss 8.0	27149109

ETIM

ETIM 2.0	EC000441
ETIM 3.0	EC000441
ETIM 4.0	EC000441
ETIM 5.0	EC000441

UNSPSC

UNSPSC 6.01	31261502
UNSPSC 7.0901	31261502
UNSPSC 11	31261502
UNSPSC 12.01	31261502
UNSPSC 13.2	31261502

Approvals

Approvals

Approvals

EAC

Ex Approvals

Approvals submitted

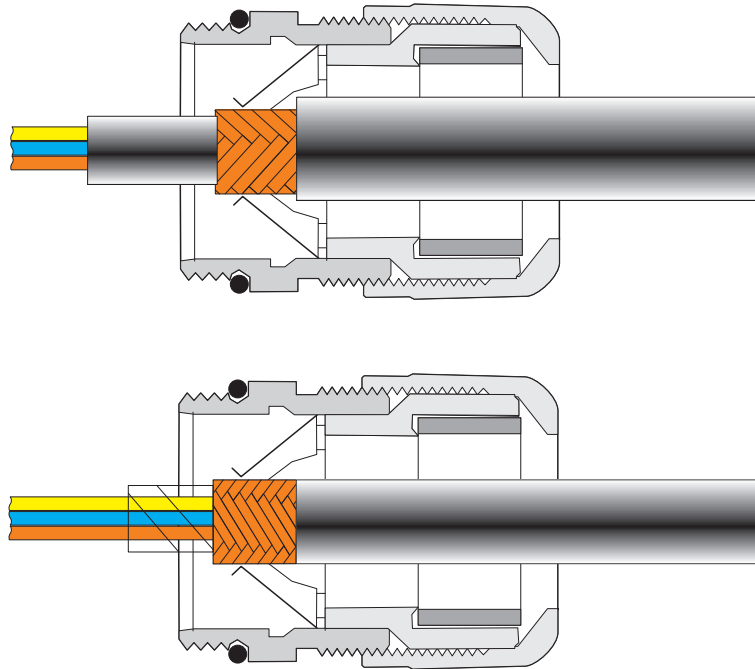
Approval details

EAC

Drawings

Cable gland - HC-EMV-KV-M20(7-12,5) - 1690503

Functional drawing



Dimensioned drawing

