

LOC		DIST		REVISIONS			
GP	00	P	LTR	DESCRIPTION	DATE	DRN	APVD
		A		NEW RELEASE	09JUL2007	RG	PD

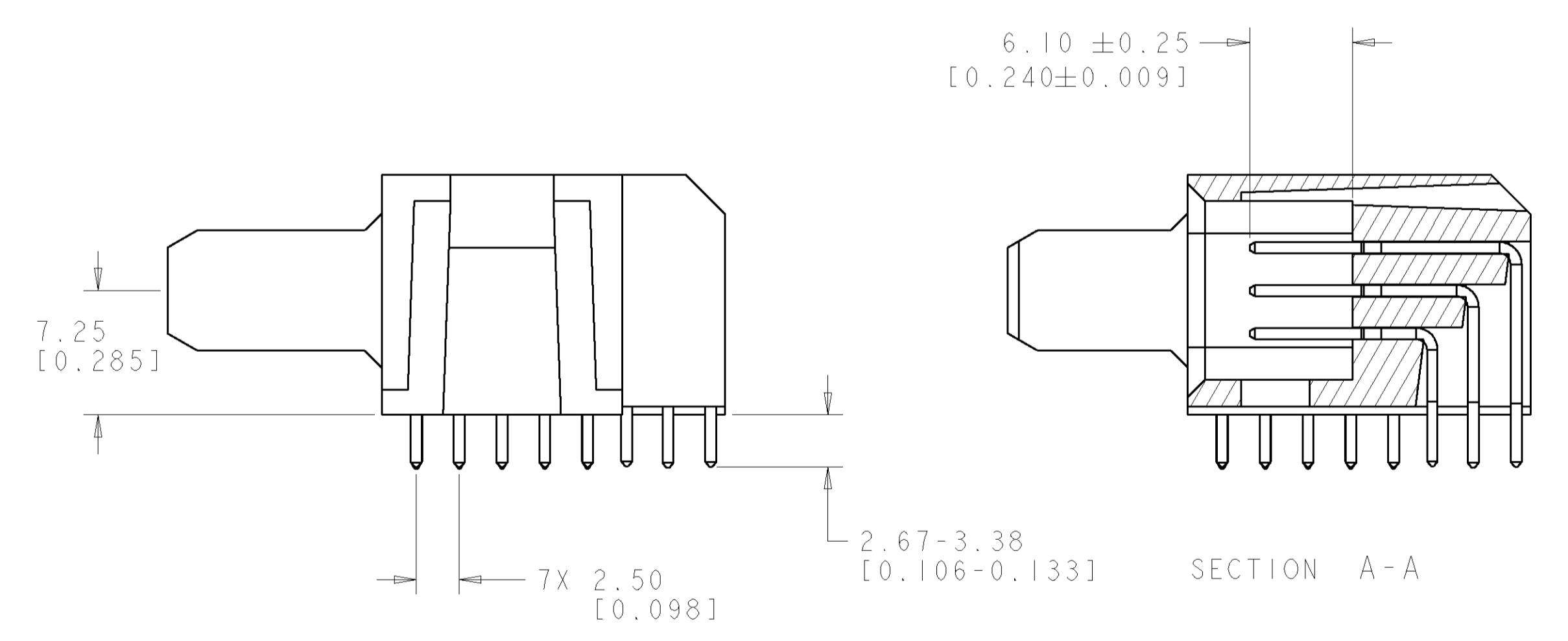
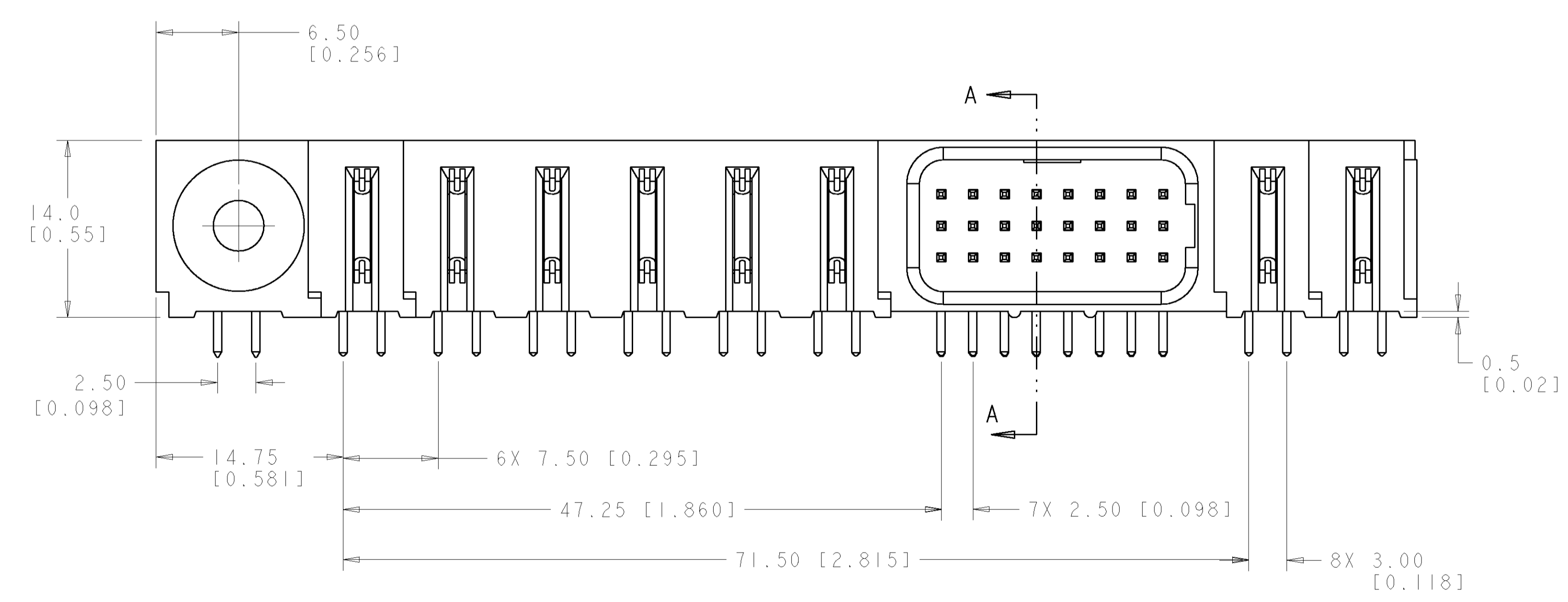
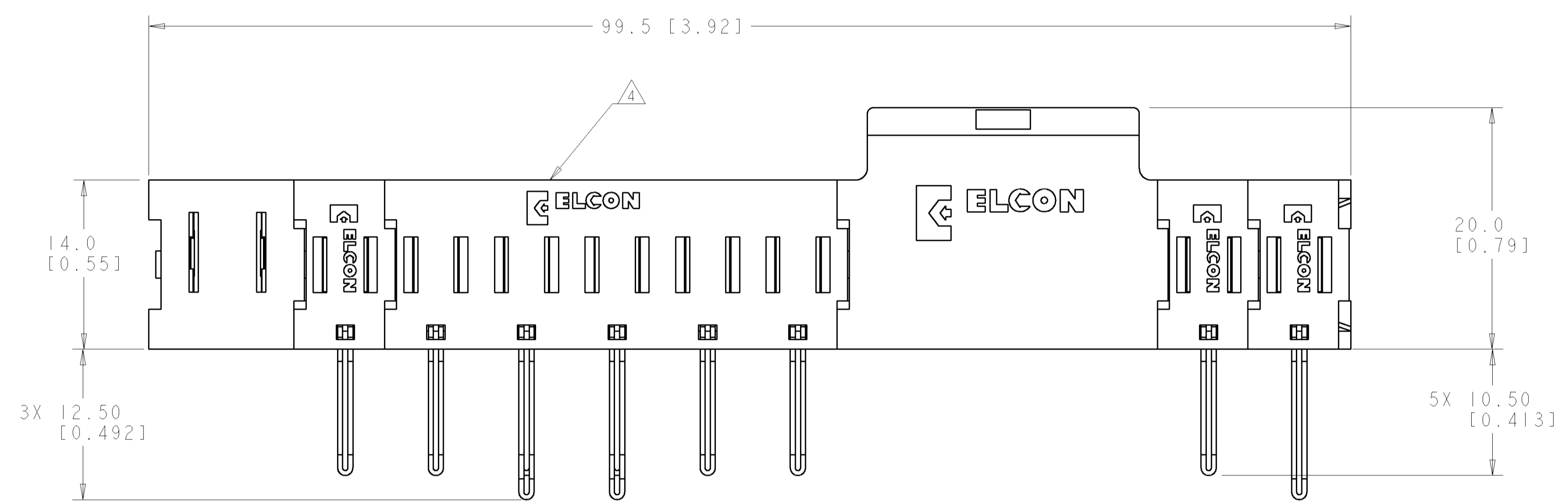
1. PART NUMBER CHANGES AND OR DESIGN CHANGES AFFECTING ITEM INTERCHANGEABILITY REQUIRE PRIOR TYCO ELECTRONICS APPROVAL AND AUTHORIZATION BY REVISION TO THIS DRAWING.

2. MATERIAL:
 INSULATORS - THERMOPLASTIC, GLASS REINFORCED, COLOR: BLACK, UL94V-0 FLAMMABILITY RATED.
 SIGNAL CONTACTS: PHOSPHOR BRONZE ALLOY
 POWER CONTACTS - PHOSPHOR BRONZE ALLOY, COPPER ALLOY
 CROWN BANDS: BERYLLIUM COPPER ALLOY

3. FINISH:
 CONTACTS - GOLD PLATE 0.76µm MIN. THK., OVER NICKEL 1.27µm MIN. THK.
 SOLDER TAILS, TIN 3.05µm MIN. THK. OVER NICKEL 1.27µm MIN. THK.

△ ITEMS PROVIDED TO THIS SPECIFICATION TO BE PERMANENTLY IDENTIFIED PER THE FOLLOWING IDENTIFIER LABEL

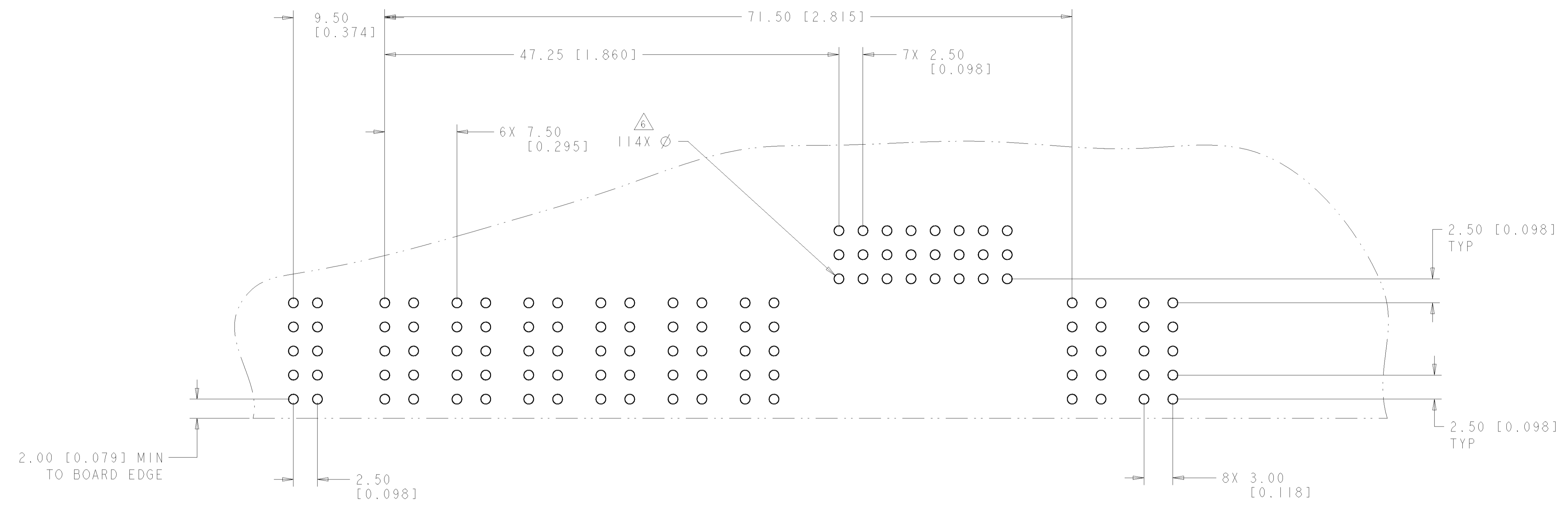
TYCO ELECTRONICS P/N: XXXXXXXX-X
 DATE CODE (e.g. 0T06): YEAR WEEK
 XXXX



ELCON FLATPAQ

DIMENSIONS:		TOLERANCES UNLESS OTHERWISE SPECIFIED:		DWN: R. GRZYBOWSKI 09JULY07		Tyco Electronics	
mm [INCHES]		0 PLC ±		CHK: P. DAMATO 09JULY07		Tyco Electronics	
1 PLC ± 0.125 (0.005)		1 PLC ± 0.125 (0.005)		APVD: S. FLICKINGER 09JULY07		Harrisburg, PA 17105-3608	
2 PLC ± 0.25 (0.010)		2 PLC ± 0.25 (0.010)		NAME: PIN CONNECTOR ASSEMBLY		RESTRICTED TO	
3 PLC ±		3 PLC ±		PRODUCT SPEC:		-	
4 PLC ±		4 PLC ±		APPLICATION SPEC:		-	
ANGLES ± 0.5		ANGLES ± 0.5		WEIGHT:		-	
FINISH:		FINISH:		CUSTOMER DRAWING:		-	
-		-		SCALE: 3:1		SHEET 1 OF 3	
-		-		REV: A		-	

LOC	DIST	REVISIONS			
P	LTR	DESCRIPTION	DATE	DRN	APVD
-	-	SEE SHEET 1	-	-	-

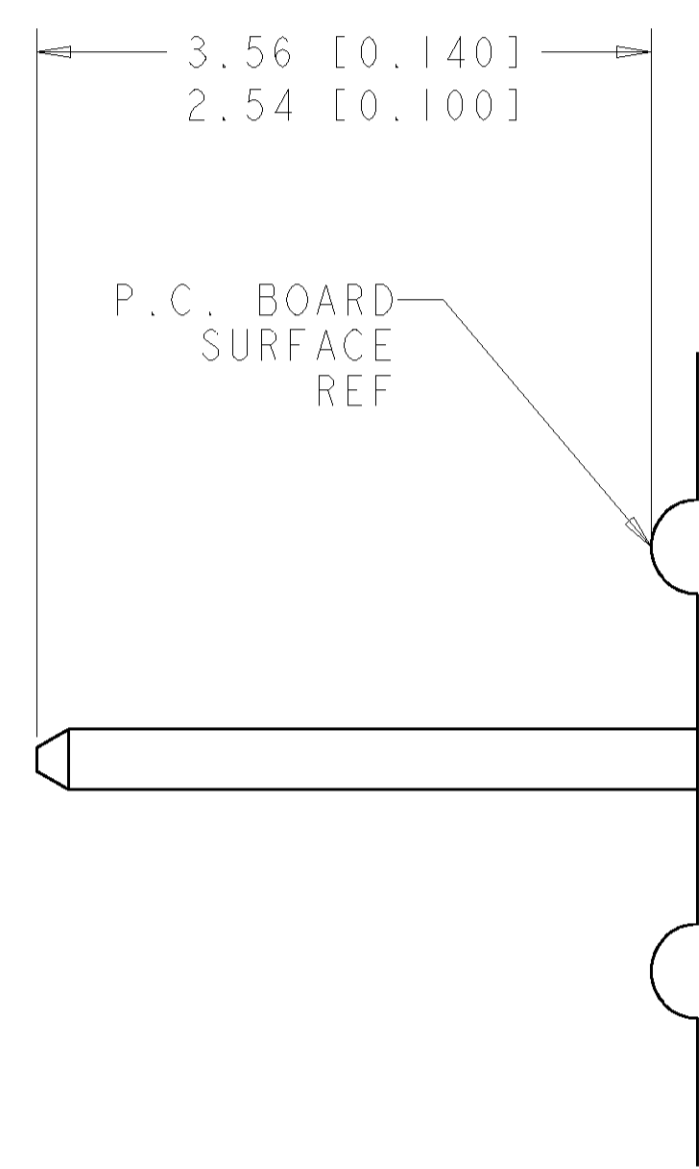


PRINTED CIRCUIT LAYOUT
 COMPONENT SIDE

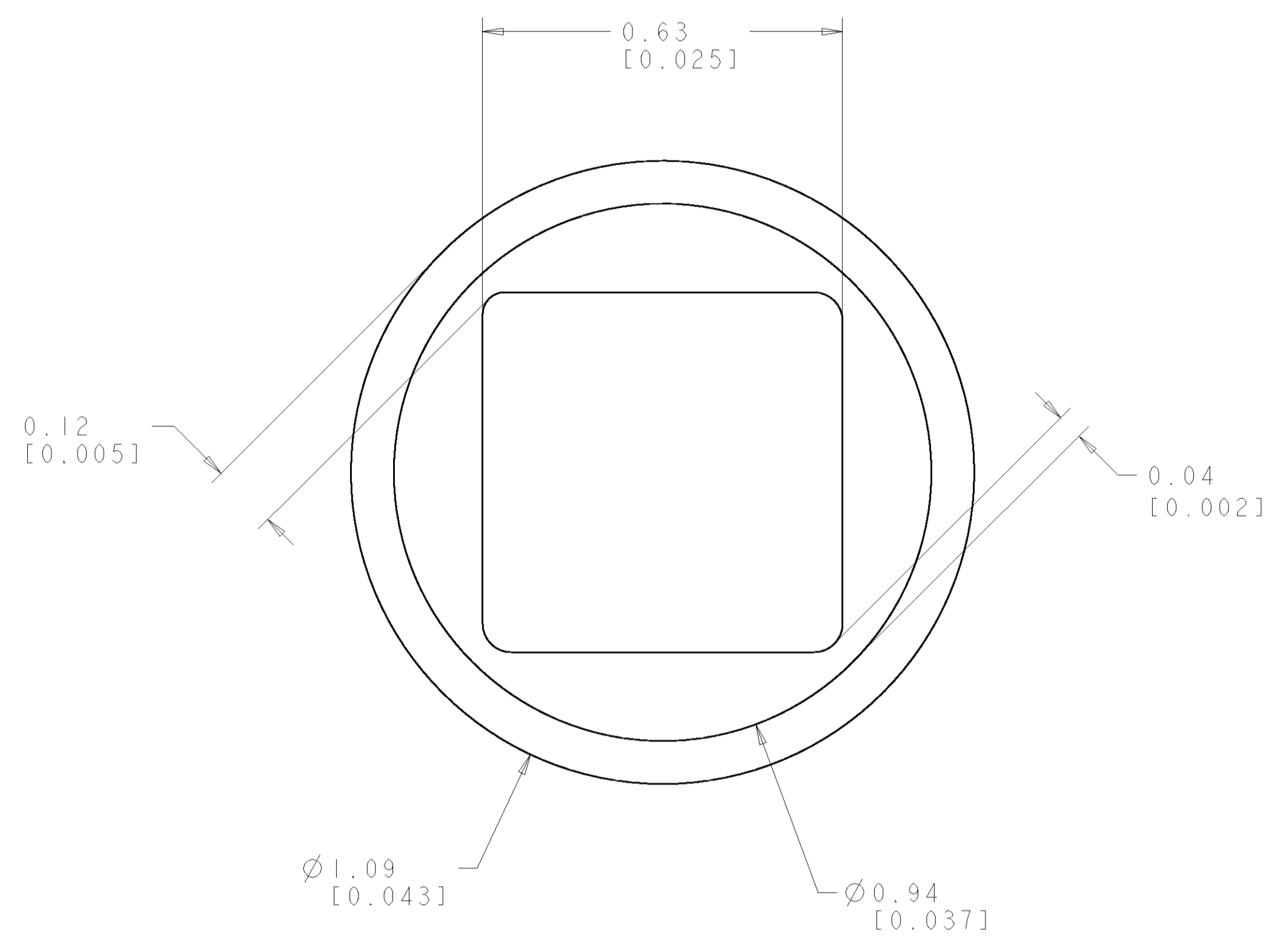
CONNECTOR	CATALOG MODULE #	QTY	SIZE NO.	CONTACT QTY	MATING PIN	MAX. CURRENT (PER CONTACT)	CONTACT SPACING	VOLTAGE RATING
PIN	FP302	1	22	24	.64 [0.025] SQ.	3 amps	2.50 [0.0984]	125
	FP152	3	8	3	1.25 X 7.00 [0.049 X .276]	35 amps	7.50 [0.2953]	250
	FP151	5	8	5	1.25 X 7.00 [0.049 X .276]	35 amps	7.50 [0.2953]	250
	FP516	1	RIGHT ANGLE GUIDE SOCKET					

<small>THIS DRAWING IS UNPUBLISHED. RELEASED FOR PUBLICATION BY TYCO ELECTRONICS CORPORATION. ALL RIGHTS RESERVED.</small>		DRN: R. GRZYBOWSKI 09JULY07 CHK: P. DAMATO 09JULY07 APVD: S. FLICKINGER 09JULY07	Tyco Electronics Harrisburg, PA 17105-3608
DIMENSIONS: mm [INCHES] TOLERANCES UNLESS OTHERWISE SPECIFIED: 0 PLC ±.5 [0.020] 1 PLC ±.5 [0.020] 2 PLC ±.25 [0.010] 3 PLC ±.25 [0.010] 4 PLC ±.25 [0.010] ANGLES ±.5	PRODUCT SPEC: - APPLICATION SPEC: - WEIGHT: - MATERIAL: - FINISH: -	NAME: PIN CONNECTOR ASSEMBLY RIGHT ANGLE SOLDER TAILS SIZE: A 00779 C=1766719 SCALE: 3:1 SHEET 2 OF 3 REV A	CUSTOMER DRAWING

LOC	DIST	REVISIONS					
GP	00	P	LTR	DESCRIPTION	DATE	DWN	APVD
-	-	-	-	SEE SHEET 1	-	-	-



5. SOLDER PIN DETAIL
SCALE 10 : 1



6. SOLDER TERMINATION AREA
 SCALE 40:1
 RECOMMENDED PRINTED CIRCUIT HOLE
 FINISHED HOLE: Ø1.02 [0.040] ±.08 [0.003]
 DRILLED HOLE: Ø1.15 [0.0453] ±.013 [0.0005]
 COPPER PLATE: .025 [0.0010] MIN (PER SURFACE)
 TIN PLATE: .008 [0.0003] MIN. (PER SURFACE)

ELCON FLATPAQ

<small>THIS DRAWING IS UNPUBLISHED. RELEASED FOR PUBLICATION. ALL RIGHTS RESERVED. THIS DRAWING IS THE PROPERTY OF TYCO ELECTRONICS CORPORATION. IT IS TO BE USED ONLY FOR THE PURPOSES AND ORGANIZATION SPECIFIED BY THE CUSTOMER. NO PARTS OF THIS DRAWING ARE TO BE REPRODUCED OR TRANSMITTED IN ANY FORM OR BY ANY MEANS, ELECTRONIC OR MECHANICAL, INCLUDING PHOTOCOPYING, RECORDING, OR BY ANY INFORMATION STORAGE AND RETRIEVAL SYSTEM, WITHOUT PERMISSION IN WRITING FROM TYCO ELECTRONICS CORPORATION.</small>		DWN: B. GRZYBOWSKI 09JULY07 CHK: P. DAMATO 09JULY07 APVD: S. FLICKINGER 09JULY07	Tyco Electronics Harrisburg, PA 17105-3608
DIMENSIONS: mm [INCHES]	TOLERANCES UNLESS OTHERWISE SPECIFIED: 0 PLC ±. 1 PLC ±.5 [0.020] 2 PLC ±.25 [0.010] 3 PLC ±. 4 PLC ±. ANGLES ± 5 FINISH -	NAME: PIN CONNECTOR ASSEMBLY RIGHT ANGLE SOLDER TAILS PRODUCT SPEC APPLICATION SPEC	SIZE: A 00779 C=1766719 SCALE: 3:1 SHEET 3 OF 3 REV A
MATERIAL: -	WEIGHT: -	CUSTOMER DRAWING	

Mouser Electronics

Authorized Distributor

Click to View Pricing, Inventory, Delivery & Lifecycle Information:

[TE Connectivity:](#)

[1766719-1](#)