

NOTES:

1. MATERIALS AND FINISHES:

BNC CRIMP PLUG - P/N: 112132
 CABLE - RG-316 COAXIAL CABLE

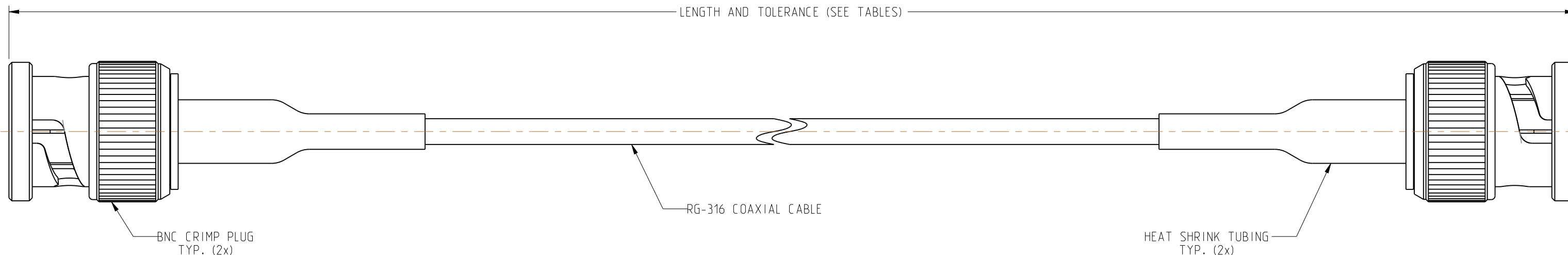
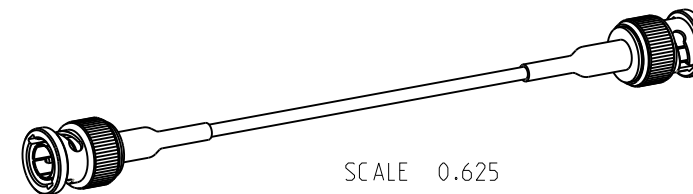
2. ELECTRICAL:

A. IMPEDANCE: 50 OHM, NOMINAL
 B. FREQUENCY RANGE: DC-4.0 GHz

3. PACKAGING:

A. QUANTITY: SINGLE PACK
 B. BAG TO BE MARKED: AMPHENOL RF, 115101-01-XX.XX, AND DATE CODE

115101-01-XX.XX		REVISIONS			
DRAWING NO.	REV	DESCRIPTION	DATE	ECO	APPR
THIRD ANGLE PROJ.	A	RELEASE TO MFG.	11-Nov-10	--	KR
	B	SEE SHEET 1	04-Mar-14	2705	MB/BCG



ORDERING INFORMATION		
PART NUMBER (IMPERIAL)	PART NUMBER (METRIC)	LENGTH IN INCHES * [METERS]
-	115101-01-M0.10	3.94 [0.100]
115101-01-06.00	-	6.00 [0.152]
-	115101-01-M0.25	9.84 [0.250]
115101-01-12.00	-	12.00 [0.305]
115101-01-18.00	-	18.00 [0.457]
-	115101-01-M0.50	19.69 [0.500]
115101-01-24.00	-	24.00 [0.610]
-	115101-01-M0.75	29.53 [0.750]
115101-01-36.00	-	36.00 [0.914]
-	115101-01-M1.00	39.37 [1.000]
115101-01-48.00	-	48.00 [1.219]

TOLERANCE TABLE	
LENGTH IN INCHES/FT [METERS]	TOLERANCE
0" - 23.90" [0 - 0.607]	±0.25" [0.006]
24.00" - 59.00" [0.610 - 1.499]	±0.50" [0.013]
5.0' - 24.9' [1.524 - 7.617]	±2.5%
25.0' & UP [7.620 & UP]	±5.0%

DESIGN REQUIREMENTS:

- | | |
|--|---|
| <input checked="" type="checkbox"/> FREQUENCY: DC TO 4.0 GHz | <input checked="" type="checkbox"/> CONTINUITY |
| <input type="checkbox"/> VSWR _____ : 1 MAX | <input checked="" type="checkbox"/> HI-POT : 500 VRMS |
| <input type="checkbox"/> INS. LOSS _____ dB MAX | <input type="checkbox"/> OTHER |

* ADDITIONAL LENGTHS CAN BE PROVIDED. CONTACT AMPHENOL RF MARKETING FOR QUOTE

CUSTOMER OUTLINE DRAWING

ALL OTHER SHEETS ARE FOR INTERNAL USE ONLY

UNLESS OTHERWISE SPECIFIED, TOLERANCES ARE AS FOLLOWS: 2 PLACE DECIMAL ±.015 (0,381 mm) 3 PLACE DECIMAL ±.005 (0,127 mm) ANGLES ± 1°	MATERIAL	DRAWN	DATE	TITLE BNC CRIMP PLUG TO BNC CRIMP PLUG USING, RG-316 COAXIAL CABLE, VARIOUS LENGTHS	Amphenol Connex	
	SEE NOTES	MOHAN	28-Feb-14			
NOTICE - These drawings, specifications, or other data (1) are, and remain the property of Amphenol Corp. (2) must be returned upon request; and (3) are confidential and not to be disclosed to any person other than those to whom they are given by Amphenol Corp. The furnishing of these drawings, specifications, or other data by Amphenol Corp., or to any other person to anyone for any purpose is not to be regarded by implication or otherwise in any manner licensing, granting rights or permitting such holder or any other person to manufacture, use or sell any product, process or design, patented or otherwise, that may in any way be related to or disclosed by said drawings, specifications, or other data.	REFERENCE	ENGINEER	DATE	SCALE: 2.5:1 SHEET 2 OF 2		
		MOHAN	28-Feb-14			
		APPROVED	DATE	DWG SIZE DRAWING NO.		
B.C. GLEISSNER	04-Mar-14	B 115101-01-XX.XX				
		CAD FILE		REV		
				B		

Mouser Electronics

Authorized Distributor

Click to View Pricing, Inventory, Delivery & Lifecycle Information:

[Amphenol:](#)

[115101-01-12.00](#) [115101-01-24.00](#) [115101-01-48.00](#) [115101-01-36.00](#) [115101-01-06.00](#)