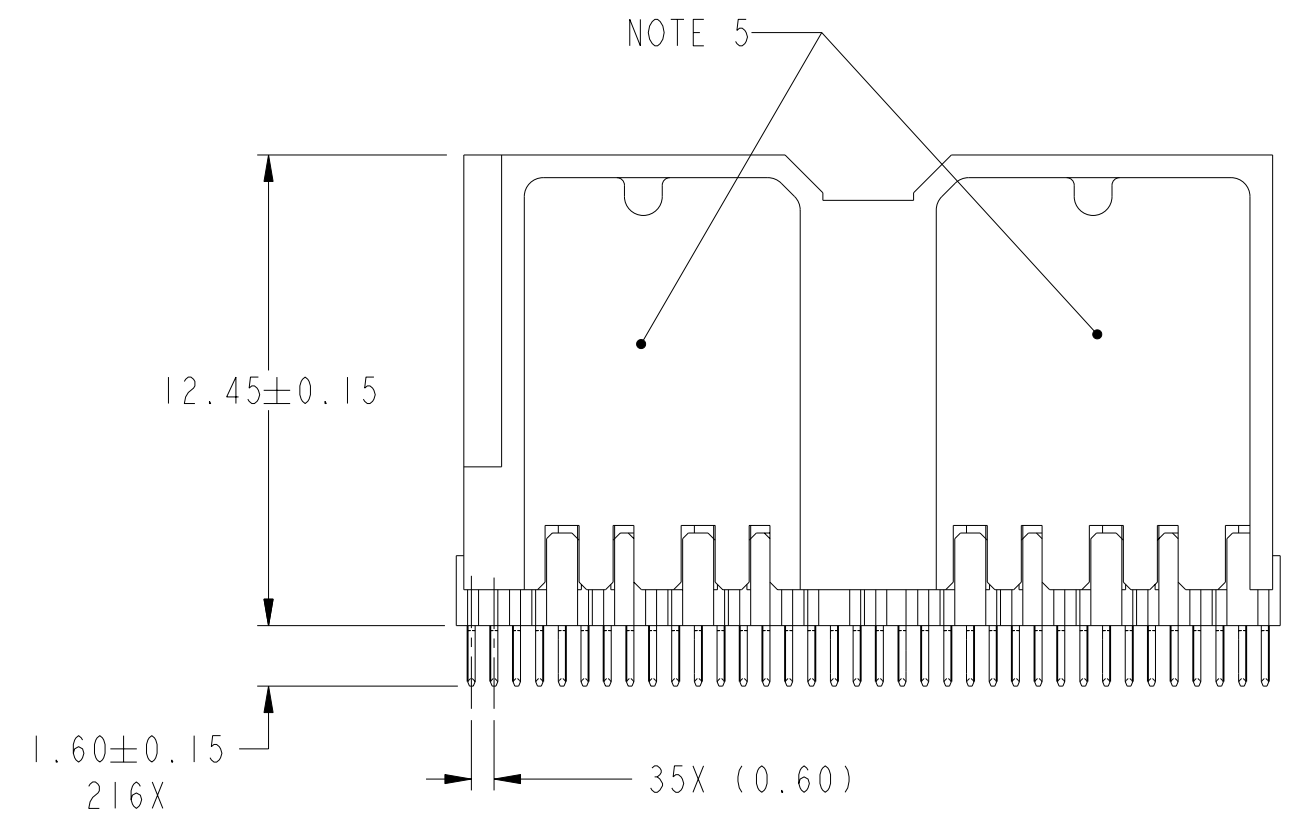
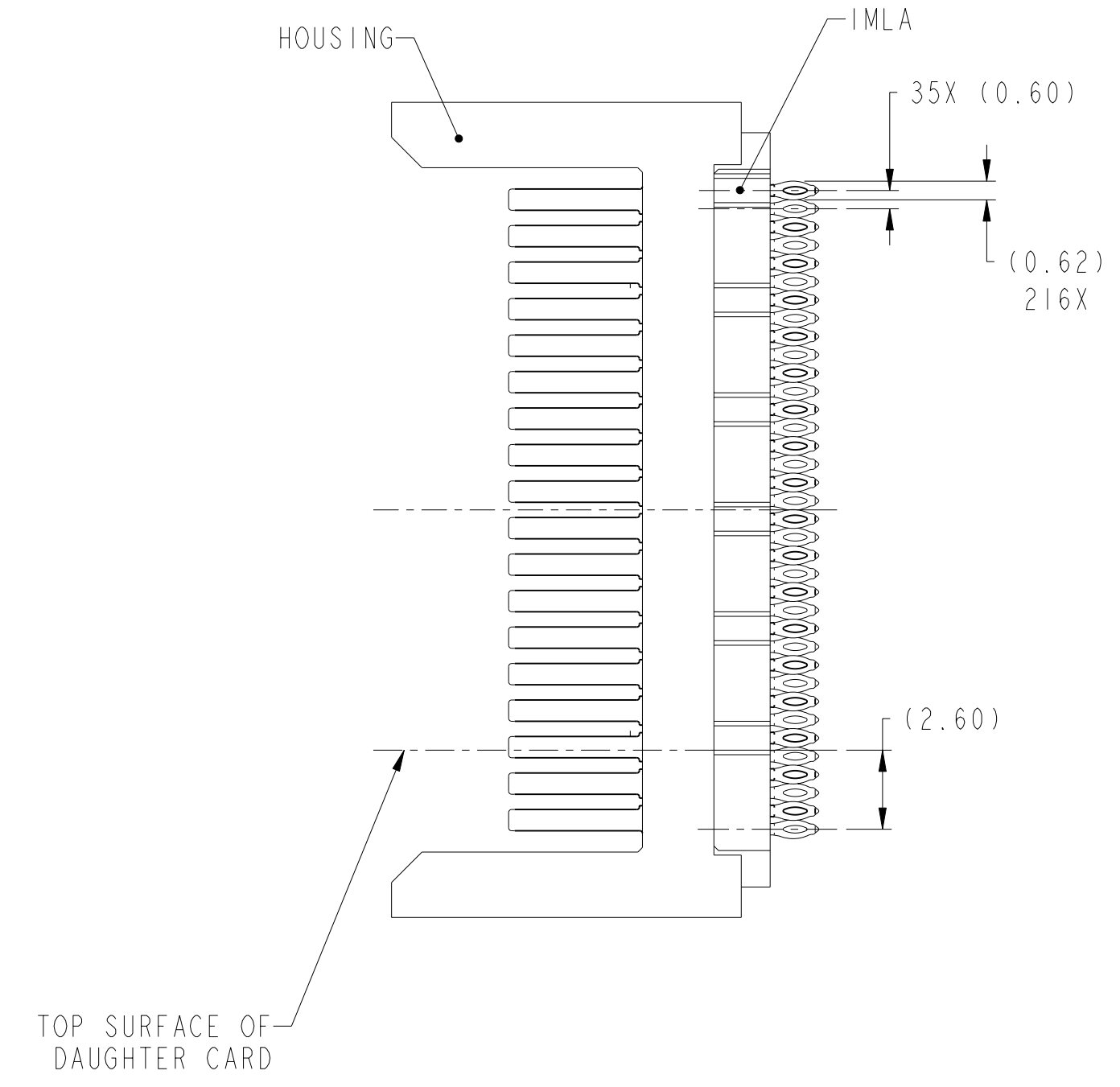
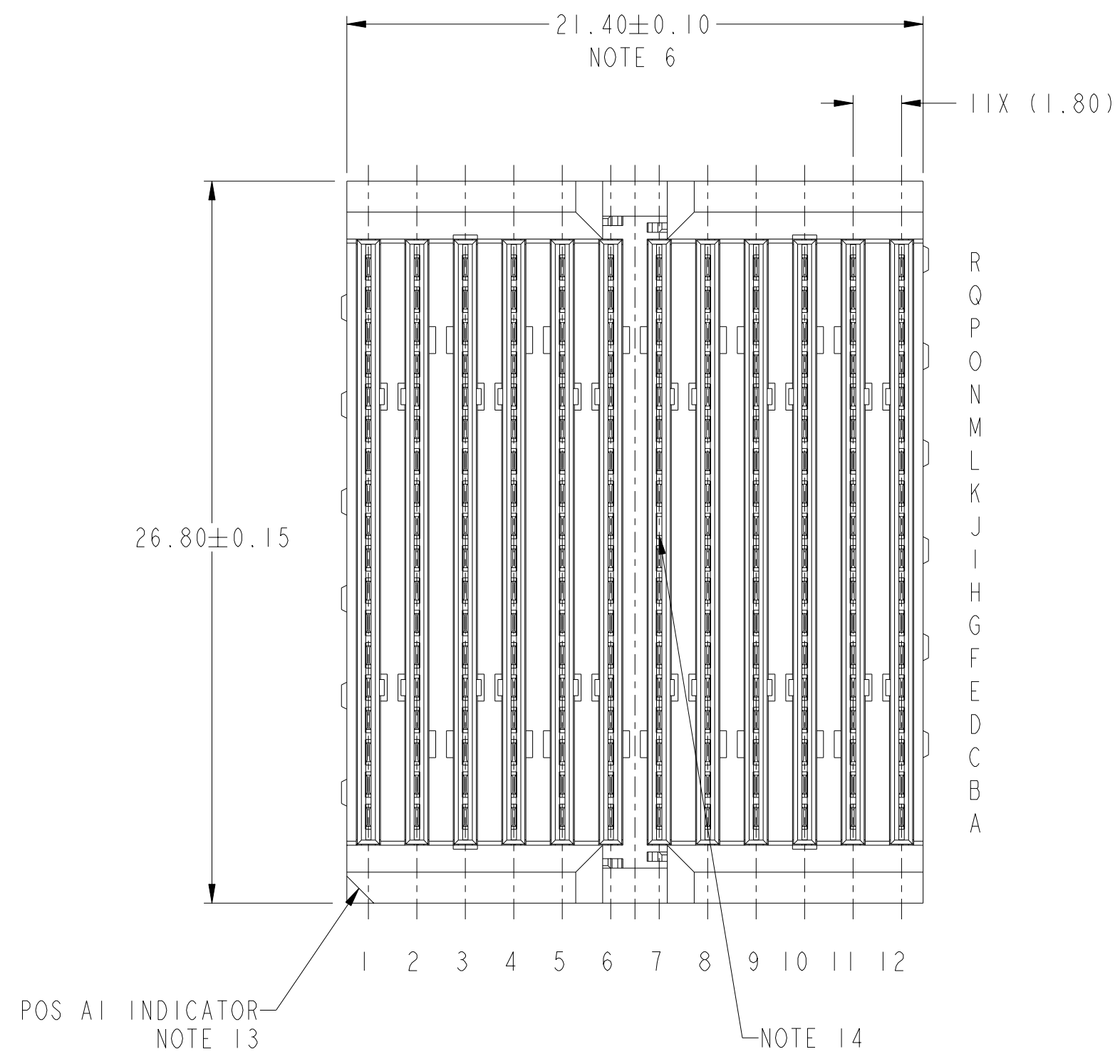


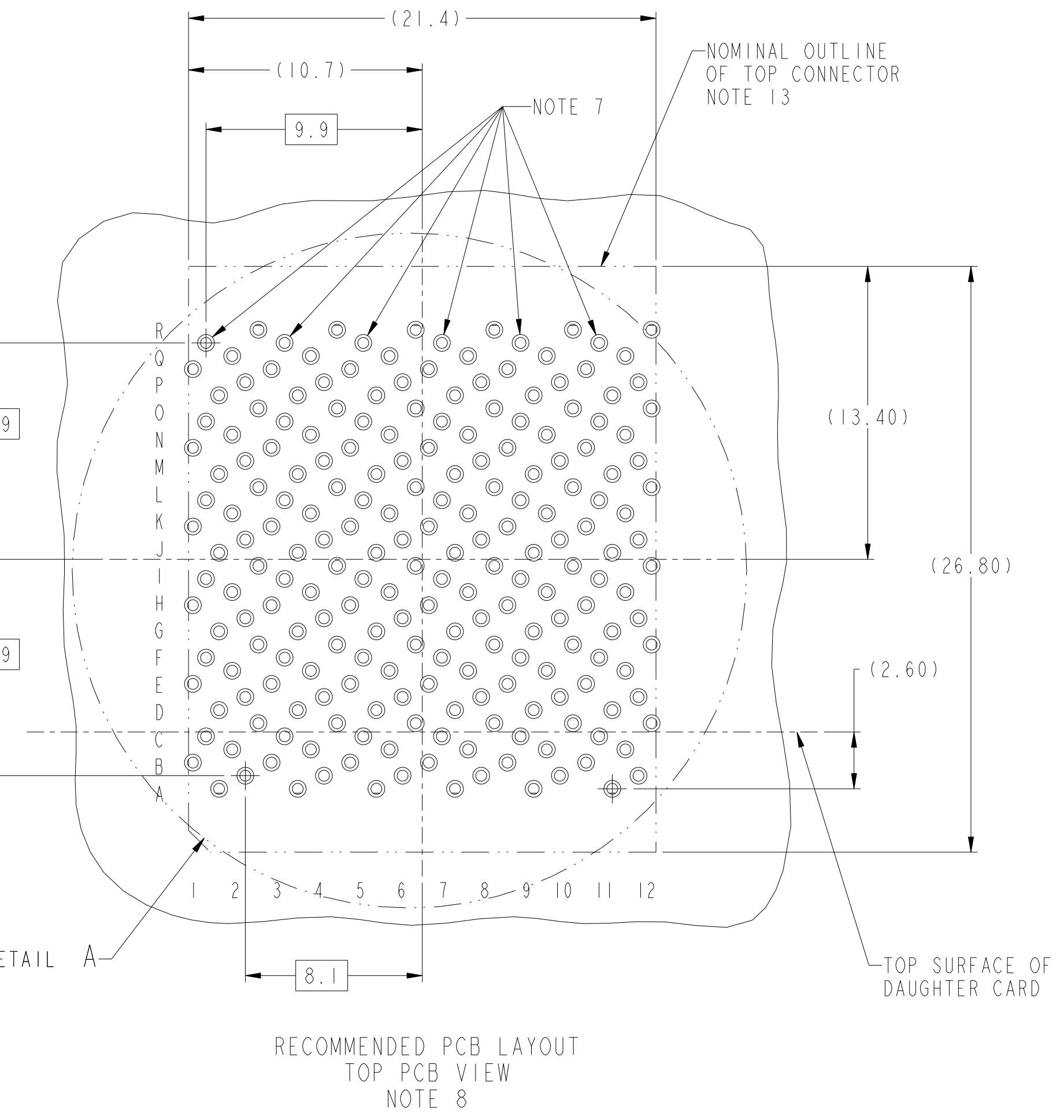
Product number
SEE TABLE, SHT 4



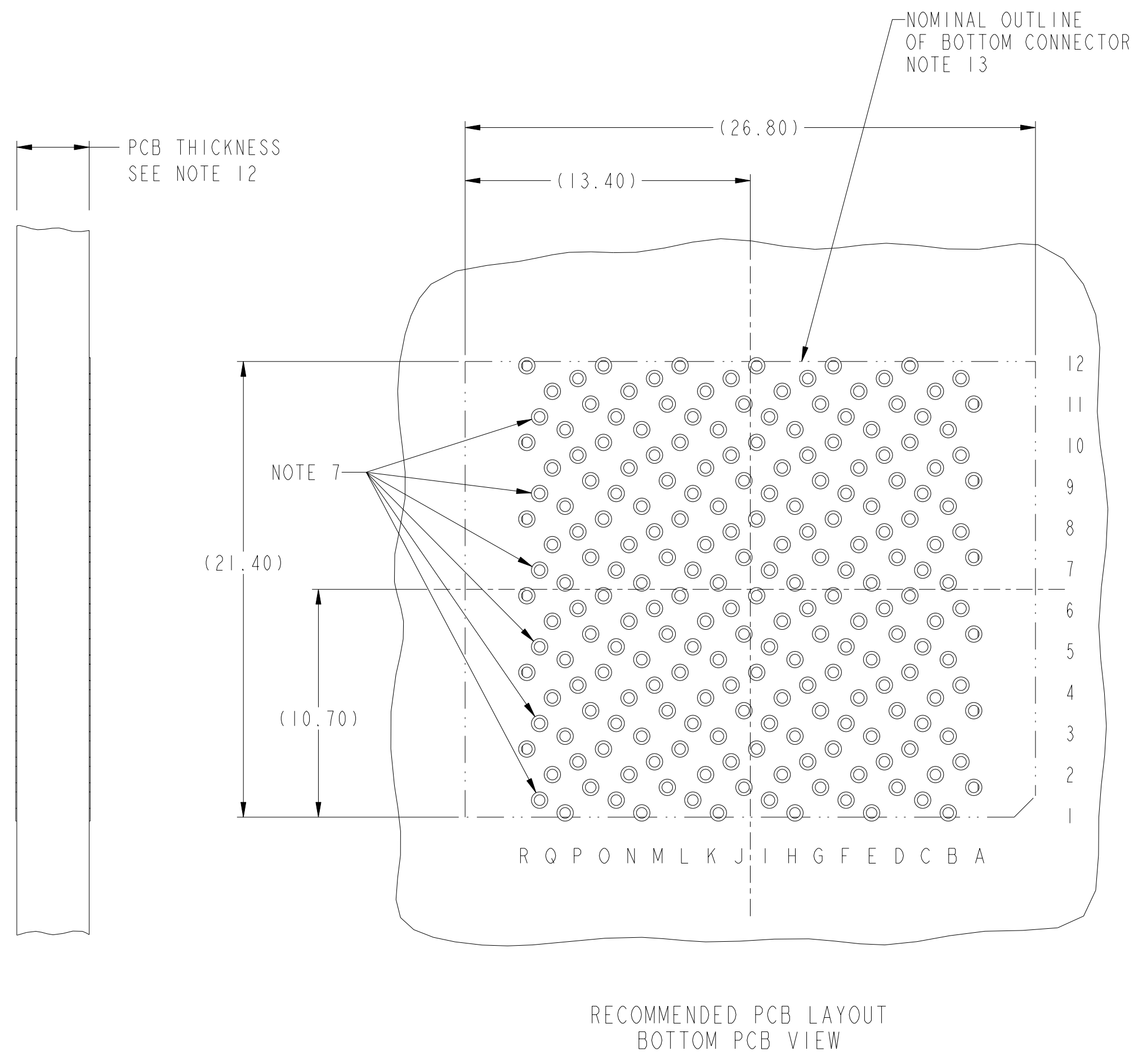
rev	ecn no	dr	date
A	V09-0144	DMJ	2009-04-01
-	-	-	-
-	-	-	-
-	-	-	-
-	-	-	-

www.fciconnect.com		surface ASME Y14.5	tolerance std ASME Y14.5	projection	MM
		TOLERANCES UNLESS OTHERWISE SPECIFIED			
Dr	G. HULL	2007-03-02	ANGULAR	0.X	±0.3
Eng	D. JOHNESCU	2007-03-02	LINEAR	0.XX	±0.10
Chr	D. JOHNESCU	2007-03-02	0° ±2°	0.XXX	±0.050
Appr	D. JOHNESCU	2009-04-01	Product family		ZipLine
		Spec ref		A2	
		ECN		***	
		ZipLine ORTHOGONAL VERT HDR		Rev. A	
		6 PR, 12 IMLA, 1.8mm PITCH, 21.6mm		10076222	
		catalog no		CUSTOMER	
				sheet 1 of 4	

Copyright FCJ
FCJ



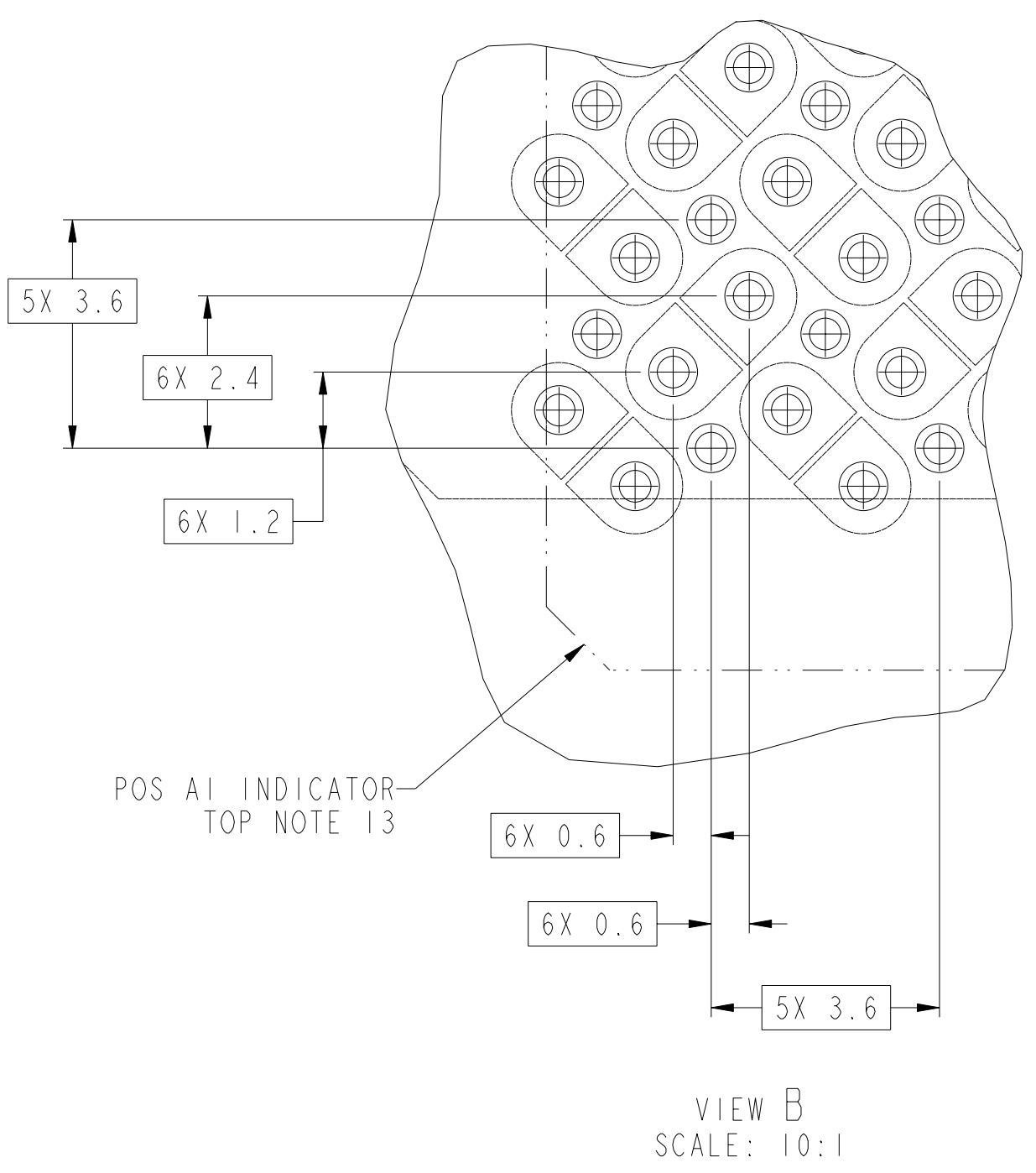
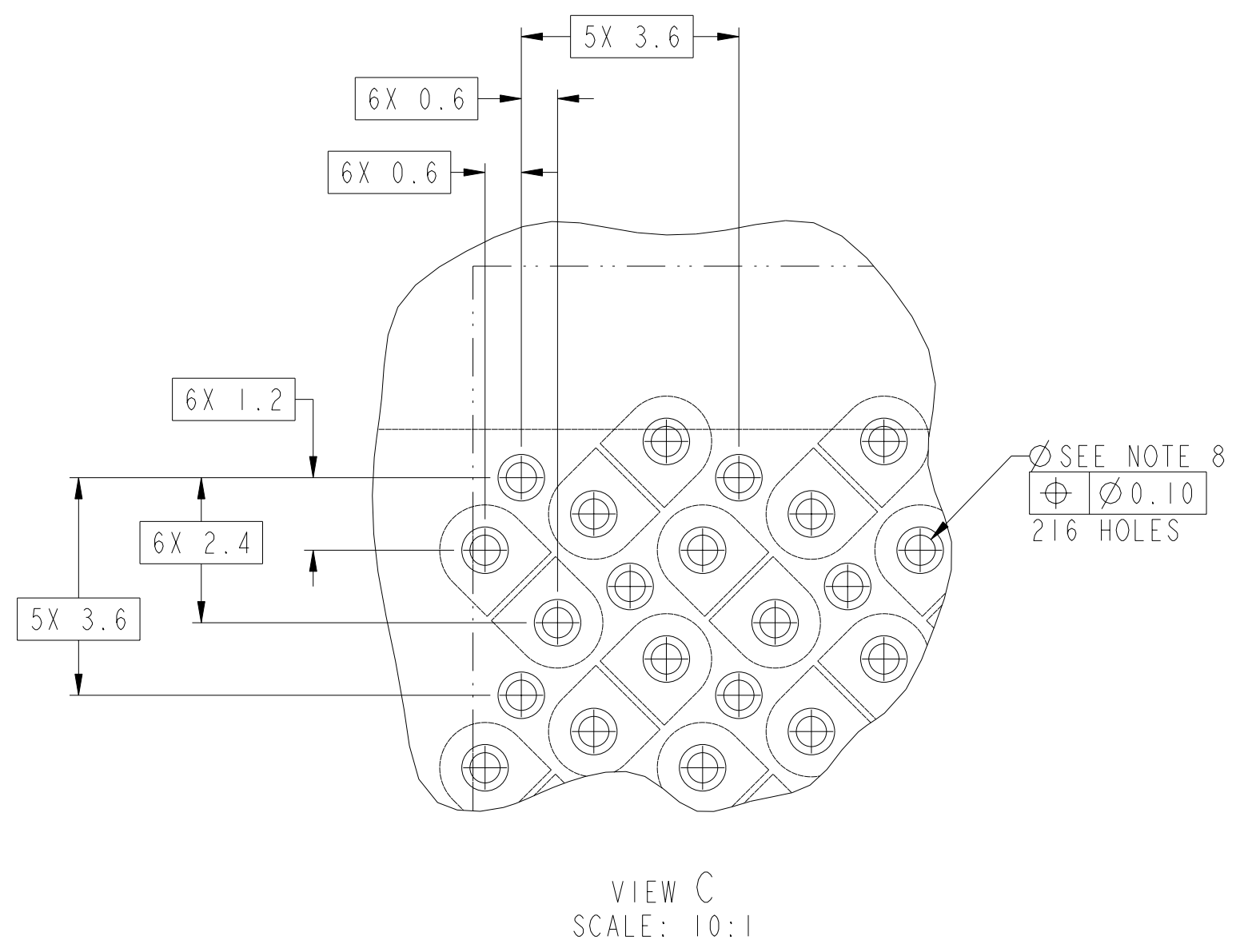
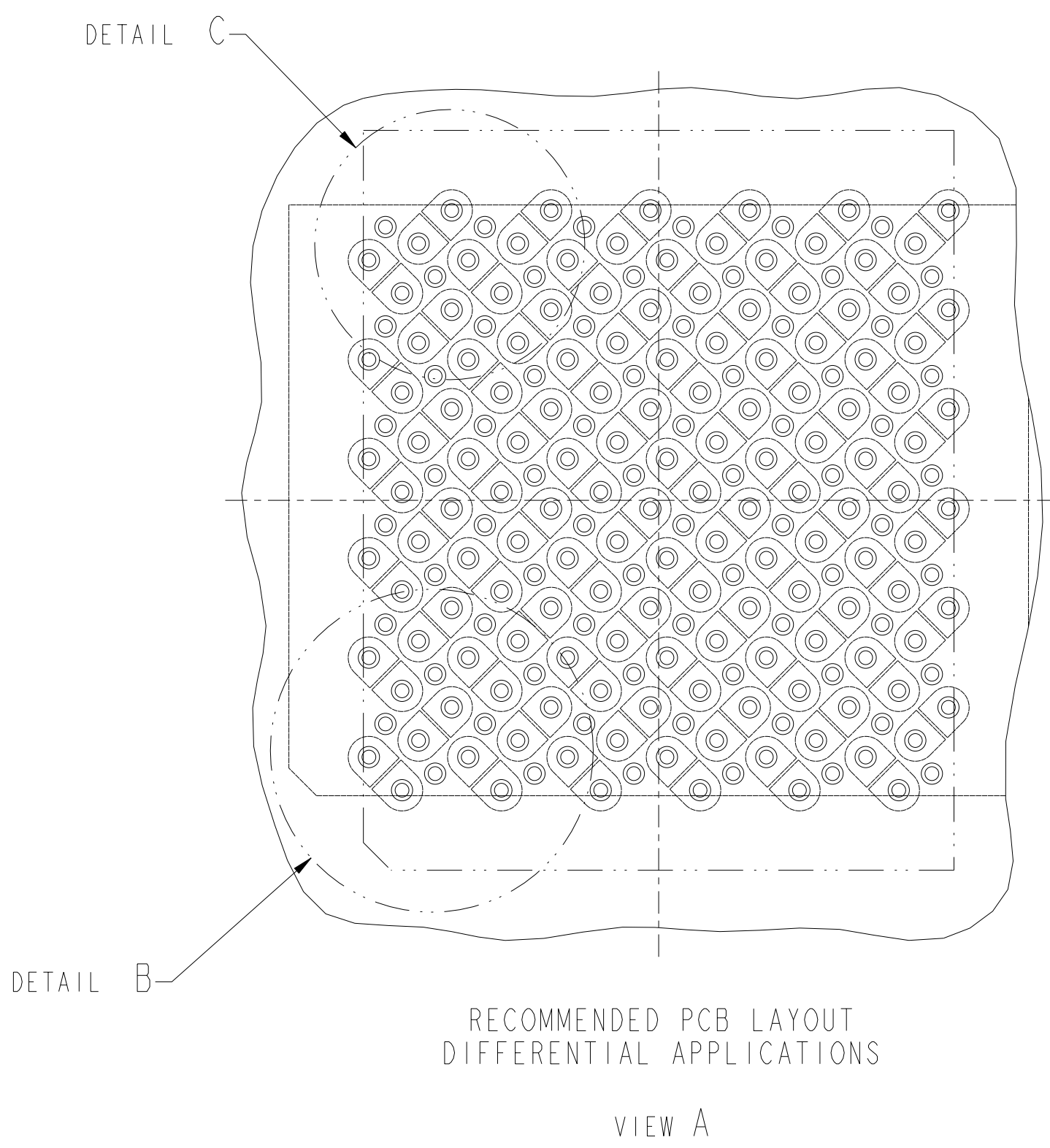
RECOMMENDED PCB LAYOUT
TOP PCB VIEW
NOTE 8



RECOMMENDED PCB LAYOUT
BOTTOM PCB VIEW

Copyright FCJ

	TITLE ZipLine ORTHOGONAL VERT HDR 6 PR, 12 IMLA, 1.8mm PITCH, 21.6mm	drawing no 10076222	Rev. A
	catalog no	CUSTOMER	sheet 2 of 4

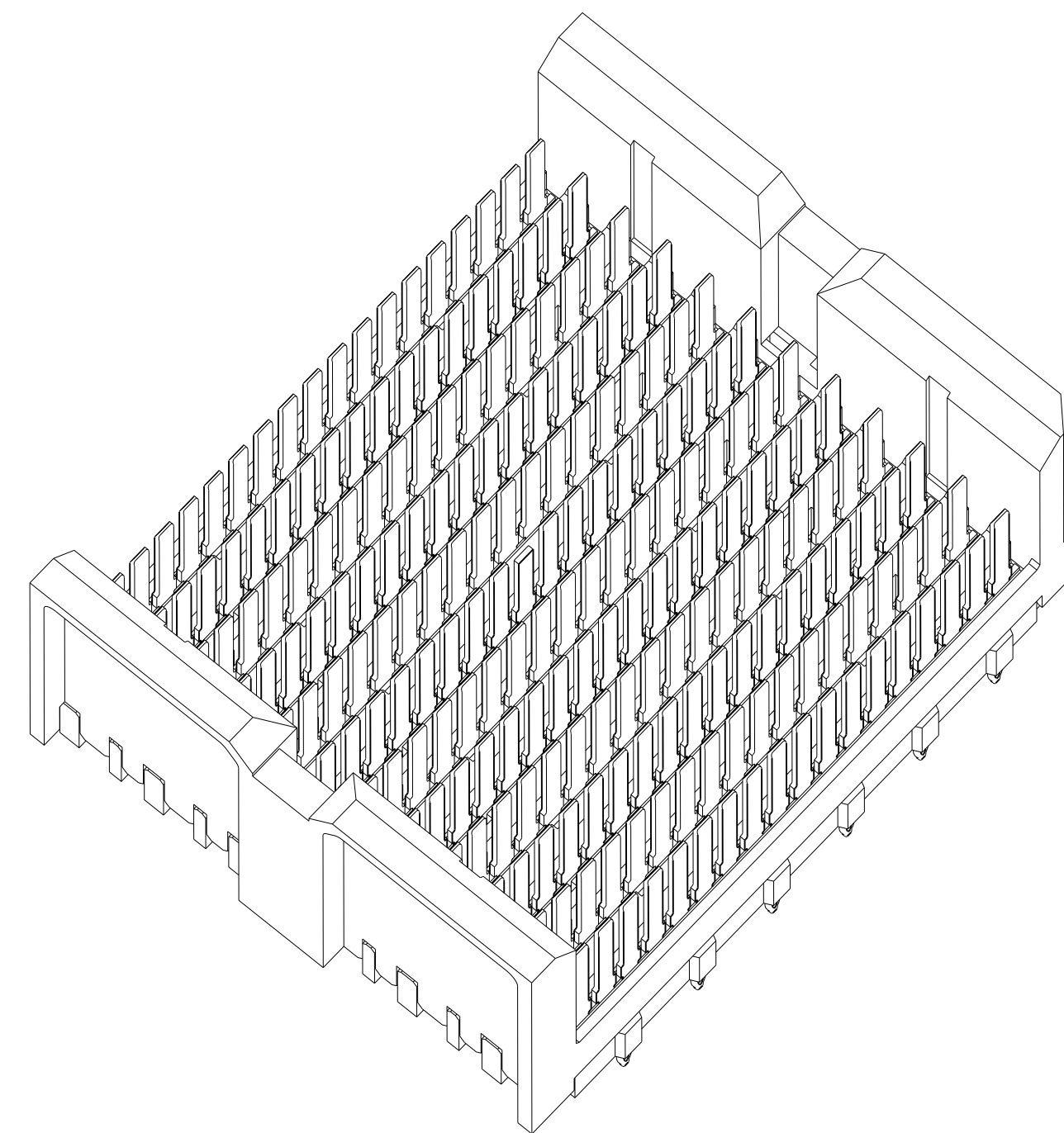


FCI	TITLE	ZipLine ORTHOGONAL VERT HDR	dwg no	10076222	Rev.	A
	6 PR, 12 IMLA, 1.8mm PITCH, 21.6mm					
	CATALOG NO		CUSTOMER	sheet 3 of 4		

PART NUMBER	PRESS-FIT TAIL PLATING TYPE	SHORT DETECT CONTACT
10076222-101	TIN LEAD ALLOY OVER NICKEL	NO
10076222-101LF	TIN OVER NICKEL (LEAD FREE)	NO
10076222-111	TIN LEAD ALLOY OVER NICKEL	YES
10076222-111LF	TIN OVER NICKEL (LEAD FREE)	YES

NOTES:

1. CONNECTOR MATERIALS:
HOUSING: HIGH TEMP THERMOPLASTIC, BLACK, UL94V-0
IMLA PLASTIC: HIGH TEMP THERMOPLASTIC, BLACK, UL94V-0
CONTACT: COPPER ALLOY
2. CONTACT PLATING:
SEPARABLE INTERFACE: PERFORMANCE-BASED PLATING, QUALIFIED TO MEET THE REQUIREMENTS OF FCI PRODUCT SPECIFICATION GS-12-452 INCLUDING TELCORDIA GR-1217-CORE (NOVEMBER 1995) CENTRAL OFFICE TEST SEQUENCE
PRESS-FIT TAILS: SEE TABLE
3. PRODUCT SPECIFICATION: GS-12-452.
4. APPLICATION SPECIFICATION: GS-20-094.
5. PRODUCT MARKING, (PART NUMBER & LOT CODE), ON THESE SURFACES.
6. FOR NON-ORTHOGONAL APPLICATIONS, THE MINIMUM CENTERLINE SPACING BETWEEN ADJACENT MODULES IS 21.6mm.
7. THERE IS NO GROUND BUSSING WITHIN THE HEADER CONNECTOR. HOWEVER, POSITIONS R1, R3, R5, R7, R9, & R11 OF THE MATING RECEPTACLE ARE BUSSED. THESE MUST BE ASSIGNED AS GROUNDS.
8. REFER TO CUSTOMER DRAWING 10045979 FOR INFORMATION ON PCB HOLE DIAMETERS AND PLATING OPTIONS.
9. THIS PRODUCT MEETS EUROPEAN UNION DIRECTIVES AND OTHER COUNTRY REGULATIONS AS DESCRIBED IN GS-22-008.
10. THE HOUSING WILL WITHSTAND EXPOSURE TO 260°C PEAK TEMPERATURE FOR 40 SECONDS IN A CONVECTION, INFRA-RED OR VAPOR PHASE REFLOW OVEN.
11. PACKAGING MEETS GS-14-920 LEAD FREE LABELING SPECIFICATION.
12. MINIMUM PCB THICKNESS TO BE 3.5mm FOR ORTHOGONAL APPLICATIONS.
13. CONNECTOR OUTLINE WITH HOUSING POS A1 INDICATOR MAY BE SCREEN PRINTED ONTO CUSTOMER PCB TO BE USED AS A GUIDE FOR MANUAL CONNECTOR PLACEMENT.
14. FOR -11X ASSEMBLIES, MATING PIN J7 HAS 0.60 mm LESS NOMINAL WIPE THAN OTHER PINS.



10076222-1X1



title ZipLine ORTHOGONAL VERT HDR
6 PR, 12 IMLA, 1.8mm PITCH, 21.6mm
catalog no -

dwg no 10076222
Rev. A
CUSTOMER sheet 4 of 4