

Product number  
10080068-4XXLXXLF

**CODING KEY - TABLE 2**

ORIENTATION FRONT VIEW	ORIENTATION SIDE VIEW	DEGREE
		0°
		90°
		180°
		270°

A

B

C

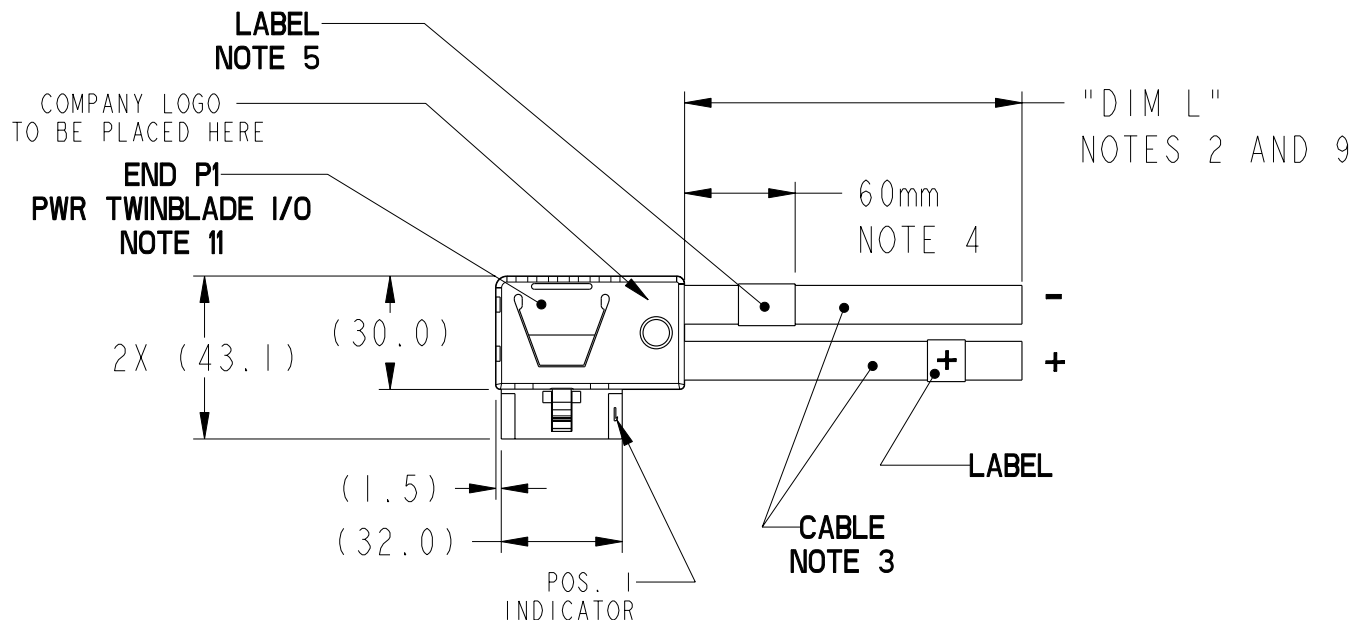
D

A

B

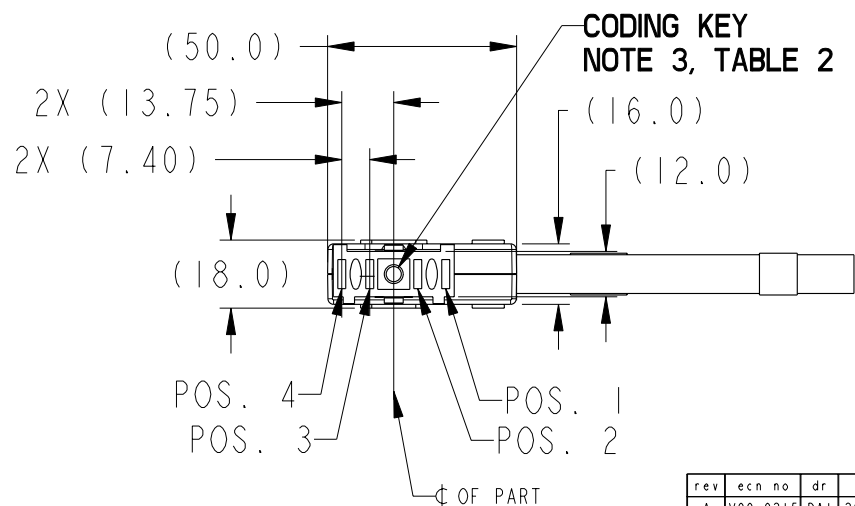
C

D



**TABLE 1 (SEE NOTE 6)**

WIRING LIST	
POS. 1	POSITIVE
POS. 2	+
POS. 3	NEGITIVE
POS. 4	-



www.fciconnect.com		surface <input checked="" type="checkbox"/>	tolerance std	projection	MM
		TOLERANCES UNLESS OTHERWISE SPECIFIED			
Dr	D. INGRAM	2009-05-05	ANGULAR	size	A4
Eng	D. INGRAM	2009-05-05	LINEAR	Scale	1:2
Chr	D. INGRAM	2009-05-05	0° ±2°	ECN	V09-0215
Appr	B. BRUBAKER	2009-05-05	Product family	C&A	Spec ref
		PWR TWINBLADE I/O		dwg no	10080068-4XXLXXLF
		R/A CABLE ASSEMBLY		Rev.	A
		catalog no		CUSTOMER	sheet 1 of 3

rev	ecn no	dr	date
A	V09-0215	DAI	2009-05-05



Copyright FCI.

Product number  
10080068-4XXLXXXLF

- NOTES:
- 1. MATES WITH FCI CONNECTOR: 51939-219LF.
  - ② UNLESS OTHERWISE SPECIFIED ASSEMBLED LENGTH TOLERANCE =
    - < = 1 METER:  $\pm 15.0\text{mm}$
    - > 1 METER TO 10 METER:  $\pm 2\%$  OF "DIM L"
    - > 10 METER: +0.00% / -4% OF "DIM L"
  - ③ PART NUMBER DESCRIPTION:  
10080068 - 4 X X LXXX LF

**STYLE:**

	END P1 CONNECTOR STYLE	END P2
4:	R/A	WIRES ONLY (BLUNT CUT CABLE)

**CABLE DESCRIPTION**

	WIRE SIZE	DESCRIPTION	NOTES
F:	10mm <sup>2</sup>	STRANDED	HALOGEN FREE
G:	16mm <sup>2</sup>	STRANDED	HALOGEN FREE
H:	25mm <sup>2</sup>	STRANDED	HALOGEN FREE

**CODING KEY:**

	ORIENTATION
A:	0°
B:	90°
C:	180°
D:	270°
E:	CUSTOMER INSTALLED

LF: LEAD FREE (NOTE 10)

LXXX = "DIM L"  
LXXX  
LENGTH IN CENTIMETERS  
EXAMPLES OF LXXX:  
L090 = 90cm  
L150 = 150cm



Copyright FCI.

	title	PWR TWINBLADE I/O R/A CABLE ASSEMBLY	dwg no	10080068-4XXLXXXLF	Rev.	A
	catalog no	-	CUSTOMER	sheet 2 of 3		

Product number  
10080068-4XXLXXLF

A

NOTES CONTINUED:

- ④ LABEL POSITION SHALL BE 60mm FROM REAR OF CONNECTOR.
- ⑤ UNLESS OTHERWISE SPECIFIED STANDARD LABEL SHALL FCI P/N 10081646-002.  
 LABEL DETAILS;  
 -MANUFACTURER CODE OR NAME  
 -FCI P/N OR CUSTOMER P/N  
 -REVISION  
 -DATE CODE WW/YY FORMAT  
 -COUNTRY ORIGIN  
 FONT SHALL BE CLEARLY VISIBLE AND BLACK IN COLOR.

B

- ⑥ ALL CABLE ASSEMBLIES SHALL BE TESTED 100% FOR CONTINUITY AS DEFINED IN WIRING LIST.
- 7. UNLESS OTHERWISE SPECIFIED ALL CABLE ASSEMBLIES SHALL BE 100% HI-POT TESTED BY APPLYING 300V DC FOR MINIMUM OF 10ms, UNLESS ACTIVE COMPONENTS ARE USED IN THIS ASSEMBLY.
- 8. OTHER TESTING PERFORMED AS REQUIRED BY PRODUCT SPECIFICATION: GS-12-389

C


- ⑨ THIS DIMENSION IS A FINISHED PRODUCT LENGTH.
- ⑩ LEAD FREE PRODUCTS MEET EUROPEAN UNION DIRECTIVES AND OTHER COUNTRY REGULATIONS AS DESCRIBED IN GS-22-008.
- ⑪ ASSEMBLY SHOWN IS FOR REFERENCE ONLY AND MAY NOT SHOW ALL PART DETAIL. REFERENCE CONNECTOR ASSEMBLY DRAWINGS FOR COMPLETE DETAILS.

Copyright FCI.

- 12. PACKAGING SPECIFICATION: GS-14-1325.
- 13. A "△" SYMBOL WILL BE NEXT TO ANY DIMENSION, VIEW, OR NOTE WHICH HAS BEEN MODIFIED WITH THE CURRENT DRAWING REVISION. THE CURRENT REVISION WILL BE SHOWN IN THE SYMBOL.

D

- 14. MATERIALS:  
 TOP/BOTTOM COVERS - HIGH TEMPERATURE NYLON  
 HOUSING - HIGH TEMPERATURE NYLON  
 STRAIN RELIEF - NYLON  
 LOCKING SPRING - HIGH TEMPERATURE NYLON  
 CODING KEY - HIGH TEMPERATURE NYLON - COLOR: RED  
 TERMINAL CRIMP - Cu ALLOY  
 TERMNAL BLADES - Cu ALLOY  
 CONDUCTOR - STRANDED COPPER  
 JACKET - POLYOFELIN (PE)

	TITLE	PWR TWINBLADE I/O R/A CABLE ASSEMBLY	dwg no	10080068-4XXLXXLF	Rev.	A
	catalog no	-	CUSTOMER	sheet 3 of 3		