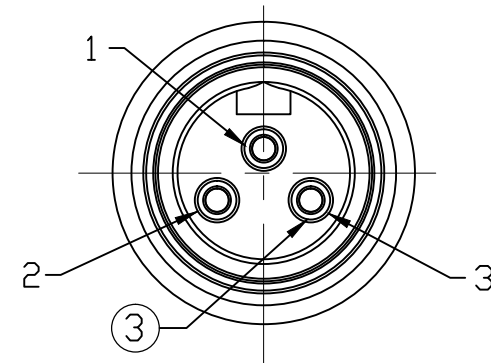
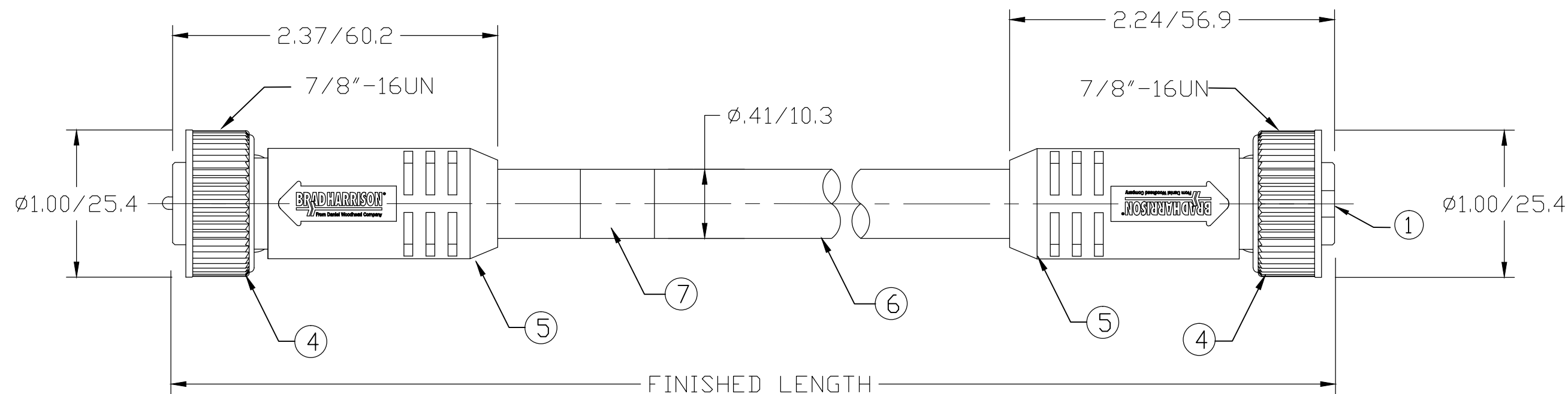
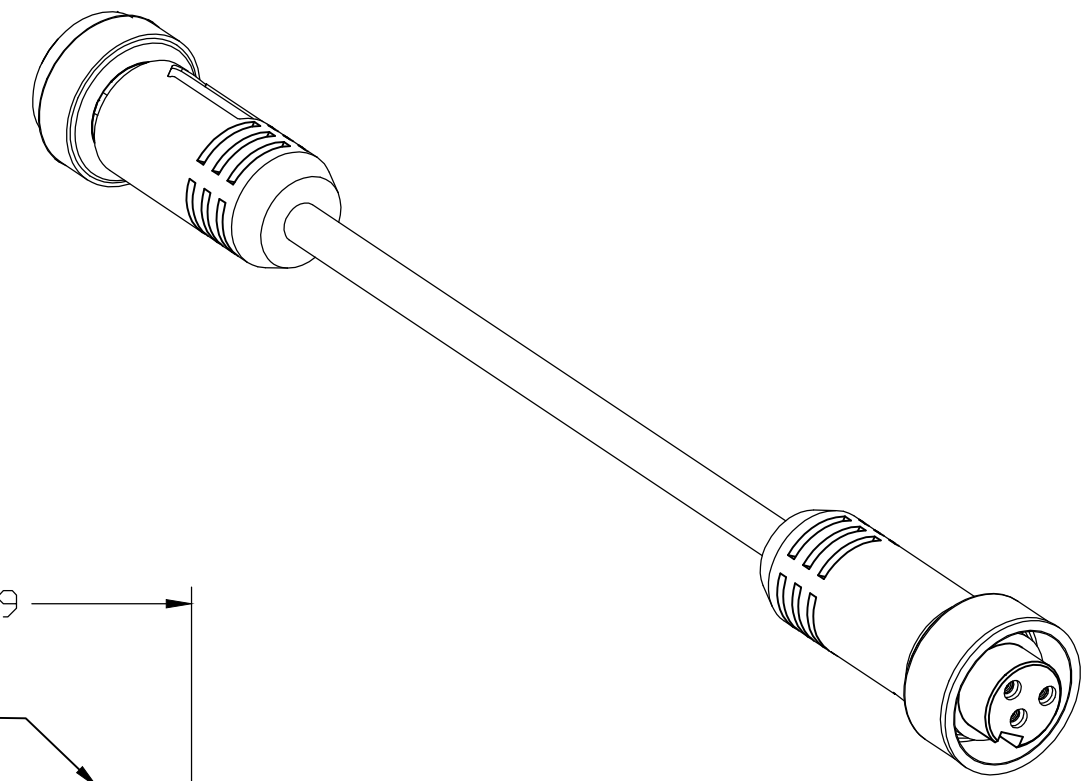
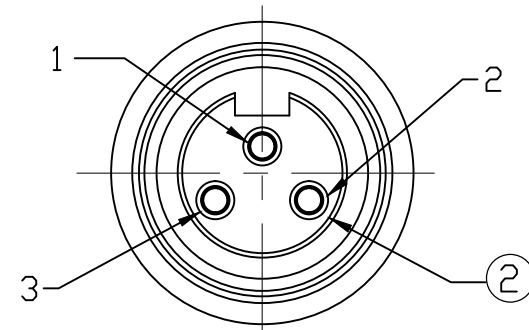


MATERIAL NUMBER	OLD PART NUMBER	FINISHED LENGTH
1300100210	113020A01F010	1.00' +.75" -0 [3M +19.1 -0]
1300100214	113020A01F030	3.00' +1.75" -0 [9M +44.5 -0]
1300100221	113020A01F060	6.00' +2.19" -0 [1.8M +55.6 -0]
1300100226	113020A01F090	9.00' +3.50" -0 [2.7M +88.9 -0]
1300100227	113020A01F100	10.00' +3.50" -0 [3.05M +88.9 -0]
1300100228	113020A01F120	12.00' +3.50" -0 [3.7M +88.9 -0]
1300100233	113020A01F150	15.00' +6.50" -0 [4.6M +165.1 -0]
1300100238	113020A01F200	20.00' +6.50" -0 [6.1M +165.1 -0]
1300100241	113020A01F250	25.00' +12.50" -0 [7.6M +317.5 -0]
1300100245	113020A01F300	30.00' +12.50" -0 [9.1M +317.5 -0]



MALE FACE VIEW



FEMALE FACE VIEW

1	GREEN-YELLOW	1
2	BLACK	2
3	WHITE	3

WIRING DIAGRAM

(D)

- NOTES:
- MATERIAL: SEE TABLE
  - FINISH: SEE TABLE
  - ELECTRICAL:  
VOLTAGE: 600VAC/DC  
CURRENT: 13A
  - TEMP RATING: -20°TO +105°C
  - PROTECTION: IP67 (WHEN MATED)
  - UL RECOGNIZED FIEL NO. E152210  
CSA CERTIFIED FILE NO. LR6837
  - ALL DIMS ARE FOR REFERENCE UNLESS NOTED OTHERWISE

TABLE

ITEM	COMPONENT	MATERIAL	FINISH
1	INSERT	PVC	YELLOW
2	CONTACT SOCKET	COPPER ALLOY	GOLD OVER NICKEL
3	CONTACT PIN	COPPER ALLOY	GOLD OVER NICKEL
4	COUPLING NUT	ZINC DIE CAST	BLACK E-COATED
5	OVERMOLD	PVC	YELLOW
6	CABLE- 16AWG, (65 X #34 COPPER STRANDING), 3 CONDUCTOR, 600V, ST00W, ST	PVC	YELLOW
7	LABEL	VINYL	BLACK/YELLOW

ADD 10 & 30 FT PINS AND NOTES EC NO: IPG2017-0531 DRWN: RSTONE 11/23/16 CHKD: M ZELIN 2016/11/28 APPR: BWOODMAN	QUALITY SYMBOL ▽=0 ▽=0	GENERAL TOLERANCES (UNLESS SPECIFIED)		DIMENSION STYLE IN/MM		SCALE	DESIGN UNITS	THIRD ANGLE PROJECTION	
						---	INCH		
						DRAWN BY DATE			TITLE
						CHECKED BY DATE			MINI-CHANGE CORDSET 3 POLE MALE/FEMALE 16 AWG PVC CABLE
				1 PLACE ±0.3 ±---		APPROVED BY DATE		MOLEX INCORPORATED	
				ANGULAR ±---°		DOCUMENT NO.			
				DRAFT WHERE APPLICABLE MUST REMAIN WITHIN DIMENSIONS		SD-130010-002			
				MATERIAL NO. SEE CHART		SHEET NO. 1 OF 1			
				SIZE C		THIS DRAWING CONTAINS INFORMATION THAT IS PROPRIETARY TO MOLEX INCORPORATED AND SHOULD NOT BE USED WITHOUT WRITTEN PERMISSION			

# Mouser Electronics

Authorized Distributor

Click to View Pricing, Inventory, Delivery & Lifecycle Information:

[Molex:](#)

[1300100221](#)