

HC-M-KV-M25(11-16)


Order No.: 1690574

The illustration shows version HC-M-KV-M20

<http://eshop.phoenixcontact.de/phoenix/treeViewClick.do?UID=1690574>

Metal screw connection up to 5 bar, thread length: 7 mm, cable diameter: 11 - 16 mm, WAF 27, screw connection: M25

Commercial data

GTIN (EAN)	 4 017918 822637
sales group	D290
Pack	25 pcs.
Customs tariff	74199990
Catalog page information	Page 593 (PC-2011)

Product notes

WEEE/RoHS-compliant since:
02/16/2006



<http://www.download.phoenixcontact.com>
Please note that the data given here has been taken from the online catalog. For comprehensive information and data, please refer to the user documentation. The General Terms and Conditions of Use apply to Internet downloads.

Technical data

General data

Type of the screw connection	M25
Cable gland material	Nickel-plated brass
Seal material	Neoprene
Cable seal material	Neoprene
Material, O-ring	NBR

Wrench size, union nut	27 mm
Wrench size, support	27 mm
Thread type connection side 1	M25
Length of the connecting thread	7.00 mm
External cable diameter	11 mm ... 16 mm
Conductor sealing range	11.00 mm ... 16.00 mm
Tightening torque, union nut	10.00 Nm
Degree of protection	IP68, to 5 bar
Ambient temperature (operation)	-20 °C ... 100 °C

Certificates / Approvals

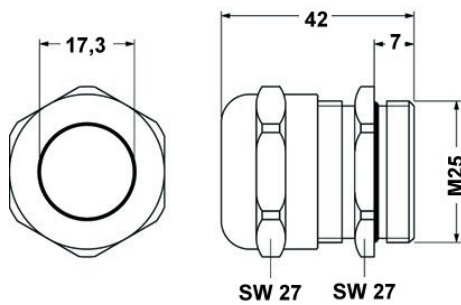


Certification

GOST

Diagrams/Drawings

Dimensioned drawing



Address

PHOENIX CONTACT Inc., USA
586 Fulling Mill Road
Middletown, PA 17057, USA
Phone (800) 888-7388
Fax (717) 944-1625
<http://www.phoenixcon.com>



© 2011 Phoenix Contact
Technical modifications reserved;