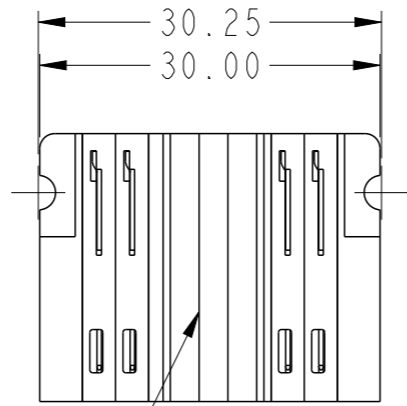
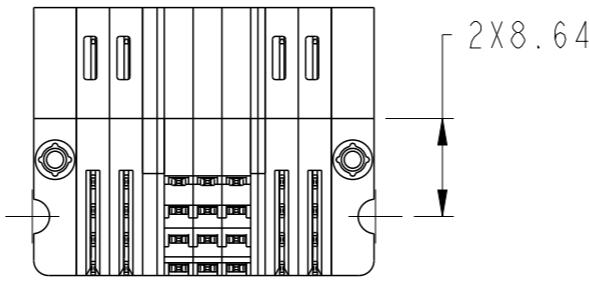
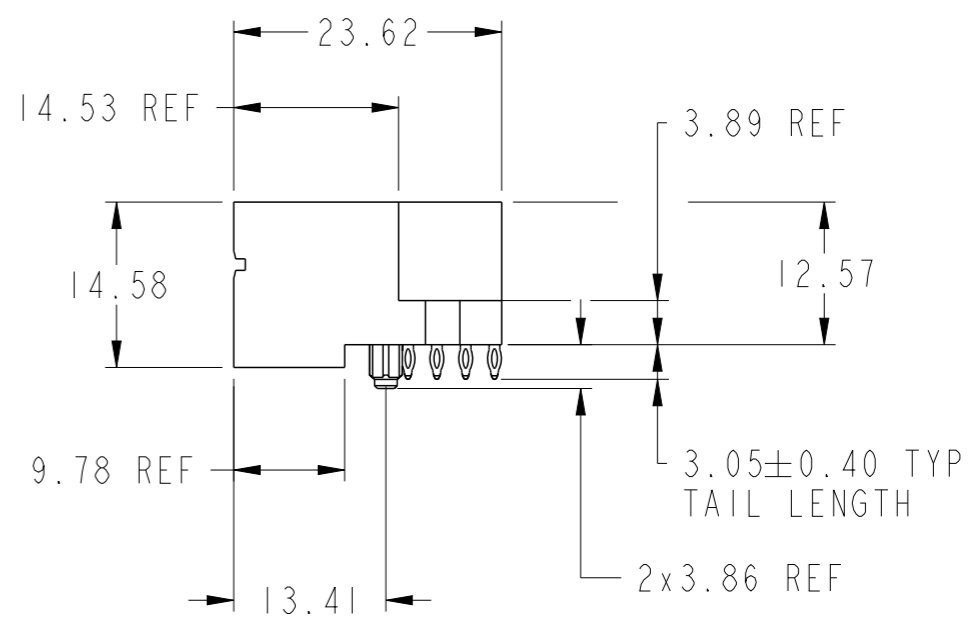
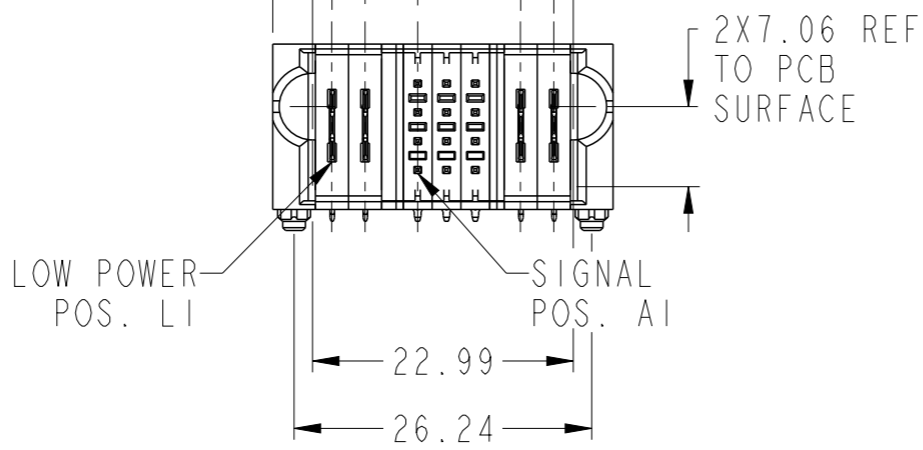
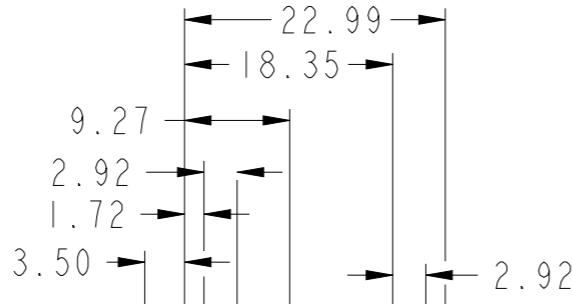


PRODUCT NUMBER SEE SHEET 2



NOTE 1

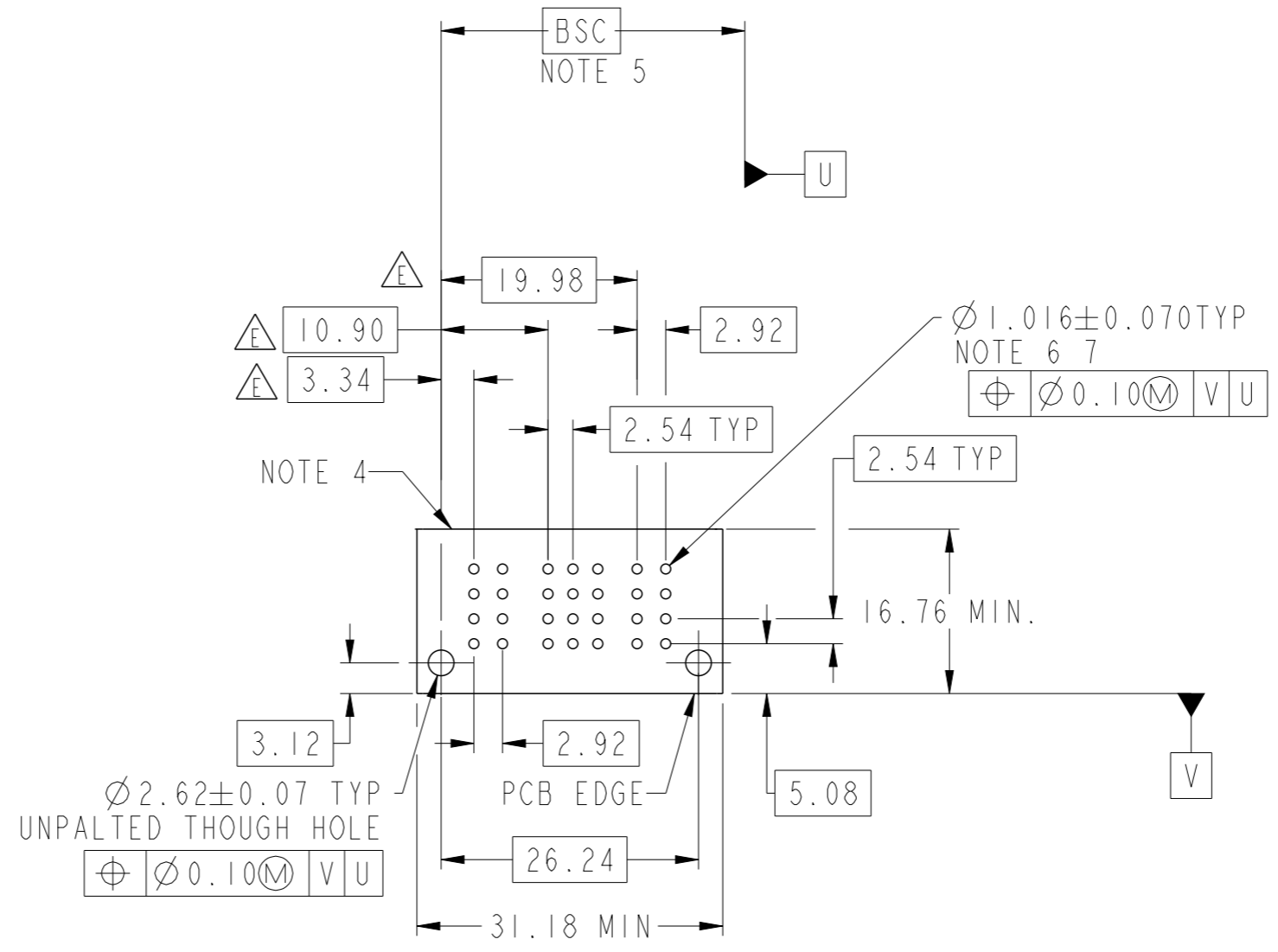


Amphenol FCI

© 2016 AFCI

spec ref		dr	Bob Xie	2013/09/03	projection 	MM ←→	size	A3	scale	3:2
tolerance std		eng	Rainbow Zhan	2016/02/22			ecn no	ELX-DG-23330-1		
ASME Y14.5		chr	Fancy Zhang	2016/02/23			rel level	Released		
TOLERANCES UNLESS OTHERWISE SPECIFIED		appr	Pei-Ming Zheng	2016/02/25	product family		PwrBlade+		rev	
surface	linear	0.X	±0.50	Amphenol FCI	2LP + 12S + 2LP RA PF HEADER		dwg no	10106263-HWPHD01		E
		0.XX	±0.25							
		0.XXX	±0.10							
ASME Y14.5	angular	0°	±°	www.fci.com	cat. no.	Product - Customer Drw		sheet 1 of 3		

PRODUCT NO.	ROWS	LP		SIG			LP		E1	P1	P2	1	2	3	P3	P4	E2
		LS	LS	SD	SD	LD	LD	LS									
10106263-HWPHD01LF	DCBA																



Amphenol
FCi

© 2016 AFCI

CODE	DESCRIPTION
LD	LMFB SIGNAL CONTACT, ROW D (3.05)
LS	STD LOW POWER CONTACT (3.05)
SA	STD SIGNAL CONTACT, ROW A (3.05)
SB	STD SIGNAL CONTACT, ROW B (3.05)
SC	STD SIGNAL CONTACT, ROW C (3.05)
SD	STD SIGNAL CONTACT, ROW D (3.05)

spec ref	dr	Bob Xie	2013/09/03	projection	MM	size	A3	scale	3:2
tolerance std	eng	Rainbow Zhan	2016/02/22			ecn no	ELX-DG-23330-1	rel level	Released
ASME Y14.5	chr	Fancy Zhang	2016/02/23						
TOLERANCES UNLESS OTHERWISE SPECIFIED				product family	PwrBlade+				
surface	linear	0.X	±0.50	Amphenol FCI 2LP + 12S + 2LP RA PF HEADER www.fci.com	cat. no.	Product - Customer Drw	sheet 2 of 3	rev E	dwg no 10106263-HWPHD01
		0.XX	±0.25						
		0.XXX	±0.10						
ASME Y14.5	angular	0°	±°						

NOTES:

- 1) "FCI", PART NUMBER AND DATE CODE TO BE MARKED ON THIS SURFACE.
THE MARK CAN BE OMITTED IF THERE IS NOT ENOUGH SPACE ON THIS SURFACE.
- 2) MATERIALS:
-HOUSING - GLASS FILLED WITH HIGH TEMP THERMOPLASTIC, UL94V-0.
-SIGNAL CONTACT - COPPER ALLOY.
-POWER CONTACT - HIGH CONDUCTIVITY COPPER ALLOY.
- 3) PLATING SPECIFICATION: 10116351
- 4) DENOTES CONNECTOR KEEP OUT ZONE.
- 5) DATUM AND BASIC DIMENSIONS ARE ESTABLISHED BY CUSTOMER.
- 6) ALL HOLE DIAMETERS ARE FINISHED HOLE SIZES.
- 7) 1.15 ±0.025MM DRILLED HOLE PLATED WITH 0.00762MM MIN Sn
OVER 0.0254-0.0762MM Cu PLATING TO ACHIEVE A 1.02 ±0.07MM HOLE.
- 8) PRODUCT SPECIFICATION: GS-12-658.
APPLICATION SPECIFICATION: GS-20-141.
PRODUCT PACKAGED IN TRAYS: GS-14-1502.
- △ 9) THE "△E" SYMBOL WILL BE NEXT TO ANY DIMENSION, VIEW, OR NOTE WHICH HAS BEEN MODIFIED WITH THE CURRENT DRAWING REVISION.

Amphenol
FCi

© 2016 AFCI

spec ref		dr	Bob Xie	2013/09/03	projection	MM	size	A3	scale	3:2
tolerance std		eng	Rainbow Zhan	2016/02/22		← →	ecn no		ELX-DG-23330-1	
ASME Y14.5		chr	Fancy Zhang	2016/02/23			product family		PwrBlade+	
surface	linear	0.X	±0.50		Amphenol FCi	2LP + 12S + 2LP	dwg no	10106263-HWPHD01		rev
		0.XX	±0.25							
		0.XXX	±0.10							
ASME Y14.5	angular	0°	±°		www.fci.com	cat. no.	Product - Customer Drw		sheet 3 of 3	

Mouser Electronics

Authorized Distributor

Click to View Pricing, Inventory, Delivery & Lifecycle Information:

[FCI / Amphenol:](#)

[10106263-HWPHD01LF](#)