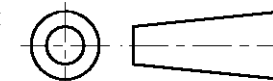


DO NOT SCALE

DIMENSIONS IN mm

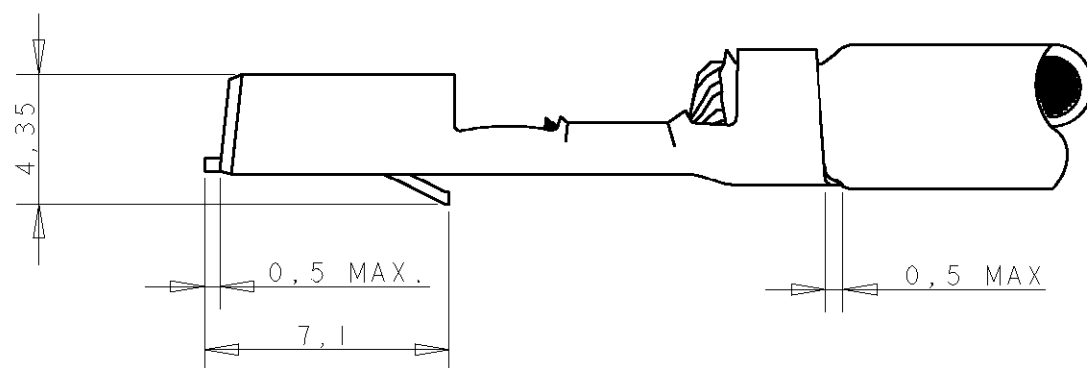
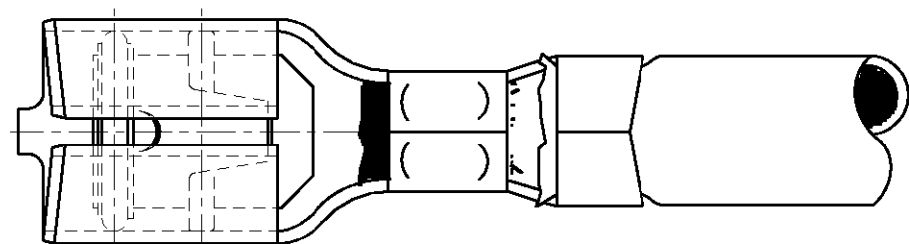
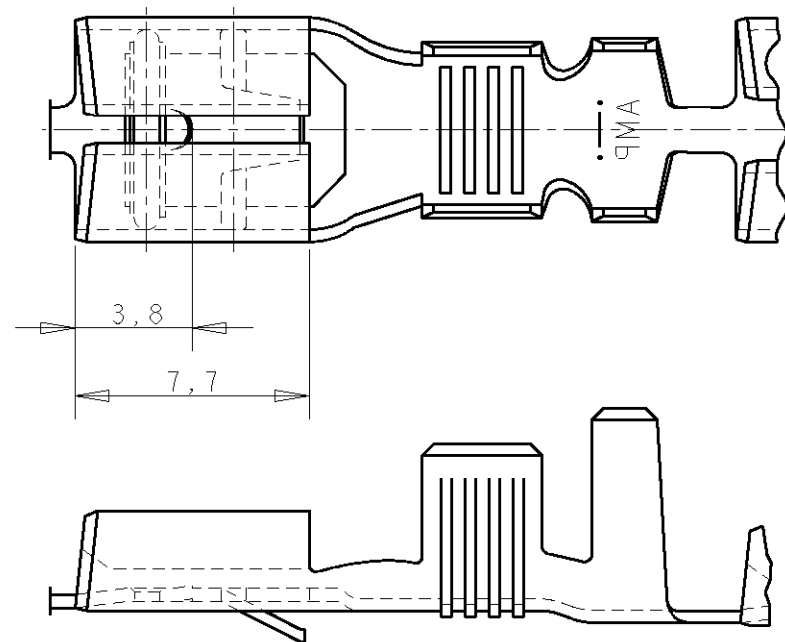
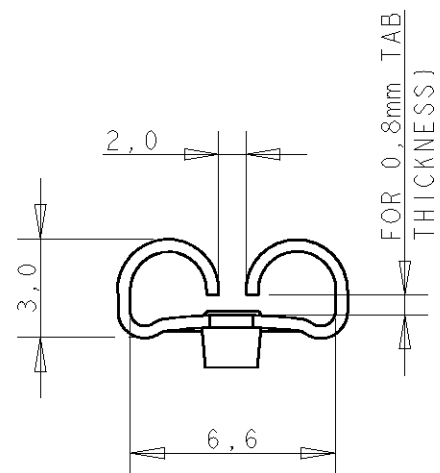
METRIC

THIRD ANGLE  
PROJECTION




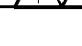
NOTES:

-  FOR USE ON STANDARD AND MINIATURE APPLICATORS.
-  REELED WITH PAPER COVER.



WIRE RANGE :  
0,5-1,5 mm<sup>2</sup>  
INSULATION RANGE :  
2,3-3,3 DIA.

GENERAL TOLERANCES ±0.3

NOTES	FINISH	MATERIAL	PARTNUMBER
	UNPLATED	BRASS	160825-5
	UNPLATED	PHOSPHORBRONZE	160825-3
-	-	-	-
-	-	-	-
-	-	-	-

DR.	CHK.	APP.	DATE	DR.	CHK.	DATE	DWG. No.	REV. LTR.	SHEET																								
D. KESSLER	P. BEIJNON	L. V. SOEST	21-06-94	-	-	-	160825	E	1 OF 1																								
<table border="1"> <thead> <tr> <th>REV.</th> <th>DATE</th> <th>DR.</th> <th>CHK.</th> <th>DATE</th> </tr> </thead> <tbody> <tr> <td>E</td> <td>11 JUL 01</td> <td>JC</td> <td>JL</td> <td>11 JUL 01</td> </tr> <tr> <td>C</td> <td>19 JUN 01</td> <td>JC</td> <td>JL</td> <td>19 JUN 01</td> </tr> <tr> <td>B</td> <td>30 APR 01</td> <td>JC</td> <td>RS</td> <td>30 APR 01</td> </tr> <tr> <td>A</td> <td>21-06-94</td> <td>DK</td> <td>PB</td> <td>21-06-94</td> </tr> </tbody> </table>							REV.	DATE	DR.	CHK.	DATE	E	11 JUL 01	JC	JL	11 JUL 01	C	19 JUN 01	JC	JL	19 JUN 01	B	30 APR 01	JC	RS	30 APR 01	A	21-06-94	DK	PB	21-06-94	<p><b>AMP</b> Tyco Electronics AMP Barcelona, Spain</p>	
REV.	DATE	DR.	CHK.	DATE																													
E	11 JUL 01	JC	JL	11 JUL 01																													
C	19 JUN 01	JC	JL	19 JUN 01																													
B	30 APR 01	JC	RS	30 APR 01																													
A	21-06-94	DK	PB	21-06-94																													
<p>CUSTOMER DRAWING FOR REFERENCE ONLY WILL NOT BE UPDATED</p> <p>© COPYRIGHT 19- BY AMP HOLLAND B.V. ALL INTERNATIONAL RIGHTS RESERVED. AMP PRODUCTS MAY BE COVERED BY U.S. AND FOREIGN AND/OR PATENTS PENDING.</p> <p>THIS DRAWING IS UNPUBLISHED RELEASED FOR PUBLICATION</p>							<p>6,3 SRS FAST-IN-ON RECEPTACLE</p>																										
<p>REVISION RECORD</p>							<p>NAME</p>																										