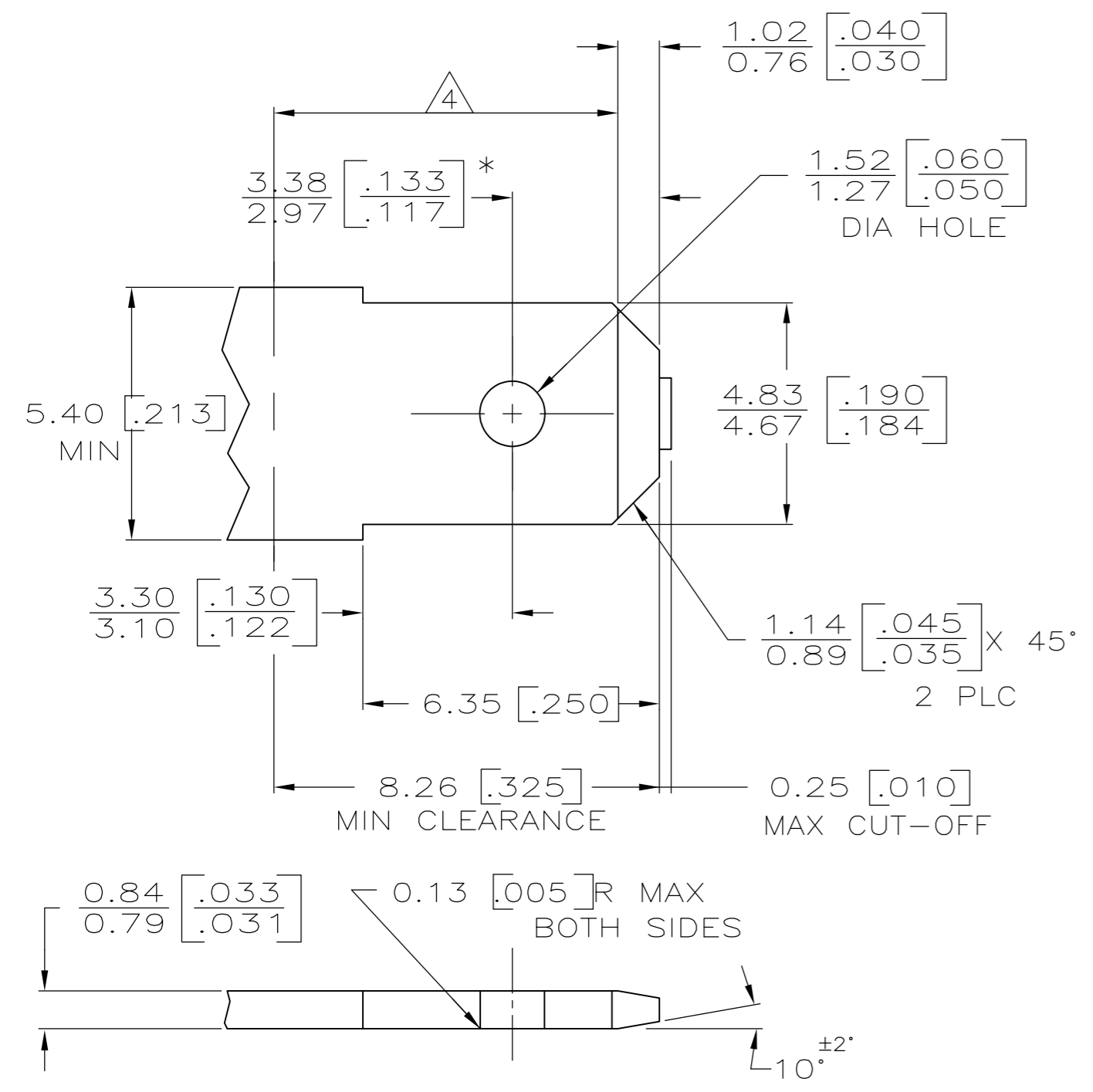
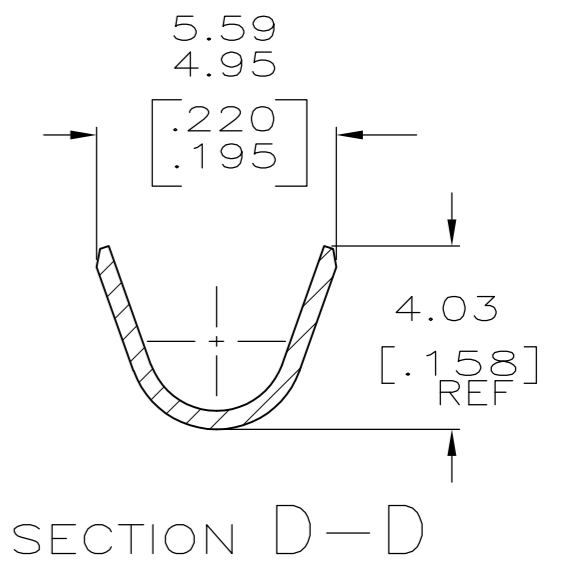
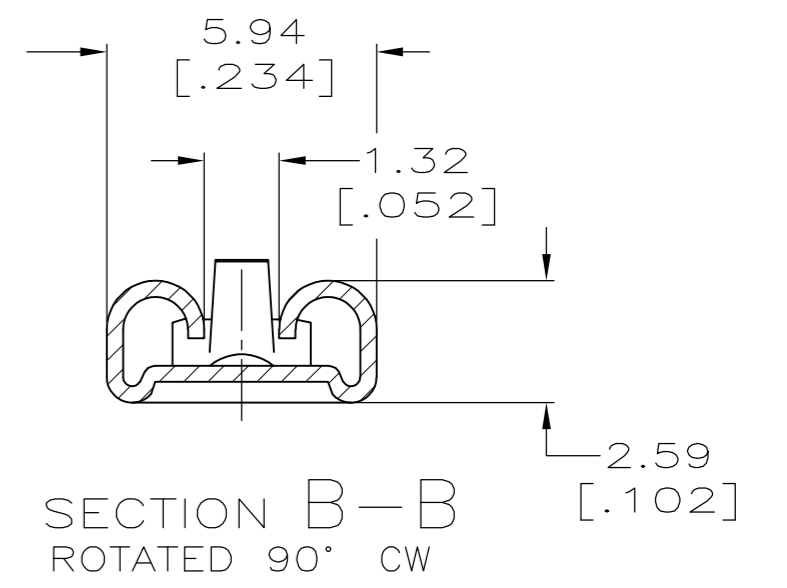
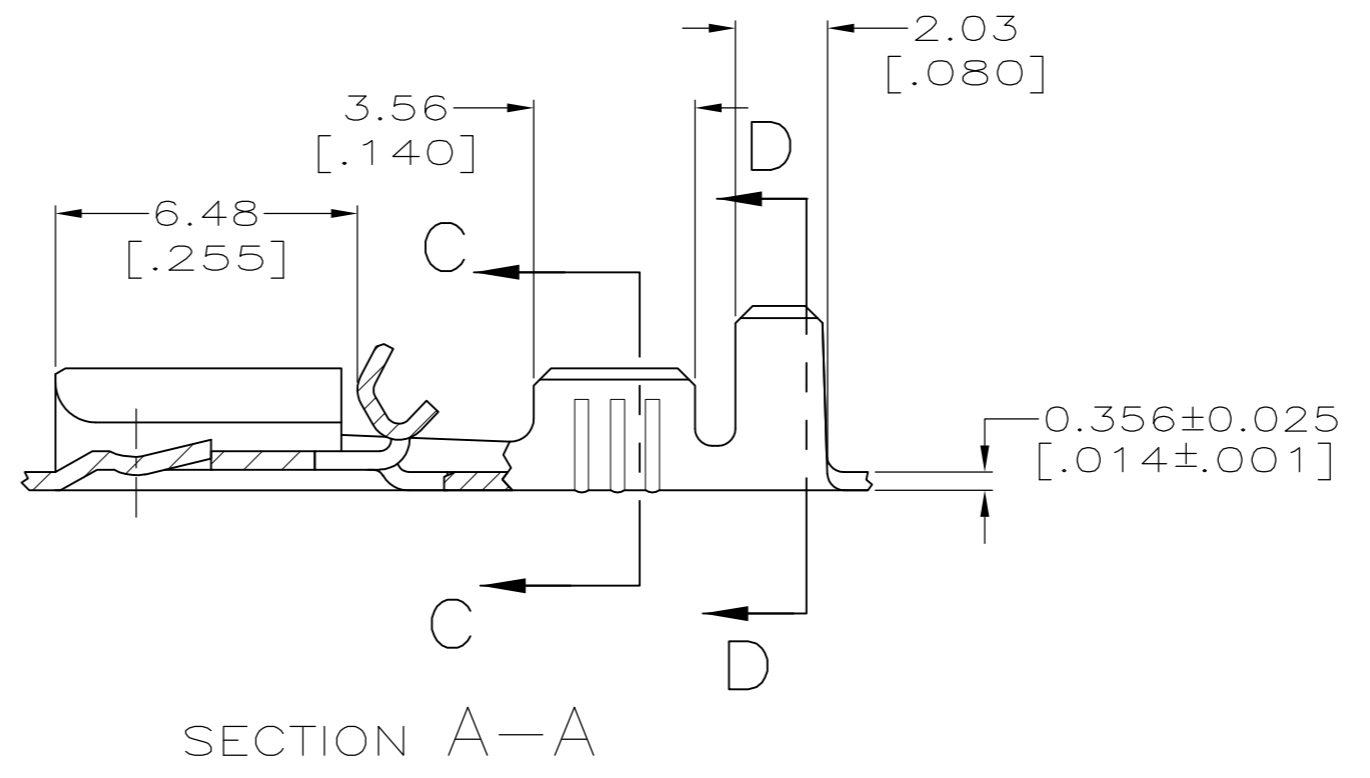
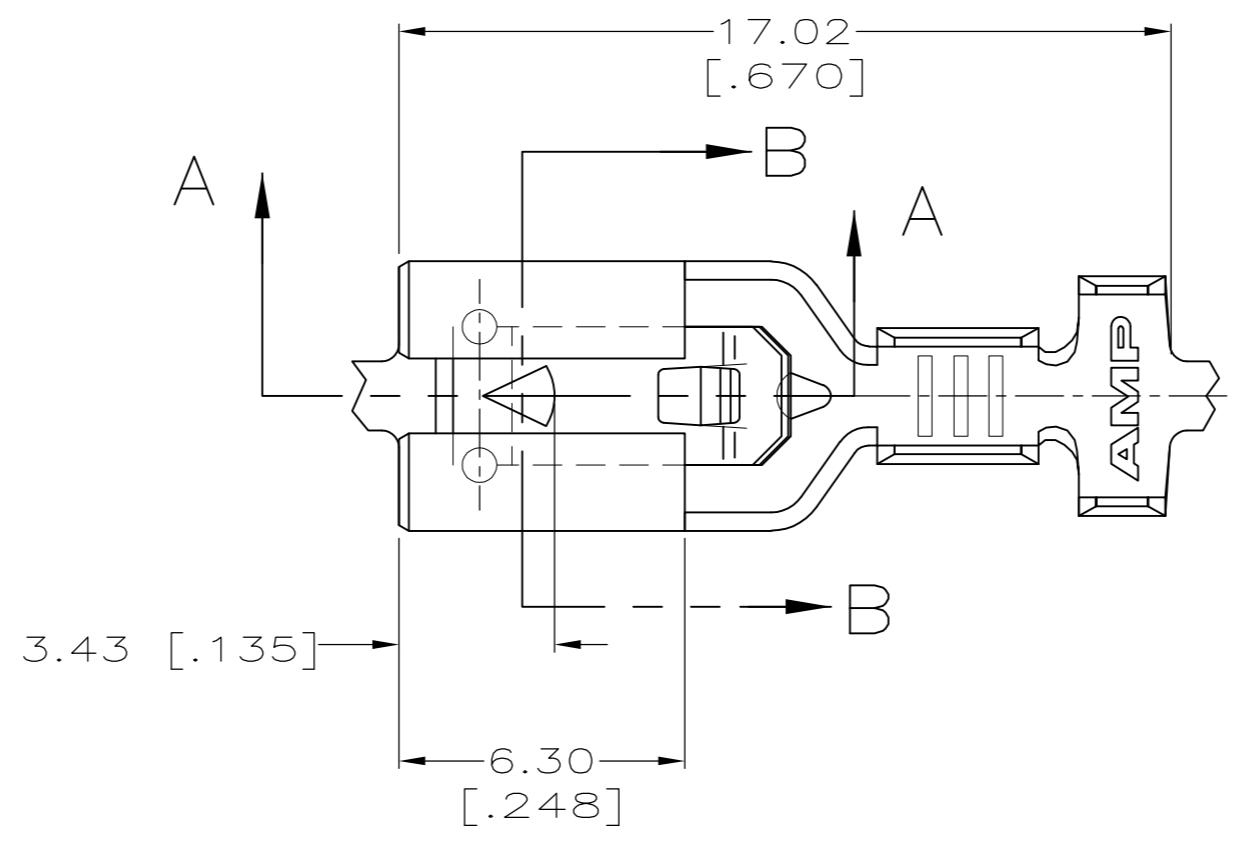


REVISIONS				
P	LTR	DESCRIPTION	DATE	APVD
F1		REVISED PER ECR-15-016360	10MAR2016	NK LP

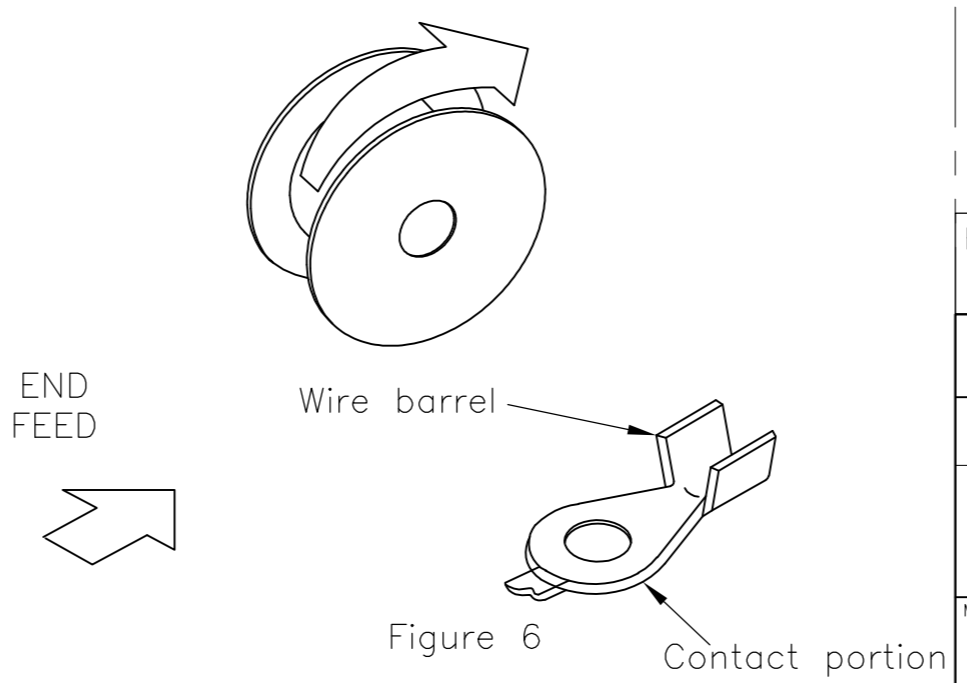
SUGGESTED MATING TAB



- MATL: #2 HARD BRASS OR NICKEL PLATE STEEL.
  - NO BURRS PERMISSIBLE AT HOLE.
  - TIN PLATING IS REQUIRED ON BRASS WHEN TERMINAL TEMPERATURE IS OVER 225°F
  - MUST BE FLAT WITHIN 0.076 [.003] OVER THIS LENGTH.
  - HOLE MUST BE SYMMETRICAL ABOUT TAB  $\phi$  WITHIN 0.076 [.003].
- \* TO BE USED ONLY WHEN SHOULDER IS ELIMINATED.



This specification lists various figures which indicate the direction a product comes off the top of the reel.



REELING  
107-3 FIG.6

THIS DRAWING IS A CONTROLLED DOCUMENT.		DWN	JR RUTH	6/26/98
DIMENSIONS: mm [INCHES]		CHK	MS FEHER	6/26/98
TOLERANCES UNLESS OTHERWISE SPECIFIED:		APVD	E HOWARD	6/26/98
0 PLC	± -	NAME		
1 PLC	± -	PRODUCT SPEC		
2 PLC	± 0.25 [.010]	APPLICATION SPEC		
3 PLC	± -	WEIGHT		
4 PLC	± -	0		
ANGLES	± -	CUSTOMER DRAWING		
MATERIAL	BRASS	SEE TABLE		

OBSOLETE		TIN	1217097-2
		-	-1217097-1-
		FINISH	PART NO.
<b>STE</b> TE Connectivity			
RECEPTACLE, POSITIVE-LOCK, MARK III, 4.75 [.187] SERIES			
SIZE	A2	CAGE CODE	00779
DRAWING NO	C=1217097		RESTRICTED TO
SCALE	6:1	SHEET	1 of 1
REV	F1		

# Mouser Electronics

Authorized Distributor

Click to View Pricing, Inventory, Delivery & Lifecycle Information:

[TE Connectivity:](#)

[1217097-1](#)