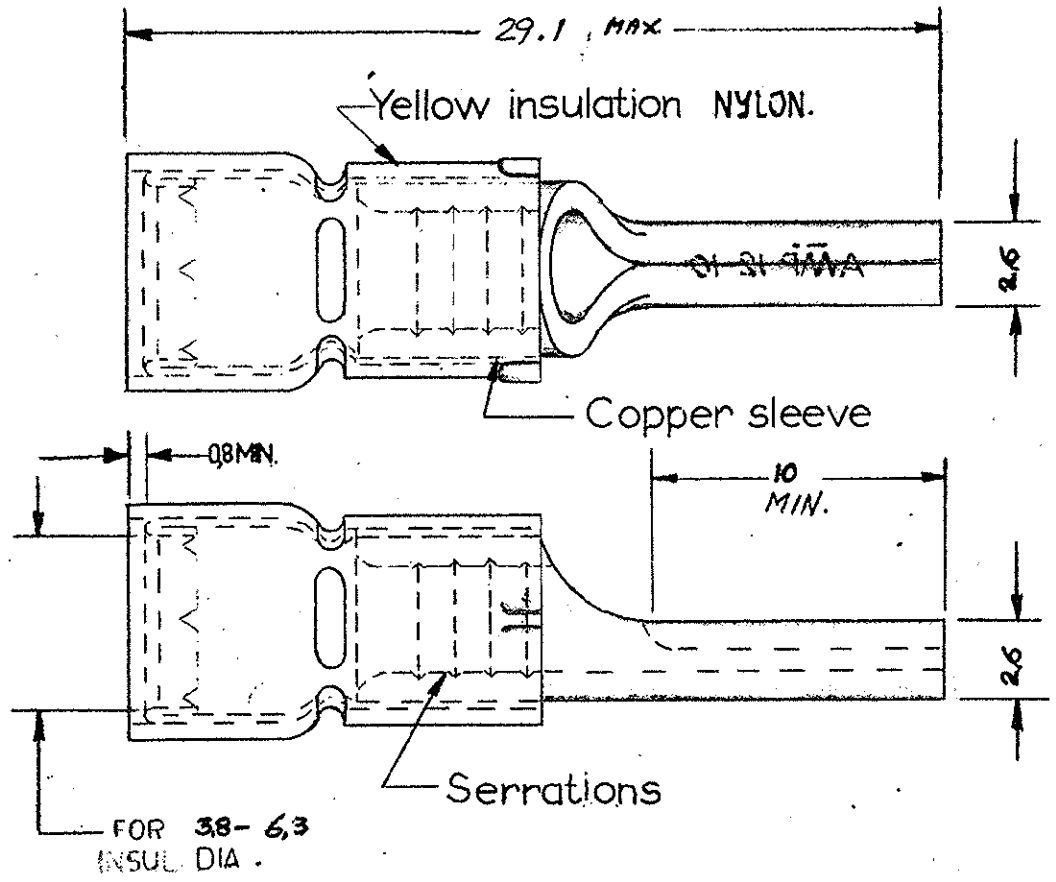
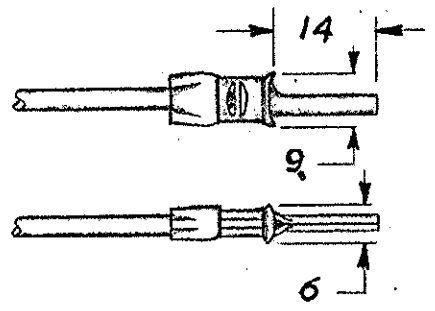
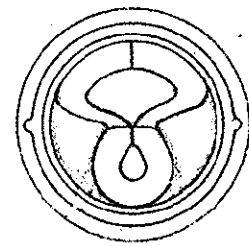


NUMBER
C-165049-E

DIMENSIONS IN **MM** —DO NOT SCALE PRINT



AMP NR.	FINISH
165049	Tinplated



**CUSTOMER PRINT
FOR REFERENCE ONLY**

©1960 BY AMP Holland N.V. ALL RIGHTS RESERVED. AMP PRODUCTS COVERED BY PATENTS AND/OR PATENTS PENDING.

-9	-8	-7	-6	-5	-4	-3	-2	-1	DWG SIZE	NUMBER	NAME	REMARKS	ITEM NO.	
REQUIRED PER ASSEMBLY									MATERIAL	HEAT TREAT	FINISH			
									Copper	~	Tinpl.			
									AMP	DR. <i>L. Horvath</i> 15-11-60	DATE APP. <i>M. Wintrop</i> 14/1/60	DATE REL	DATE	
									AMP-HOLLAND N.V.	CHK. <i>M. Wintrop</i> 17/1/60	DATE APP. <i>M. Wintrop</i> 11/21-60	DATE FIRST USED	Tol ±0.2	
									's-HERTOGENBOSCH HOLLAND	TYPE G.P.	PRINT DIST	LOC HA	SIZE NUMBER C-165049-E	REV G
									SCALE 4:1	WIRE SIZE 27-66	CMA	NAME	WIRE PIN P.I.D.G.	
DESCRIPTION									MAX. MIN.					