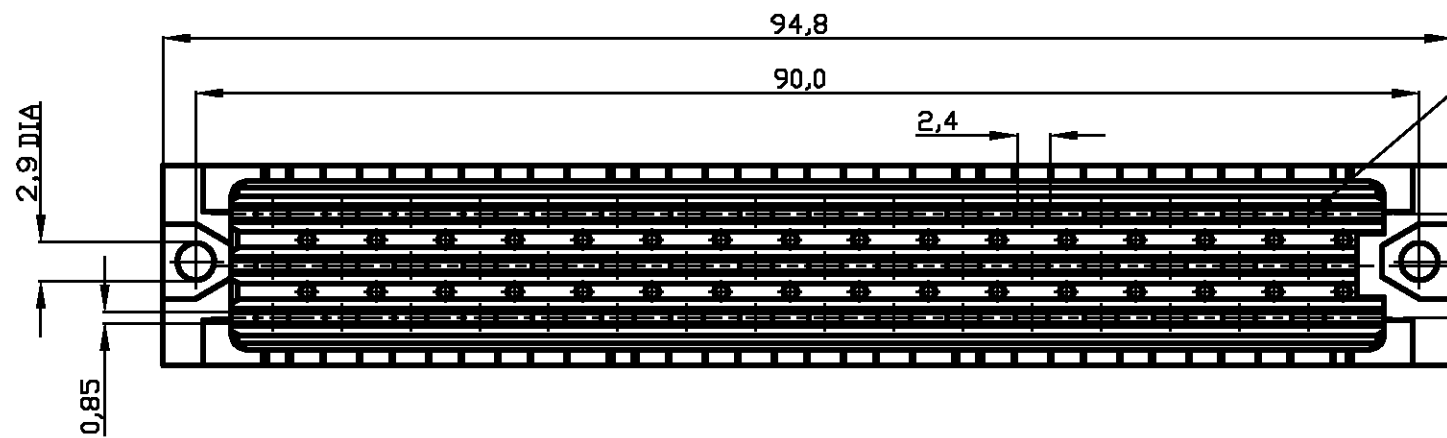
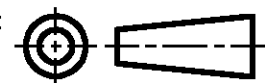


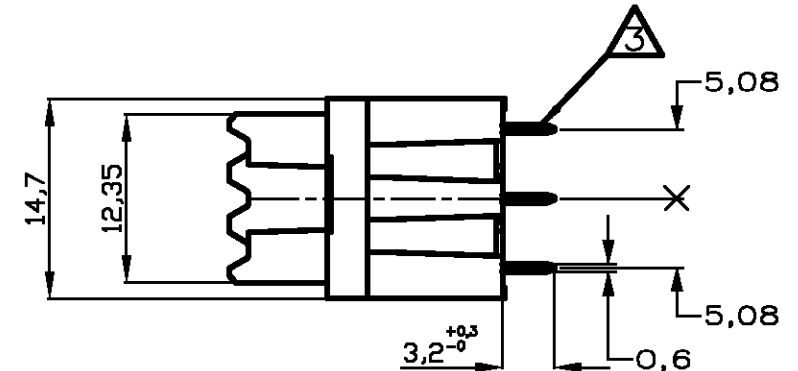
DO NOT SCALE
DIMENSIONS IN mm

METRIC

THIRD ANGLE
PROJECTION

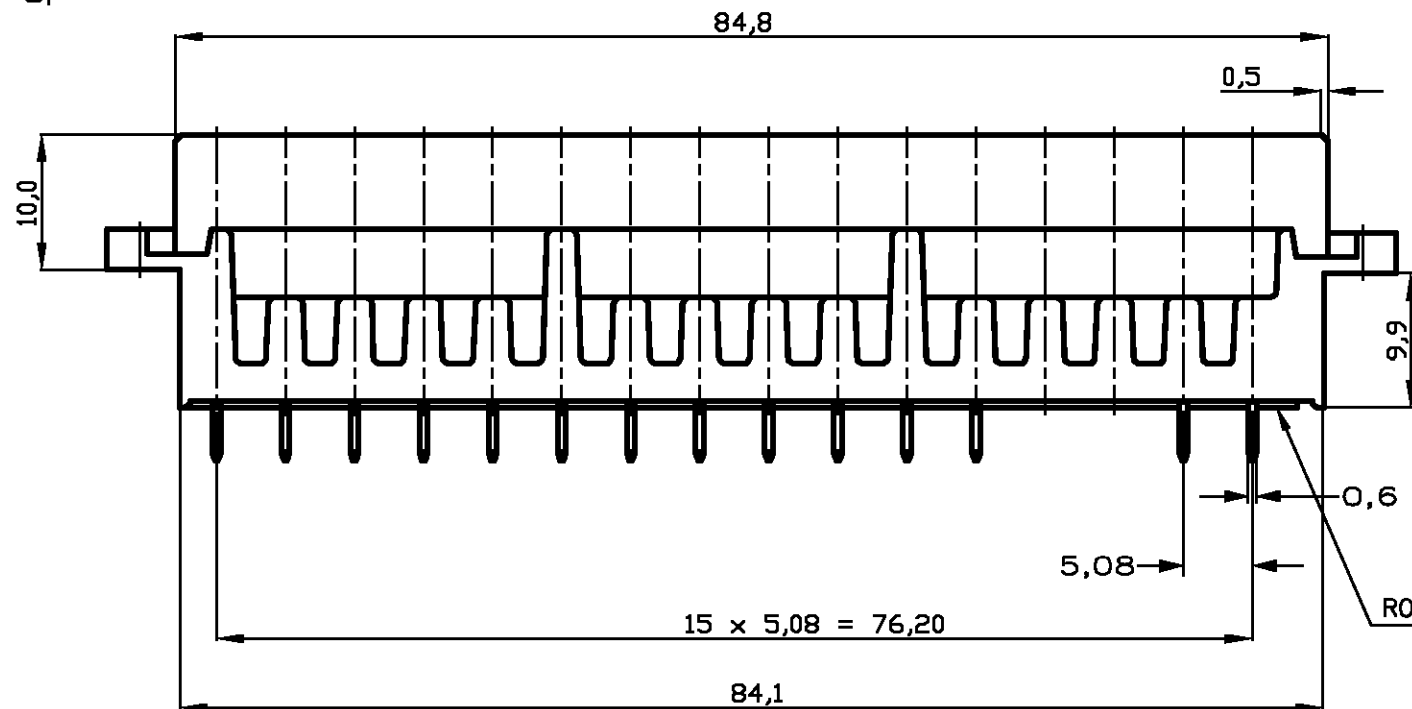


ROW Z
POS. 2



NOTES :

- 1** MATERIAL :
- HOUSING : POLYESTER G.F.
COLOUR : GREY.
- CONTACTS : PHOSPHORBRONZE.
- 2** FINISH :
-4 AT CONTACT AREA Au OVER Ni, PERFORMANCE LEVEL II, ACC. IEC 603-2. AT POST AREA Sn/Pb OVER Ni.
- 3** SOLDERPOSTS SUITABLE FOR 0,80^{+0,05} OR 1,0^{+0,1} NOM DIA HOLES.



ROWS MARKED HERE (dbz)

POS	32	30	28	26	24	22	20	18	16	14	12	10	8	6	4	2
ROW	X	X	X	X	X	X	X	X	X	X	X	X	o	o	X	X
dbz	X	X	X	X	X	X	X	X	X	X	X	X	o	o	X	X
Z	X	X	X	X	X	X	X	X	X	X	X	X	o	o	X	X

AN ASTERISK „X” DENOTES A CONTACT.

SEE NOTE 2	SEE NOTE 1	0-1377391-4
FINISH	MATERIAL	PARTNUMBER

CUSTOMER DRAWING FOR REFERENCE ONLY WILL NOT BE UPDATED			
© COPYRIGHT 20 - BY Tyco Electronics EC N.V. ALL INTERNATIONAL RIGHTS RESERVED. AMP PRODUCTS MAY BE COVERED BY U.S. AND FOREIGN AND/OR PATENTS PENDING.			
THIS DRAWING IS UNPUBLISHED RELEASED FOR PUBLICATION			
B2	SR10-0464-02	FB FB	4 nov '02
B1	SR10-0415-02	BC BC	17 sep '02
B	SR10-0399-02	BC BC	08 sep '02
A	EH00-1069-00	R.v.H R.F.	15-11-00
LTR.	REVISION RECORD	DR. CHK.	DATE
DR.: B.COLPAERT	CHK.: B.COLPAERT	APP.: B.COLPAERT	DWG.No. C-1377391
DATE: -	DATE: -	DATE: -	REV.LTR. B2 SHEET 1 of 1

tyco Electronics Tyco Electronics EC N.V. Oostkamp - Belgium
NAME
37 POS. TYPE F FEMALE SELECTIVE LOADED B.T.B. SOLDER CONNECTOR

Mouser Electronics

Authorized Distributor

Click to View Pricing, Inventory, Delivery & Lifecycle Information:

[TE Connectivity:](#)

[1377391-4](#)