

4

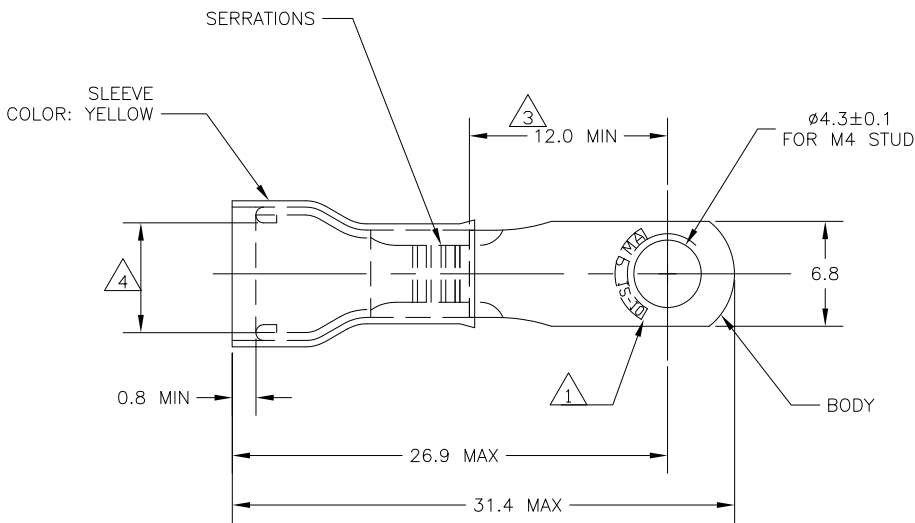
3

2

1

THIS DRAWING IS UNPUBLISHED. RELEASED FOR PUBLICATION  
 © COPYRIGHT - BY TYCO ELECTRONICS CORPORATION. ALL RIGHTS RESERVED.

| LOC | DIST | REVISIONS   |                       |         |      |    |
|-----|------|-------------|-----------------------|---------|------|----|
| P   | LTR  | DESCRIPTION | DATE                  | DWN     | APVD |    |
| G   | 14   |             |                       |         |      |    |
|     |      | C3          | REV PER ECR 08-000144 | 03JAN08 | JR   | TM |



- 1 STAMP "AMP 12-10", LOCATION APPROX AS SHOWN.
- 2 TONGUE THICKNESS IS 1.0±0.05
- 3 APPLIES TO EDGE OF METAL WIRE BARREL TO CENTER OF STUD HOLE.
- 4 WIRE INSULATION DIA RANGE 3.8-6.4
- 5 BODY - COPPER PER ASTM B-152 SLEEVE - COPPER PER ASTM B-152 INSULATION - NYLON
- 6 BODY - TIN PL PER ASTM B-545 SLEEVE - TIN PL PER ASTM B-545 INSULATION - COLOR - YELLOW
- 7 105°C MAX OPERATING TEMPERATURE.
- 8 300 VOLT MAX
- 9 2.62-6.64mm<sup>2</sup> [5,180 - 13,100 CMA] SOLID OR STRANDED

|     |              |         |
|-----|--------------|---------|
| 500 | LOOSE PIECE  | 130446  |
| QTY | PACKAGE TYPE | PART NO |

|  |  |                                 |   |                      |
|--|--|---------------------------------|---|----------------------|
| THIS DRAWING IS A CONTROLLED DOCUMENT. |  | DWN<br>jr_ruth<br>11APR07       | Tyco Electronics<br>Tyco Electronics Corporation<br>Harrisburg, PA 17105-3608 |                      |
| DIMENSIONS:<br>mm INCHES:              |  | CHK<br>T MICHELUTTI<br>11APR07  | NAME<br>T MICHELUTTI  |                      |
| TOLEANCES UNLESS OTHERWISE SPECIFIED:  |  | APVD<br>T MICHELUTTI<br>11APR07 | PRODUCT SPEC<br>-   |                      |
| 0 PLC ± -                              |  | APPLICATION SPEC<br>-           | SIZE<br>A3  |                      |
| 1 PLC ± 0.2                            |  | WEIGHT<br>-                     | CAGE CODE<br>00779  | DRAWING NO<br>130446 |
| 2 PLC ± -                              |  | MATERIAL<br>-                   | FINISH<br>-   | RESTRICTED TO<br>-   |
| 3 PLC ± -                              |  |                                 |   | CUSTOMER DRAWING     |
| 4 PLC ± -                              |  | SCALE<br>4:1                    |   | SHEET<br>1 OF 1      |
| ANGLES ± 5°                            |  | REV<br>C3                       |   |                      |