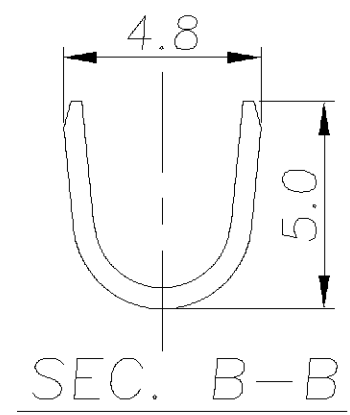
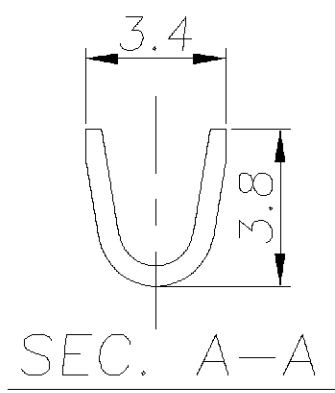
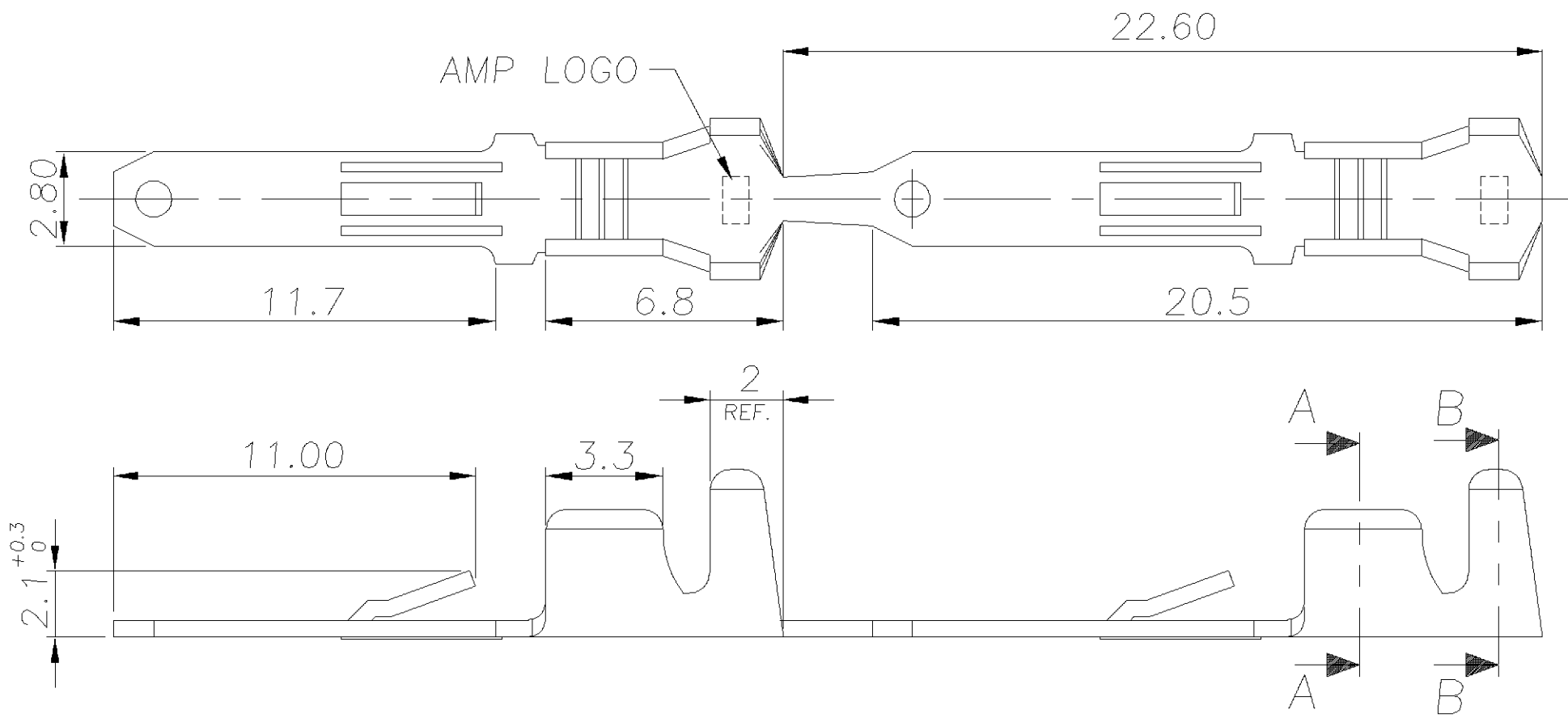


THIS INFORMATION IS CONFIDENTIAL AND IS DISCLOSED TO YOU ON CONDITION THAT NO FURTHER DISCLOSURE IS MADE BY YOU TO OTHER THAN AMP PERSONNEL WITHOUT WRITTEN AUTHORIZATION FROM AMP (TAIWAN) LTD. DIMENSIONS IN MILLIMETERS. DO NOT SCALE PRINT.

NUMBER C-1470236
3RD ANGLE PROJECTION
METRIC

- NOTES :
- MATERIAL :
TERMINAL : BRASS C2680H, T=0.5mm
 - FINISH : TIN PLATING
 - APPLACTION :
ASSEMBLED WITH P/N : 1470241 SERIES HSG
WIRE SIZE : AWG #18~#16



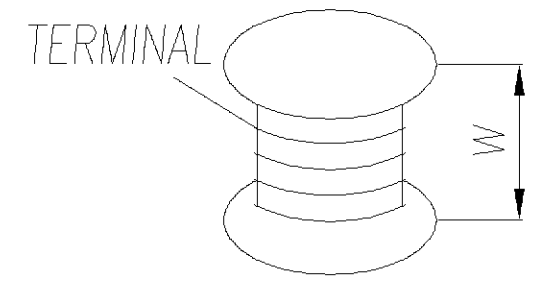
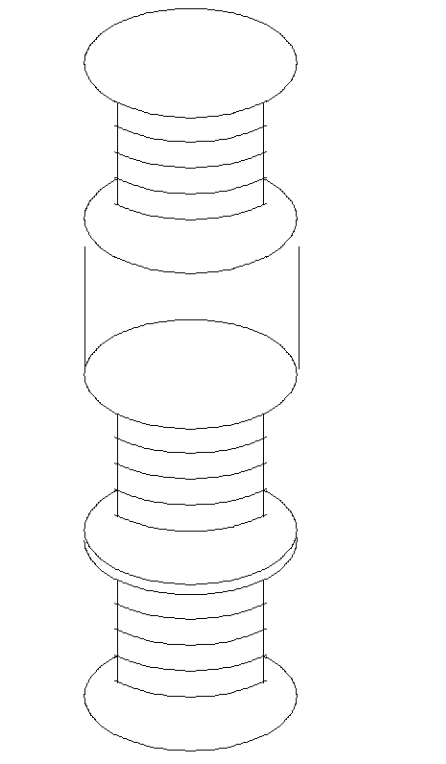
	1470236-2
	1470236-1
PLATING THICKNESS	PART NUMBER

DIMENSION : 0 PLC ±0.5 1 PLC ±0.3 2 PLC ±0.2 3 PLC ± ANGLES ±3'	DWN	S. HOU 10-APR-2002	AMP TYCO HOLDINGS (BERMUDA) VII LTD. TAIWAN BRANCH
	CHK	J. CHENG 10-APR-2002	
MATERIAL	APVD	J. WU 10-APR-2002	NAME TAB, FASTIN-FASTON, .110 SERIES
SEE NOTE	PRODUCT SPEC		
FINISH	APPLICATION SPEC		LOC DW A ₃ SIZE C-1470236 DRAWING NO REV 0
SEE NOTE	WEIGHT		SCALE SHEET 1 OF 2

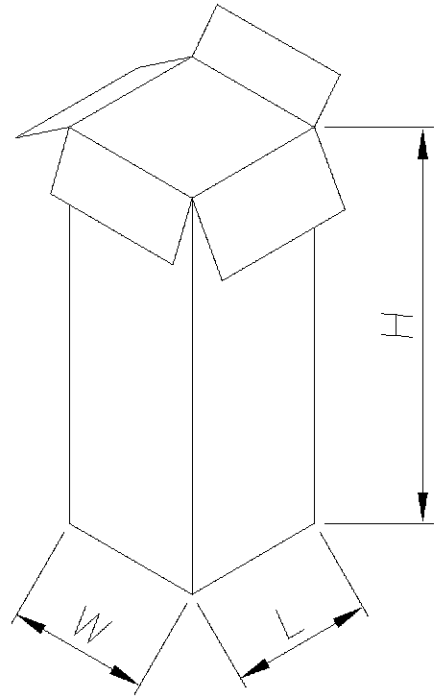
0	NEW RELEASED	FZ00-0089-02	SH JC	10APR 2002
LTR	REVISION RECORD	ECN	DWN CHK	DATE

THIS INFORMATION IS CONFIDENTIAL AND IS DISCLOSED TO YOU ON CONDITION THAT NO FURTHER DISCLOSURE IS MADE BY YOU TO OTHER THAN AMP PERSONNEL WITHOUT WRITTEN AUTHORIZATION FROM AMP (TAIWAN) LTD. DIMENSIONS IN MILLIMETERS. DO NOT SCALE PRINT.

NUMBER C-1470236
METRIC
3RD ANGLE PROJECTION



REEL



SHIPPING CARTON

NOTE :

1. DIMENSION :
 REEL : $\phi 260$, $W=150$
 SHIPPING CARTON:
 $L=275$, $W=275$, $H=480$
2. QUANTITY :
 10,000 PCS/REEL
 3 REEL/SHIPPING CARTON

PRINT DW

DIMENSION :	DWN	S. HOU	AMP TYCO HOLDINGS (BERMUDA) VII LTD. TAIWAN BRANCH		
	0 PLC \pm	10-APR-2002			NAME
1 PLC ± 0.3	CHK	J. CHENG	TAB, FASTIN-FASTON, .110 SERIES		
2 PLC ± 0.15		10-APR-2002			APVD
3 PLC ± 0.1	MATERIAL	J. WU	LOC SIZE DRAWING NO REV		
ANGLES $\pm 3'$	SEE NOTE	10-APR-2002			DW A ₃
	FINISH		PRODUCT SPEC	SCALE	SHEET
	SEE NOTE		APPLICATION SPEC	--	2 OF 2
	WEIGHT				

SEE SHEET 1	ECN	DWN	CHK	DATE
LTR	REVISION RECORD			

Mouser Electronics

Authorized Distributor

Click to View Pricing, Inventory, Delivery & Lifecycle Information:

[TE Connectivity:](#)

[1470236-1](#)