



element14

EN - For pricing and availability in your local country please visit one of the below links:

DE - Informationen zu Preisen und Verfügbarkeit in Ihrem Land erhalten Sie über die unten aufgeführten Links:

FR - Pour connaître les tarifs et la disponibilité dans votre pays, cliquez sur l'un des liens suivants:

[1-1634505-0](#)

EN
This Datasheet is presented by
the manufacturer

DE
Dieses Datenblatt wird vom
Hersteller bereitgestellt

FR
Cette fiche technique est
présentée par le fabricant

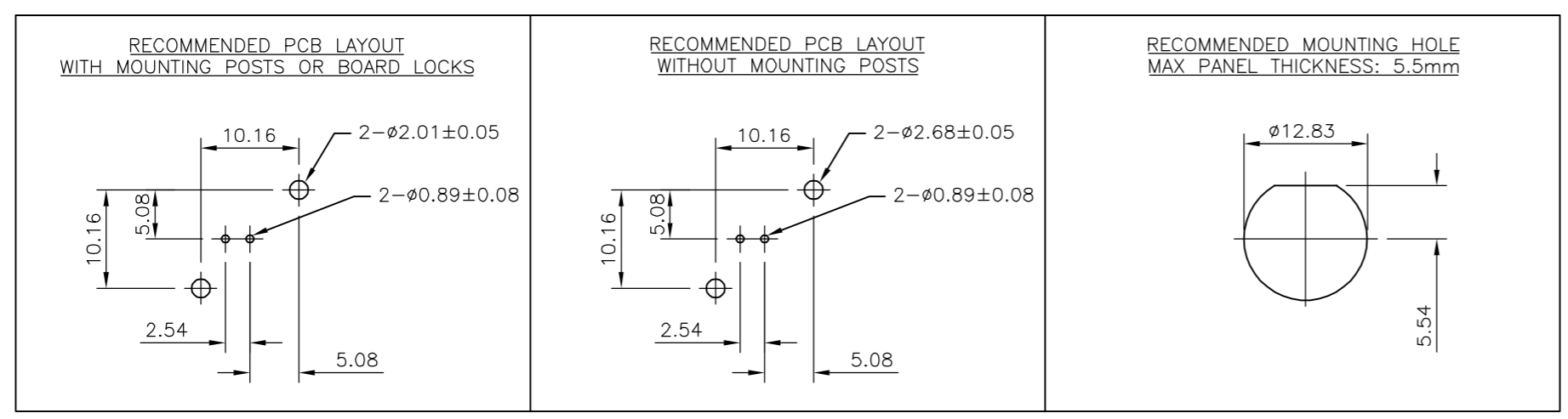
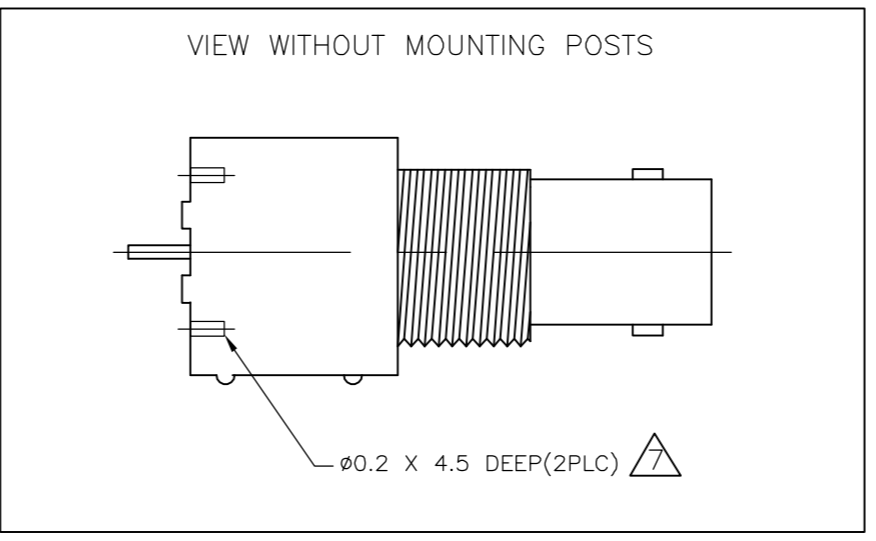
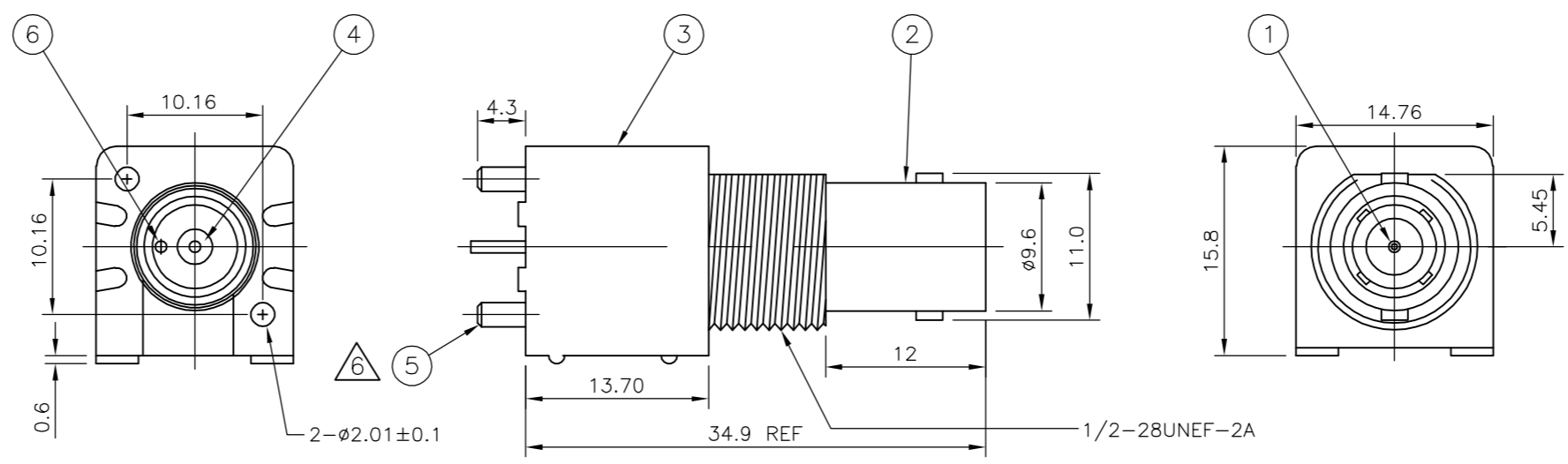
THIS DRAWING IS UNPUBLISHED. RELEASED FOR PUBLICATION AUGUST, 2005.
 © COPYRIGHT 2005 BY TYCO ELECTRONICS CORPORATION. ALL RIGHTS RESERVED.

LOC	DIST	REVISIONS					
		P	LTR	DESCRIPTION	DATE	DWN	APVD
E	B	A		FIRST ISSUE	09AUG05	JMS	FWK

- NOTES:
1. SINGLE PACK IN ACCORDANCE WITH AMP SPEC 107-3275
 2. 50 TRAY PACK IN ACCORDANCE WITH AMP SPEC 107-3275
 3. Au PLATING OVER Ni PLATING OVER Cu PLATING
 4. Ni PLATING OVER Cu PLATING
 5. TIN PLATING
 6. MOUNTING POSTS ARE OPTIONAL SEE TABLE FOR PART NUMBERS
 7. RECOMMENDED SELF-TAPPING SCREW 221108-4
 8. RECOMMENDED MOUNT NUT 1-1634816-0
 9. RECOMMENDED LOCKWASHER 1-1634817-0
 10. CHARACTERISTICS

FREQUENCY RANGE:	DC - 4GHz
NOMINAL IMPEDANCE:	50 OHMS
WORKING VOLTAGE:	500V RMS
INSULATION RESISTANCE:	5000 MOHMS
DIELECTRIC WITHSTAND VOLTAGE:	1500V RMS
CONTACT RESISTANCE:	
CENTRE CONTACT	1.5 mOHMS
OUTER CONTACT	0.2 mOHMS
 11. MECHANICAL CHARACTERISTICS

DURABILITY:	50 CYCLES
-------------	-----------
 12. FOR TECHNICAL DATA REFER TO YOUR LOCAL TYCO ELECTRONICS SALES OFFICE
 13. ALL DIMENSIONS ARE NOMINAL FOR REFERENCE ONLY UNLESS OTHERWISE STATED



QTY	PLC	QTY	PLC	QTY	PLC	QTY	PLC	MATERIAL	DESCRIPTION	ITEM
1	1	1	1	1	1	1	1	BRASS	SOLDER TAIL	6
-	-	-	-	2	2	2	2	BRASS	MOUNTING POST	5
1	1	1	1	1	1	1	1	PE-606	INSULATOR	4
1	1	1	1	1	1	1	1	PBT BLACK	HOUSING	3
1	1	1	1	1	1	1	1	ZINC ALLOY	BODY	2
1	1	1	1	1	1	1	1	BRASS	CONTACT	1
6--1	1--1	6--0	1--0					MATERIAL	DESCRIPTION	ITEM

THIS DRAWING IS A CONTROLLED DOCUMENT.

DWN	J.SANDWELL	09AUG05
CHK	S.PARLOW	09AUG05
APVD	F.WHEELER-KING	09AUG05
PRODUCT SPEC	108-3435	
APPLICATION SPEC	N/A	
MATERIAL	SEE TABLE	
FINISH	SEE TABLE	
WEIGHT	-	
CUSTOMER DRAWING		

tyco Tyco Electronics Corporation
Bideford, UK, EX39 4HE

Electronics

NAME: F.WHEELER-KING
 BNC STRAIGHT INSULATED PCB SOCKET
 50 OHM BLACK

SIZE	CAGE CODE	DRAWING NO	RESTRICTED TO
A2	00779	C=1634505	-

SCALE: NTS SHEET 1 OF 1 REV A



element14

EN - For pricing and availability in your local country please visit one of the below links:

DE - Informationen zu Preisen und Verfügbarkeit in Ihrem Land erhalten Sie über die unten aufgeführten Links:

FR - Pour connaître les tarifs et la disponibilité dans votre pays, cliquez sur l'un des liens suivants:

[1-1634505-0](#)

EN
This Datasheet is presented by
the manufacturer

DE
Dieses Datenblatt wird vom
Hersteller bereitgestellt

FR
Cette fiche technique est
présentée par le fabricant