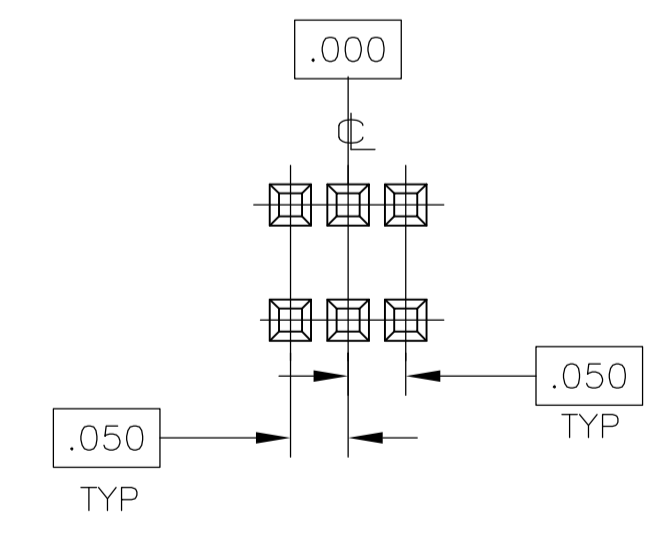
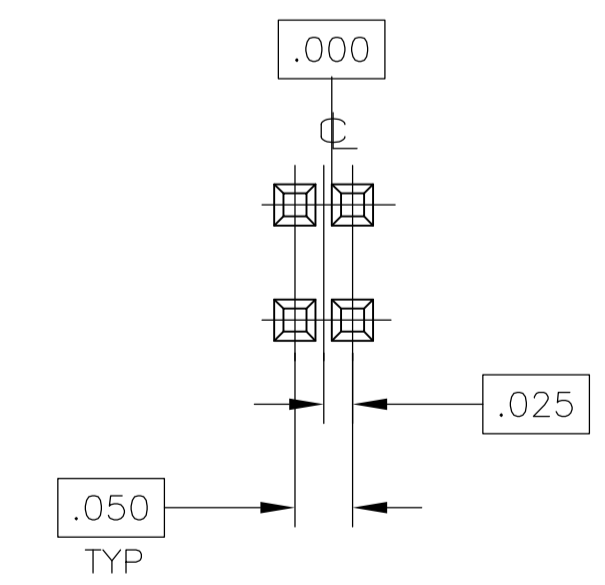


RECOMMENDED HOLE PATTERN SCALE 6:1



BASIC DIMENSIONS FOR EVEN NO OF SPACES (SEE TABLE)



BASIC DIMENSIONS FOR ODD NO OF SPACES (SEE TABLE)

- 1 CONTACT AREA PLATED WITH .000030 GOLD; SOLDER TAILS PLATED WITH .000150 TIN-LEAD, ALL OVER .000050 NICKEL
- 2 POINT OF MEASUREMENT FOR GOLD PLATING THICKNESS IS .030 FROM MATING END OF CONTACT
- 3 HOUSING: THERMOPLASTIC, COLOR-BLACK. POST: COPPER ALLOY.
- 4 THE NOTED DIMENSIONS APPLY AT THE INTERSECTION OF THE POST AND HOUSING.
- 5 WINDOWS ON SIDE OF HOUSING AND RIBS ON BOTTOM OF HOUSING ARE MOLDERS OPTION.
- 6 AMP LOGO PRESENCE AND LOCATION OPTIONAL.
- 7 CONTACT AREA PLATED WITH .000030 GOLD; SOLDER TAILS PLATED WITH .000150 TIN, ALL OVER .000050 NICKEL
- 8 FINISH: .000001 MIN GOLD ON GOLD PLATED AREA. .000150-.000250 MATTE TIN-LEAD ON TIN PLATED AREA. UNDER PLATING TO BE .000050-.000100 NICKEL ON ENTIRE CONTACT.
- 9 FINISH: .000001 MIN GOLD ON GOLD PLATED AREA. .000150-.000250 MATTE TIN ON TIN PLATED AREA. UNDER PLATING TO BE .000050-.000100 NICKEL ON ENTIRE CONTACT.
- 10 PRELIMINARY PART - NOT RELEASED FOR PRODUCTION
- 11 OBSOLETE PARTS: OBSOLETE CIS STREAMLINING PER D.RENAUD/D.SINISI
- 12 OBSOLETE

THIS DRAWING IS A CONTROLLED DOCUMENT.		DIN D. CLOUSER 1-15-87	TE Connectivity RECEPTACLE ASSEMBLY, VERTICAL, AMPMODU® System 50	
DIMENSIONS: INCHES		CHK T. KOCHER 1-15-87		
TOLERANCES UNLESS OTHERWISE SPECIFIED:		APVD -	NAME	RESTRICTED TO
0. PLC ± - 1. PLC ± - 2. PLC ± - 3. PLC ± .005 4. PLC ± - ANGLES ± ± -		PRODUCT SPEC 108-1093	SIZE A1	CAGE CODE 00779
MATERIAL		APPLICATION SPEC 114-25031	DRAWING NO 104078	REV V
SEE TABLE		WEIGHT -	CUSTOMER DRAWING	SCALE 4:1 SHEET 1 OF 2

9	.300	6	.394	14	10	8-104078-4	
	1.650	33	1.744	68	10	8-104078-3	
	1.750	35	1.844	72	10	8-104078-2	
	.350	7	.444	16	10	8-104078-1	
	.800	16	.894	34	10	8-104078-0	
	.550	11	.644	24	10	7-104078-9	
	2.450	49	2.544	100	10	7-104078-8	
	1.950	39	2.044	80	10	7-104078-7	
	1.450	29	1.544	60	10	7-104078-6	
	1.200	24	1.294	50	10	7-104078-5	
	.700	14	.794	30	10	7-104078-4	
	.200	4	.294	10	10	7-104078-3	
	.950	19	1.044	40	10	7-104078-2	
	.450	9	.544	20	10	7-104078-1	
	7	.300	6	.394	14	10	6-104078-4
		1.650	33	1.744	68	10	6-104078-3
		1.750	35	1.844	72	11	6-104078-2
.350		7	.444	16	11	6-104078-1	
.800		16	.894	34	10	6-104078-0	
.550		11	.644	24	10	5-104078-9	
2.450		49	2.544	100	10	5-104078-8	
1.950		39	2.044	80	10	5-104078-7	
1.450		29	1.544	60	10	5-104078-6	
1.200		24	1.294	50	10	5-104078-5	
.700		14	.794	30	10	5-104078-4	
.200		4	.294	10	10	5-104078-3	
.950		19	1.044	40	10	5-104078-2	
.450		9	.544	20	10	5-104078-1	
FINISH		C	B	A	NO OF POS	PART NUMBER	

8	.300	6	.394	14	10	3-104078-4	
	1.650	33	1.744	68	10	3-104078-3	
	1.750	35	1.844	72	10	3-104078-2	
	.350	7	.444	16	10	3-104078-1	
	.800	16	.894	34	10	3-104078-0	
	.550	11	.644	24	10	2-104078-9	
	2.450	49	2.544	100	10	2-104078-8	
	1.950	39	2.044	80	10	2-104078-7	
	1.450	29	1.544	60	10	2-104078-6	
	1.200	24	1.294	50	10	2-104078-5	
	.700	14	.794	30	10	2-104078-4	
	.200	4	.294	10	10	2-104078-3	
	.950	19	1.044	40	10	2-104078-2	
	.450	9	.544	20	10	2-104078-1	
	1	.300	6	.394	14	10	1-104078-4
		1.650	33	1.744	68	10	1-104078-3
		1.750	35	1.844	72	12	1-104078-2
.350		7	.444	16	12	1-104078-1	
.800		16	.894	34	10	1-104078-0	
.550		11	.644	24	10	104078-9	
2.450		49	2.544	100	10	104078-8	
1.950		39	2.044	80	10	104078-7	
1.450		29	1.544	60	10	104078-6	
1.200		24	1.294	50	10	104078-5	
.700		14	.794	30	10	104078-4	
.200		4	.294	10	10	104078-3	
.950		19	1.044	40	10	104078-2	
.450		9	.544	20	10	104078-1	
FINISH		C	B	A	NO OF POS	PART NUMBER	

THIS DRAWING IS A CONTROLLED DOCUMENT.

DIMENSIONS: INCHES	TOLERANCES UNLESS OTHERWISE SPECIFIED:	0 PLC ± -	1 PLC ± -	2 PLC ± -	3 PLC ± .005	4 PLC ± -	ANGLES ± -
MATERIAL	FINISH SEE TABLE	WEIGHT	SIZE	CAGE CODE	DRAWING NO	RESTRICTED TO	
			A1	00779	104078		

DIB: D. CLOUSER 1-15-87
 CHK: T. KOCHER 1-15-87
 APVD: -
 NAME: -
 PRODUCT SPEC: 108-1093
 APPLICATION SPEC: 114-25031
 WEIGHT: -
 SIZE: A1
 CAGE CODE: 00779
 DRAWING NO: 104078
 RESTRICTED TO: -
 CUSTOMER DRAWING
 SCALE: 4:1 SHEET 2 OF 2 REV V

STE TE Connectivity
 RECEPTACLE ASSEMBLY, VERTICAL, AMPMODU System 50

Mouser Electronics

Authorized Distributor

Click to View Pricing, Inventory, Delivery & Lifecycle Information:

[TE Connectivity:](#)

[1-104078-3](#)